

# **PASLANMAZ MARİN AKSESUARLARI**












## İÇERİK

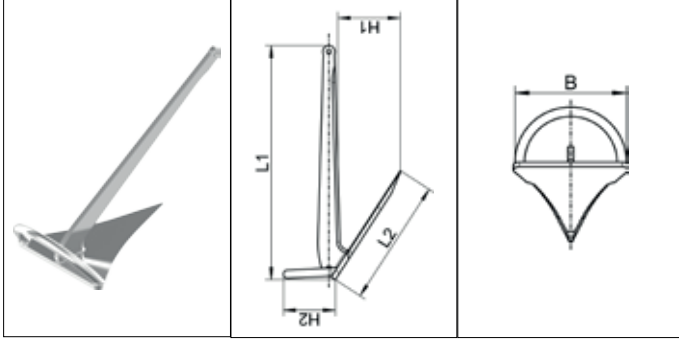
|   |    |
|---|----|
| GirişGiriş  | 2  |
| Uygun zincir ve<br>çapa ölçüleri  | 6  |
| Zincirler ve Bağlantılar  | 8  |
| D-Zincir Kilitleri, karabinalar,<br>frdöndüler  | 10 |
| Baba, kurtağzı, koç boynuzu   | 19 |
| Vardavela Bağlantı Parçaları  | 21 |
| Menteşeler, kulplar, havalandırmalar,<br>mapalar, pimler, kancalar ve halkalar  | 28 |
| Anahtarlı dolun kapakları,<br>hava ve su firarları, kelepçeler,<br>vanalar, giderler  | 53 |
| Halatlar, halat yüzükleri, radansa,<br>klemensler, liflin ve gerdirmeler  | 55 |
| Makaralar, balıkçılık ürünleri, halat<br>esnetme yayları, şemsiye çapa,<br>merdiven, yakıt doldurma ve<br>muhafaza ürünleri | 68 |
| Paslanmaz Bağlantı Elemanları   | 71 |

## WÜRTH TÜRKİYE MARİN AKSESUARLARI

|  |  |  |  |  |
|--|---|---|---|---|
| 1,60 t   | 2,00 t  | 0,90 t  | 8 kg  | 6 mm  |
| 2,80 t   | 4,00 t  | 1,40 t  | 11 kg   | 6 mm  |
| 4,80 t   | 8,00 t  | 2,30 t  | 14 kg   | 8 mm  |
| 8,40 t   | 12,00 t   | 4,20 t  | 18 kg   | 8 mm  |
| 16,00 t  | 23,00 t   | 8,00 t  | 25 kg   | 8/10 mm   |
| 23,00 t  | 30,00 t   | 11,50 t   | 30 kg   | 10 mm   |
| 32,00 t  | 44,00 t   | 16,00 t   | 42 kg   | 13 mm   |
| 42,00 t  | 54,00 t   | 21,00 t   | 52 kg   | 13 mm   |
| 56,00 t  | 72,00 t   | 30,00 t   | 60 kg   | 13 mm   |



## GTS Çapa

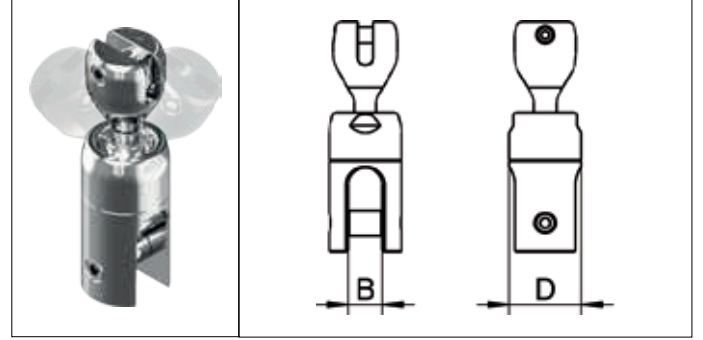


| kg | L1 mm | L2 mm | H1 mm | H2 mm | B mm | Art.-Nr.            | Amb. Ad. |
|----|-------|-------|-------|-------|------|---------------------|----------|
| 9  | 665   | 360   | 178   | 136   | 282  | <b>5176 053 360</b> | 1        |
| 11 | 738   | 397   | 198   | 152   | 312  | <b>5176 053 361</b> | 1        |
| 14 | 790   | 424   | 211   | 161   | 332  | <b>5176 053 362</b> | 1        |
| 18 | 890   | 480   | 236   | 185   | 382  | <b>5176 053 363</b> | 1        |
| 25 | 960   | 520   | 257   | 197   | 405  | <b>5176 053 364</b> | 1        |
| 30 | 1040  | 560   | 278   | 215   | 440  | <b>5176 053 365</b> | 1        |
| 42 | 1150  | 625   | 325   | 240   | 480  | <b>5176 053 366</b> | 1        |
| 52 | 1200  | 670   | 340   | 250   | 510  | <b>5176 053 367</b> | 1        |

A5/1.4571 (9-11 kg)

A4/1.4404 (14-52 kg)

## Çapa Fırdöndüsü

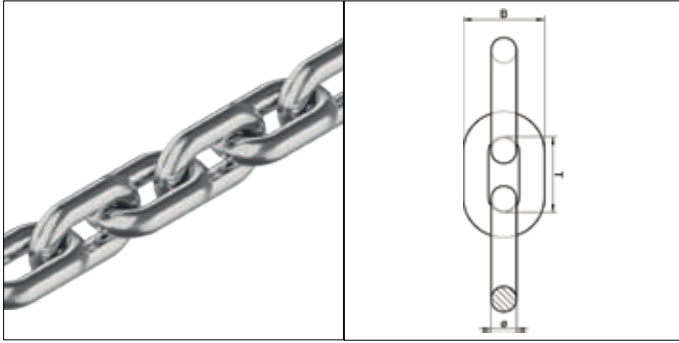


| Ø mm | D mm | B mm | SWL kN | BL kN  | Art.-Nr.            | Amb. Ad. |
|------|------|------|--------|--------|---------------------|----------|
| 6    | 38   | 16   | 6,00   | 24,00  | <b>5176 053 369</b> | 1        |
| 8    | 45   | 21   | 10,00  | 40,00  | <b>5176 053 370</b> | 1        |
| 10   | 45   | 21   | 16,00  | 64,00  | <b>5176 053 371</b> | 1        |
| 10   | 55   | 25   | 16,00  | 64,00  | <b>5176 053 372</b> | 1        |
| 13   | 55   | 25   | 26,50  | 108,00 | <b>5176 053 373</b> | 1        |
| 16   | 80   | 40   | 40,00  | 160,00 | <b>5176 053 374</b> | 1        |
| 20   | 100  | 55   | 62,50  | 250,00 | <b>5176 053 375</b> | 1        |

A4/1.4404 (6 t/m 13 Ø mm)

DUPLEX/1.4462 (6-13 Ø mm)

## Zincir, A Tipi DIN 5685



| Ø mm | B mm | T mm | kg/m | BL kN | Art.-Nr.            | Uzunluk m |
|------|------|------|------|-------|---------------------|-----------|
| 2    | 8,0  | 12,0 | 0,07 | 1,25  | <b>5176 008 002</b> | 100       |
| 3    | 12,0 | 16,0 | 0,17 | 2,80  | <b>5176 008 003</b> | 100       |
| 4    | 13,6 | 16,0 | 0,32 | 8,00  | <b>5176 008 004</b> | 100       |
| 5    | 17,0 | 18,5 | 0,50 | 12,50 | <b>5176 008 005</b> | 100       |
| 6    | 20,4 | 18,5 | 0,80 | 16,00 | <b>5176 008 006</b> | 50, 100   |
| 8    | 27,2 | 24,0 | 1,40 | 32,00 | <b>5176 008 008</b> | 50, 100   |
| 10   | 36,0 | 28,0 | 2,30 | 50,00 | <b>5176 008 010</b> | 50, 100   |
| 13   | 47,0 | 36,0 | 3,90 | 80,00 | <b>5176 008 013</b> | 100       |

A2/AISI 304

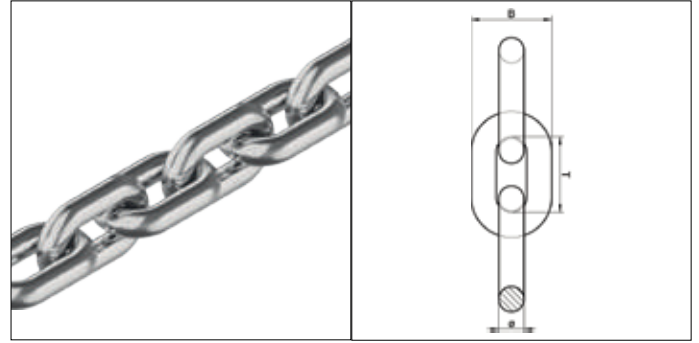
| Ø mm | B mm | T mm | kg/m | BL kN | Art.-Nr.            | Uzunluk m                   |
|------|------|------|------|-------|---------------------|-----------------------------|
| 2    | 8,0  | 12,0 | 0,07 | 1,25  | <b>5176 009 002</b> | 100                         |
| 3    | 12,0 | 16,0 | 0,17 | 2,80  | <b>5176 009 003</b> | 100                         |
| 4    | 13,6 | 16,0 | 0,32 | 8,00  | <b>5176 009 004</b> | 100                         |
| 5    | 17,0 | 18,5 | 0,50 | 12,50 | <b>5176 009 005</b> | 100                         |
| 6    | 20,4 | 18,5 | 0,80 | 16,00 | <b>5176 009 006</b> | 50, 100                     |
| 8    | 27,2 | 24,0 | 1,40 | 32,00 | <b>5176 009 008</b> | 30, 40, 50, 60, 70, 80, 100 |
| 10   | 36,0 | 28,0 | 2,30 | 50,00 | <b>5176 009 010</b> | 30, 40, 50, 60, 70, 80, 100 |

A4/AISI 316L

| Ø mm | B mm | T mm | kg/m | BL kN | Art.-Nr.            | Uzunluk m |
|------|------|------|------|-------|---------------------|-----------|
| 6    | 20,4 | 18,5 | 0,80 | 16,00 | <b>5176 008 106</b> | 100       |
| 8    | 27,2 | 24,0 | 1,40 | 32,00 | <b>5176 008 108</b> | 100       |
| 10   | 36,0 | 28,0 | 2,30 | 50,00 | <b>5176 008 110</b> | 100       |

DUPLEX / AISI 318LM

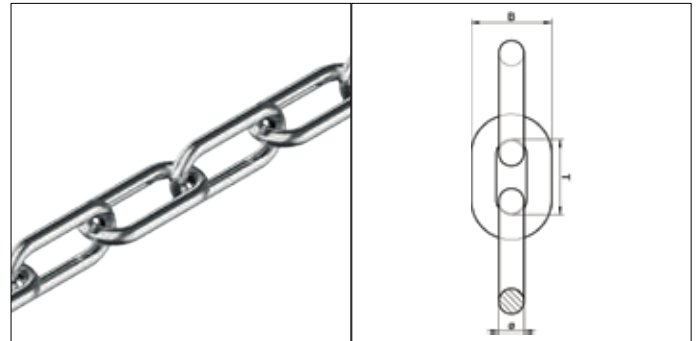
## Zincir ISO 4565



| Ø mm | B mm | T mm | kg/m | BL kN | SWL kN | Art.-Nr. 5176 064 ... | Uzunluk m |
|------|------|------|------|-------|--------|-----------------------|-----------|
| 10   | 36,0 | 30,0 | 2,20 | 50,00 | 16,0   | <b>010</b>            | 100       |
| 12   | 43,0 | 36,0 | 3,20 | 70,00 | 22,50  | <b>012</b>            | 100       |

A4/AISI 316L

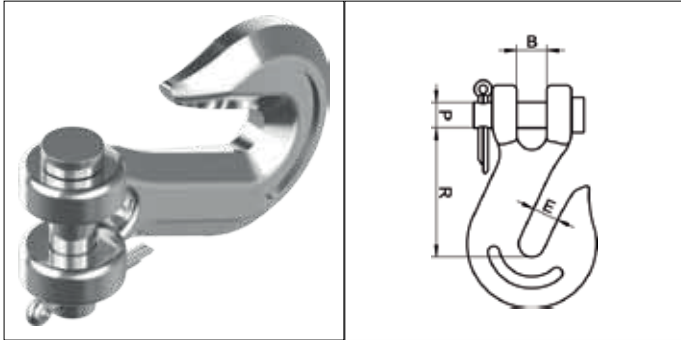
## Zincir, Uzun Aralıklı DIN 5685



| Ø mm | B mm | T mm | kg/m | BL kN | Art.-Nr.            | Uzunluk m |
|------|------|------|------|-------|---------------------|-----------|
| 2    | 7,6  | 22   | 0,06 | 1,25  | <b>5176 020 002</b> | 100       |
| 3    | 11,4 | 26   | 0,15 | 2,80  | <b>5176 020 003</b> | 100       |
| 4    | 16,8 | 32   | 0,27 | 6,00  | <b>5176 020 004</b> | 100       |
| 5    | 21,0 | 35   | 0,43 | 10,00 | <b>5176 020 005</b> | 100       |
| 6    | 25,2 | 42   | 0,63 | 12,50 | <b>5176 020 006</b> | 50, 100   |
| 7    | 29,4 | 49   | 0,86 | 19,00 | <b>5176 020 007</b> | 100       |
| 8    | 32,0 | 52   | 1,10 | 25,00 | <b>5176 020 008</b> | 50, 100   |
| 10   | 40,0 | 65   | 1,75 | 40,00 | <b>5176 020 010</b> | 50, 100   |

A4/AISI 316

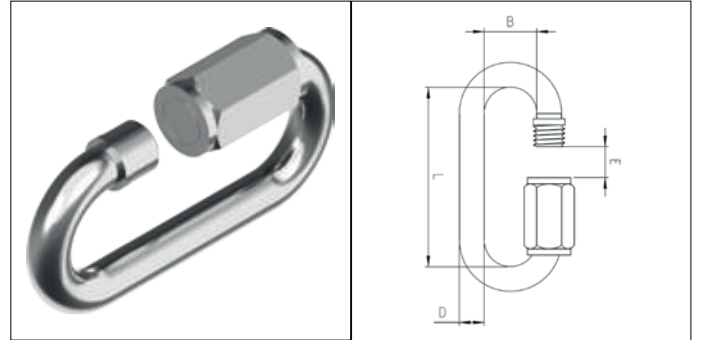
## Zincir Kancası



| Ø mm | B mm | E mm | P mm | R mm | Art.-Nr.            | Amb. Ad. |
|------|------|------|------|------|---------------------|----------|
| 6    | 11   | 9    | 9    | 46   | <b>5176 034 006</b> | 5        |
| 8    | 11   | 9    | 9    | 46   | <b>5176 034 008</b> | 5        |
| 10   | 13   | 11   | 11   | 54   | <b>5176 034 010</b> | 10       |

A4/AISI 316

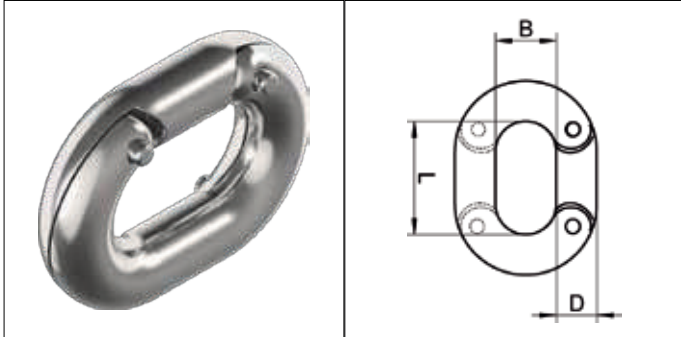
## Zincir Eki, Vidalı



| D mm | L mm | B mm | E mm | Art.-Nr.            | Amb. Ad. |
|------|------|------|------|---------------------|----------|
| 4    | 32   | 12   | 5,5  | <b>5176 017 004</b> | 50       |
| 5    | 39   | 13   | 6,5  | <b>5176 017 005</b> | 50       |
| 6    | 45   | 14   | 7,5  | <b>5176 017 006</b> | 20       |
| 8    | 58   | 17   | 10,0 | <b>5176 017 008</b> | 10       |
| 10   | 69   | 21   | 12,0 | <b>5176 017 010</b> | 10       |
| 12   | 81   | 24   | 14,5 | <b>5176 017 012</b> | 5        |

A4/AISI 316

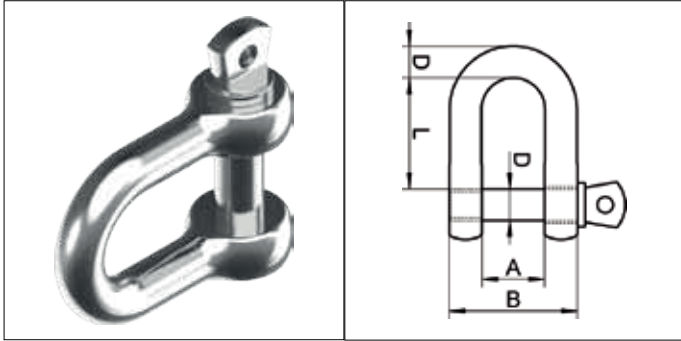
## Zincir Ek Baklası



| D mm | B mm | L mm | Art.-Nr.            | Amb. Ad. |
|------|------|------|---------------------|----------|
| 5    | 9    | 17,5 | <b>5176 021 005</b> | 10       |
| 6    | 13   | 21,0 | <b>5176 021 006</b> | 10       |
| 8    | 13   | 24,0 | <b>5176 021 008</b> | 5        |
| 10   | 15   | 29,0 | <b>5176 021 010</b> | 5        |

A4/AISI 316

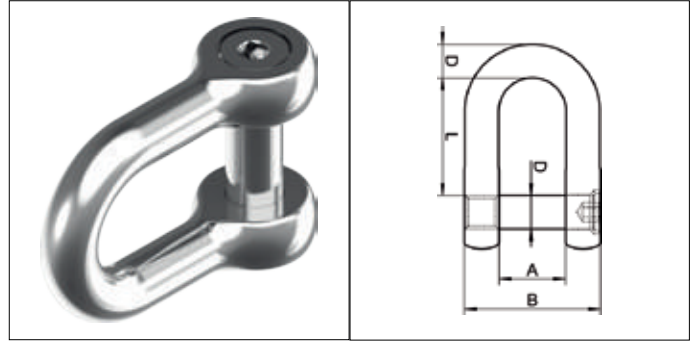
### D-Zincir Kilidi, Kısa



| D mm | A mm | B mm | L mm | BL kN  | Art.-Nr.            | Amb. Ad. |
|------|------|------|------|--------|---------------------|----------|
| 4    | 8    | 16   | 14   | 6,80   | <b>0526 000 004</b> | 50       |
| 5    | 10   | 20   | 17   | 9,80   | <b>0526 000 005</b> | 50       |
| 6    | 12   | 24   | 21   | 14,70  | <b>0526 000 006</b> | 50       |
| 7    | 14   | 28   | 24   | 25,00  | <b>0526 000 007</b> | 20       |
| 8    | 16   | 32   | 28   | 29,40  | <b>0526 000 008</b> | 10       |
| 10   | 20   | 40   | 35   | 44,10  | <b>0526 000 010</b> | 10       |
| 12   | 24   | 48   | 42   | 68,60  | <b>0526 000 012</b> | 5        |
| 14   | 28   | 56   | 45   | 90,00  | <b>0526 000 014</b> | 5        |
| 16   | 32   | 64   | 55   | 98,00  | <b>0526 000 016</b> | 5        |
| 19   | 38   | 72   | 66   | 160,00 | <b>0526 000 019</b> | 1        |
| 22   | 44   | 88   | 77   | 196,00 | <b>0526 000 022</b> | 1        |
| 25   | 50   | 100  | 87   | 235,20 | <b>0526 000 025</b> | 1        |

A4/AISI 316

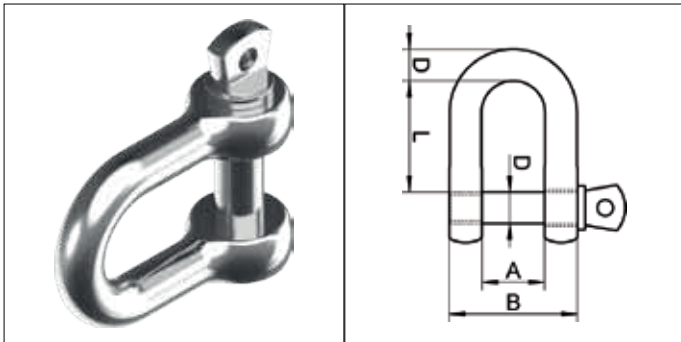
### D-Zincir Kilidi, Tornavida Ağızlı



| D mm | A mm | B mm | L mm | Art.-Nr.            | Amb. Ad. |
|------|------|------|------|---------------------|----------|
| 6    | 12   | 24   | 21   | <b>0526 000 306</b> | 10       |
| 8    | 16   | 32   | 28   | <b>0526 000 308</b> | 10       |
| 10   | 20   | 40   | 35   | <b>0526 000 310</b> | 5        |
| 12   | 24   | 48   | 42   | <b>0526 000 312</b> | 5        |

A4/AISI 316

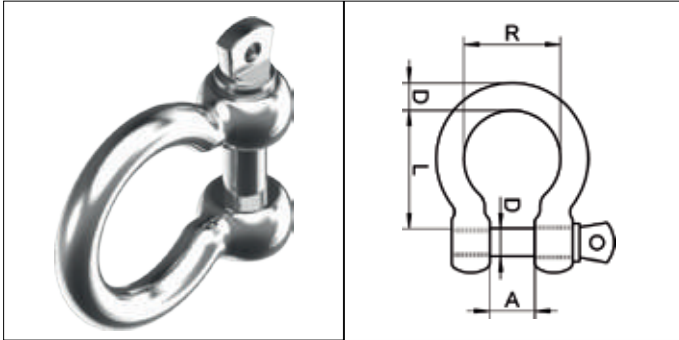
### D-Zincir Kilidi, Sabit Pimli



| D mm | A mm | B mm | L mm | BL kN | Art.-Nr.            | Amb. Ad. |
|------|------|------|------|-------|---------------------|----------|
| 4    | 8    | 16   | 14   | 6,00  | <b>0526 000 704</b> | 10       |
| 5    | 10   | 20   | 17   | 8,00  | <b>0526 000 705</b> | 10       |
| 6    | 12   | 24   | 21   | 12,00 | <b>0526 000 706</b> | 10       |
| 8    | 16   | 32   | 28   | 20,00 | <b>0526 000 708</b> | 10       |
| 10   | 20   | 40   | 35   | 40,00 | <b>0526 000 710</b> | 5        |
| 12   | 24   | 48   | 42   | 48,00 | <b>0526 000 712</b> | 5        |

A4/AISI 316

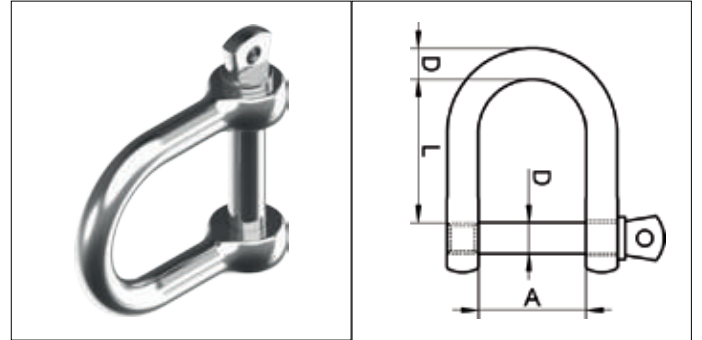
### Zincir Kilidi, Omega



| D mm | A mm | R mm | L mm | BL kN | Art.-Nr.            | Amb. Ad. |
|------|------|------|------|-------|---------------------|----------|
| 4    | 8    | 14   | 14   | 6,80  | <b>0526 000 204</b> | 20       |
| 5    | 10   | 17   | 17   | 9,80  | <b>0526 000 205</b> | 20       |
| 6    | 12   | 21   | 21   | 14,70 | <b>0526 000 206</b> | 20       |
| 8    | 16   | 28   | 28   | 24,50 | <b>0526 000 208</b> | 10       |
| 10   | 20   | 35   | 35   | 39,20 | <b>0526 000 210</b> | 10       |
| 12   | 24   | 42   | 42   | 58,80 | <b>0526 000 212</b> | 5        |
| 16   | 32   | 56   | 56   | 98,00 | <b>0526 000 216</b> | 1        |

A4/AISI 316

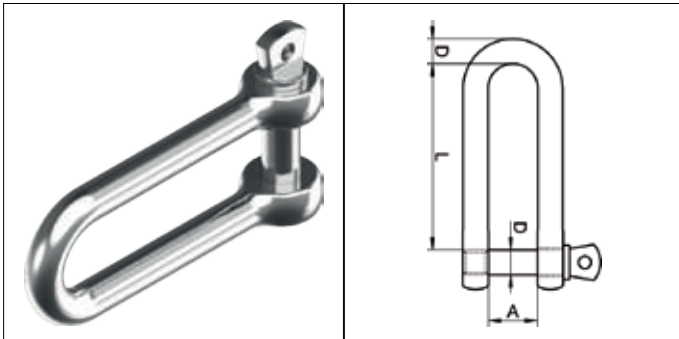
### Geniş, D-Zincir Kilidi



| D mm | A mm | L mm | Art.-Nr.            | Amb. Ad. |
|------|------|------|---------------------|----------|
| 5    | 25   | 23   | <b>0526 000 405</b> | 10       |
| 6    | 25   | 35   | <b>0526 000 406</b> | 10       |
| 8    | 28   | 37   | <b>0526 000 408</b> | 10       |
| 10   | 40   | 60   | <b>0526 000 410</b> | 10       |

A4/AISI 316

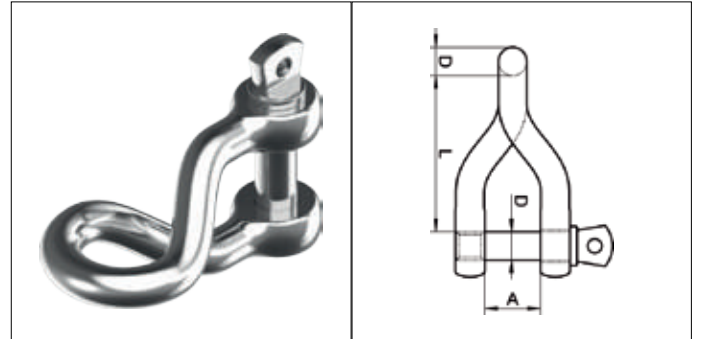
### Uzun, D-Zincir Kilidi



| D mm | A mm | L mm | BL kN | Art.-Nr.            | Amb. Ad. |
|------|------|------|-------|---------------------|----------|
| 4    | 8    | 32   | 6,50  | <b>0526 000 104</b> | 20       |
| 5    | 10   | 37   | 8,00  | <b>0526 000 105</b> | 20       |
| 6    | 12   | 45   | 12,00 | <b>0526 000 106</b> | 20       |
| 8    | 16   | 60   | 20,00 | <b>0526 000 108</b> | 10       |
| 10   | 20   | 75   | 40,00 | <b>0526 000 110</b> | 5        |
| 12   | 24   | 90   | 48,00 | <b>0526 000 112</b> | 5        |

A4/AISI 316

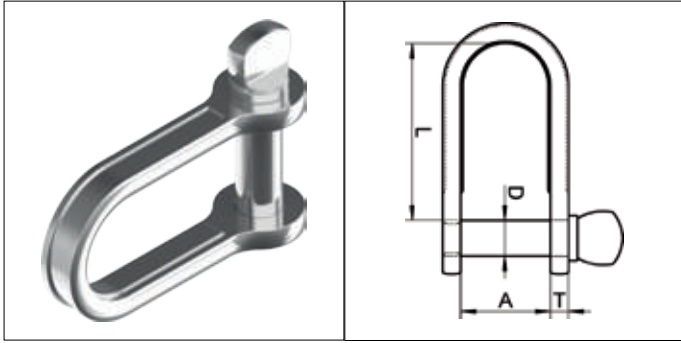
### Zincir Kilidi, Burgu



| D mm | A mm | L mm | BL kN | Art.-Nr.            | Amb. Ad. |
|------|------|------|-------|---------------------|----------|
| 4    | 8    | 23   | 6,50  | <b>0526 000 504</b> | 10       |
| 5    | 10   | 27   | 9,80  | <b>0526 000 505</b> | 10       |
| 6    | 12   | 33   | 14,70 | <b>0526 000 506</b> | 10       |
| 8    | 16   | 44   | 24,50 | <b>0526 000 508</b> | 10       |
| 10   | 20   | 55   | 44,10 | <b>0526 000 510</b> | 10       |
| 12   | 24   | 66   | 68,60 | <b>0526 000 512</b> | 5        |

A4/AISI 316

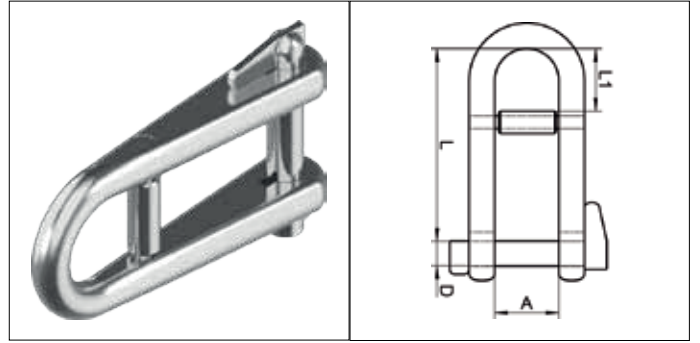
### D-Zincir Kilidi, Omuzlu



| D mm | A mm | L mm | T mm | Art.-Nr.            | Amb. Ad. |
|------|------|------|------|---------------------|----------|
| 4    | 10   | 15   | 1,5  | <b>0526 000 604</b> | 20       |
| 5    | 12   | 18   | 2,0  | <b>0526 000 605</b> | 20       |
| 6    | 15   | 25   | 4,0  | <b>0526 000 606</b> | 10       |

A4/AISI 316

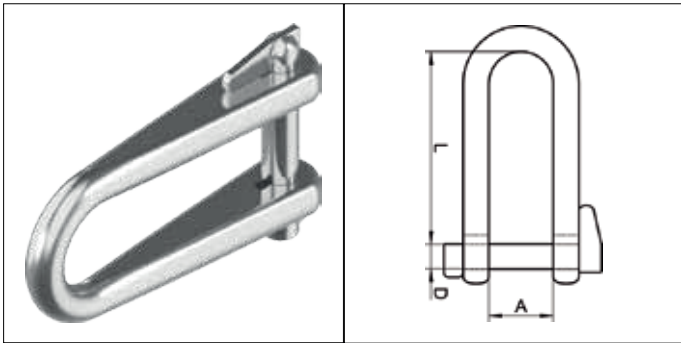
### Zincir Kilidi, Çubuklu, Anahtar Pimli



| D mm | A mm | L mm | Art.-Nr.            | Amb. Ad. |
|------|------|------|---------------------|----------|
| 5    | 12   | 38   | <b>0526 000 905</b> | 10       |
| 6    | 15   | 45   | <b>0526 000 906</b> | 10       |
| 8    | 20   | 60   | <b>0526 000 908</b> | 10       |

A4/AISI 316

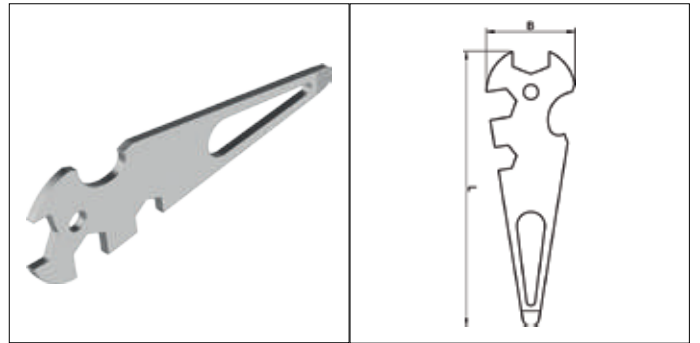
### Zincir Kilidi, Anahtar Pimli



| D mm | A mm | L mm | Art.-Nr.            | Amb. Ad. |
|------|------|------|---------------------|----------|
| 5    | 12   | 38   | <b>0526 000 805</b> | 10       |
| 6    | 15   | 45   | <b>0526 000 806</b> | 10       |
| 8    | 20   | 60   | <b>0526 000 808</b> | 10       |

A4/AISI 316

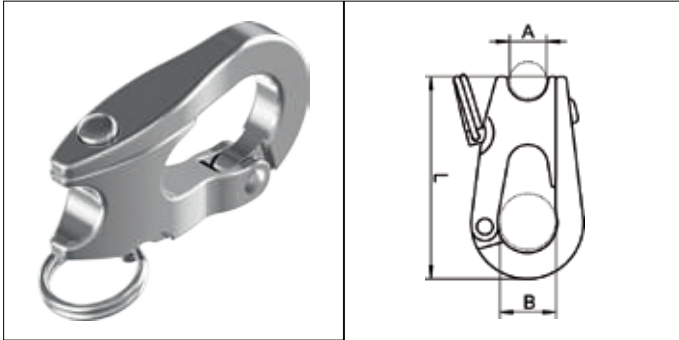
### Zincir Kilidi Anahtarı



| L mm | Art.-Nr.            | Amb. Ad. |
|------|---------------------|----------|
| 100  | <b>5176 053 404</b> | 5        |

A2/AISI 304

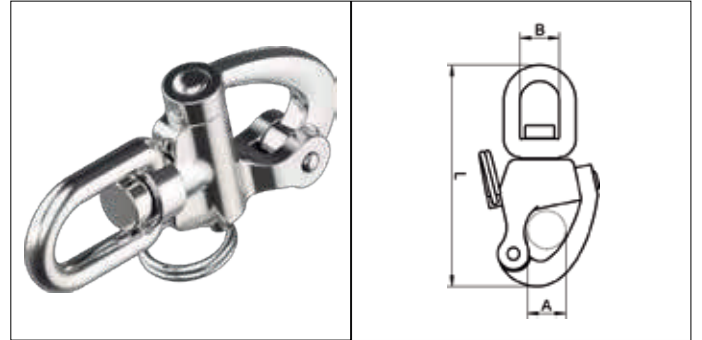
### Mandar Kilidi



| L mm | A mm | B mm | Art.-Nr.            | Amb. Ad. |
|------|------|------|---------------------|----------|
| 52   | 12   | 10   | <b>0526 002 701</b> | 5        |
| 66   | 15   | 14   | <b>0526 002 702</b> | 5        |
| 96   | 22   | 18   | <b>0526 002 703</b> | 5        |

A4/AISI 316

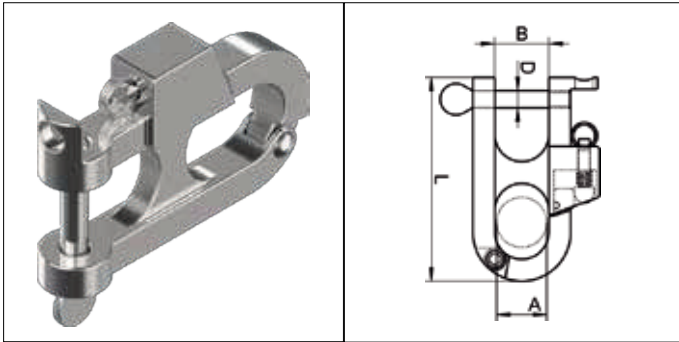
### Mandar Kilidi Kanca/Göz



| L mm | A mm | B mm | Art.-Nr.            | Amb. Ad. |
|------|------|------|---------------------|----------|
| 68   | 12   | 12   | <b>0526 003 001</b> | 5        |
| 87   | 16   | 14   | <b>0526 003 002</b> | 5        |
| 128  | 22   | 22   | <b>0526 003 003</b> | 5        |

A4/AISI 316

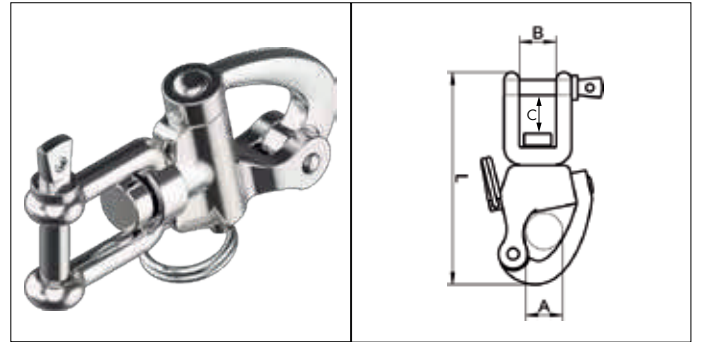
### Mandar Kilidi, Pimli



| D mm | A mm | B mm | L mm | Art.-Nr.            | Amb. Ad. |
|------|------|------|------|---------------------|----------|
| 5    | 15   | 16   | 60   | <b>0526 002 801</b> | 5        |

A4/AISI 316

### Mandar Kilidi, Fırdöndülü



| L mm | A mm | B mm | C mm | Art.-Nr.            | Amb. Ad. |
|------|------|------|------|---------------------|----------|
| 68   | 12   | 12   | 12   | <b>0526 003 101</b> | 5        |
| 87   | 16   | 13   | 13   | <b>0526 003 102</b> | 5        |
| 128  | 22   | 19   | 16   | <b>0526 003 103</b> | 5        |

A4/AISI 316

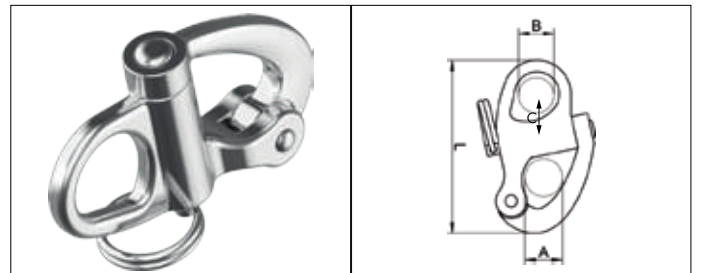
### Mandar Kilidi, Tetikli



| L mm | A mm | B mm | Art.-Nr.            | Amb. Ad. |
|------|------|------|---------------------|----------|
| 84   | 18   | 12   | <b>0526 002 901</b> | 5        |
| 102  | 22   | 15   | <b>0526 002 902</b> | 5        |
| 126  | 27   | 18   | <b>0526 002 903</b> | 5        |

A4/AISI 316

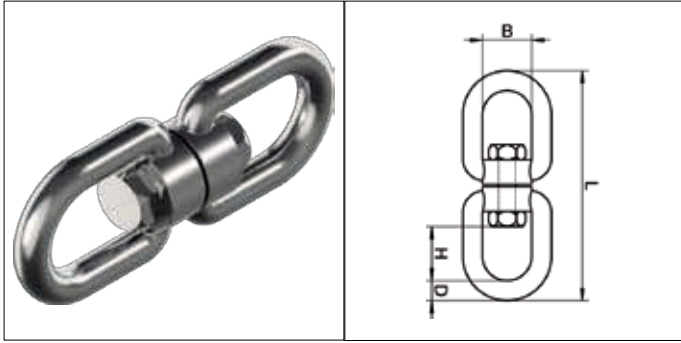
### Mandar Kilidi



| L mm | A mm | B mm | Art.-Nr.            | Amb. Ad. |
|------|------|------|---------------------|----------|
| 52   | 12   | 9    | <b>0526 003 201</b> | 10       |
| 66   | 16   | 12   | <b>0526 003 202</b> | 5        |
| 96   | 22   | 16   | <b>0526 003 203</b> | 5        |

A4/AISI 316

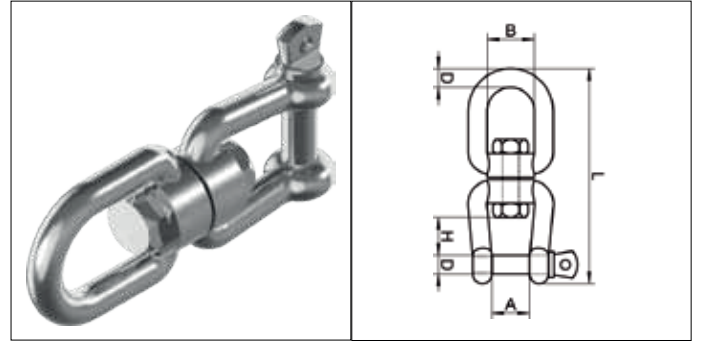
### Fırdöndü, Göz/Göz



| D mm | L mm | H mm | B mm | Art.-Nr.            | Amb. Ad. |
|------|------|------|------|---------------------|----------|
| 5    | 60   | 13   | 13   | <b>0526 002 405</b> | 10       |
| 6    | 65   | 15   | 15   | <b>0526 002 406</b> | 10       |
| 8    | 90   | 22   | 20   | <b>0526 002 408</b> | 10       |
| 13   | 154  | 35   | 32   | <b>0526 002 413</b> | 1        |
| 16   | 188  | 45   | 39   | <b>0526 002 416</b> | 1        |

A4/AISI 316

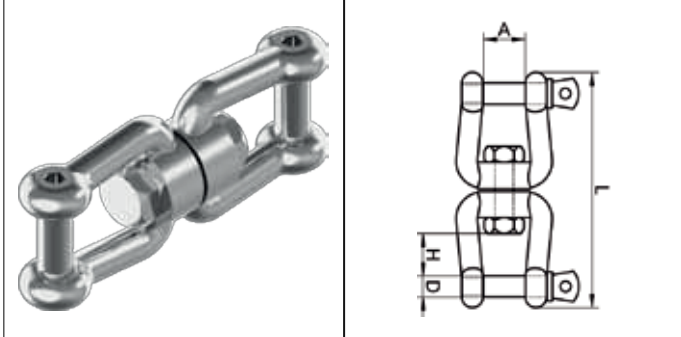
### Fırdöndü, Kilitli



| D mm | Tip | L mm | A mm | H mm | B mm | Art.-Nr.            | Amb. Ad. |
|------|-----|------|------|------|------|---------------------|----------|
| 6    | A   | 66   | 12   | 11   | 15   | <b>0526 002 506</b> | 10       |
| 8    | A   | 92   | 16   | 16   | 20   | <b>0526 002 508</b> | 10       |
| 10   | A   | 118  | 20   | 22   | 24   | <b>0526 002 510</b> | 1        |
| 13   | A   | 152  | 26   | 28   | 32   | <b>0526 002 513</b> | 1        |
| 16   | A   | 188  | 32   | 37   | 39   | <b>0526 002 516</b> | 1        |
| 19   | A   | 229  | 38   | 45   | 41   | <b>0526 002 519</b> | 1        |

A4/AISI 316

### Fırdöndü, Çift Kilitli



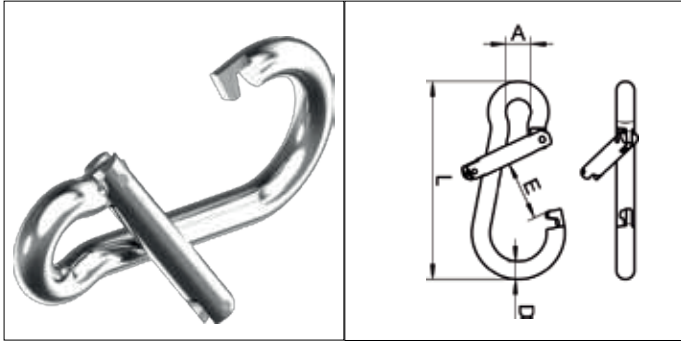
| D mm | Tip | L mm | A mm | H mm | Art.-Nr.            | Amb. Ad. |
|------|-----|------|------|------|---------------------|----------|
| 6    | A   | 66   | 12   | 12   | <b>0526 002 601</b> | 10       |
| 8    | A   | 94   | 16   | 16   | <b>0526 002 603</b> | 10       |
| 10   | A   | 118  | 20   | 22   | <b>0526 002 605</b> | 1        |
| 13   | A   | 152  | 26   | 28   | <b>0526 002 607</b> | 1        |
| 16   | A   | 188  | 32   | 37   | <b>0526 002 609</b> | 1        |
| 19   | A   | 229  | 38   | 44   | <b>0526 002 610</b> | 1        |
| 6    | B   | 66   | 12   | 12   | <b>0526 002 602</b> | 10       |
| 8    | B   | 94   | 16   | 16   | <b>0526 002 604</b> | 10       |
| 10   | B   | 118  | 20   | 22   | <b>0526 002 606</b> | 1        |
| 13   | B   | 152  | 26   | 28   | <b>0526 002 608</b> | 1        |

A4/AISI 316

Tip A: Kilitli

Tip B: Kilitli

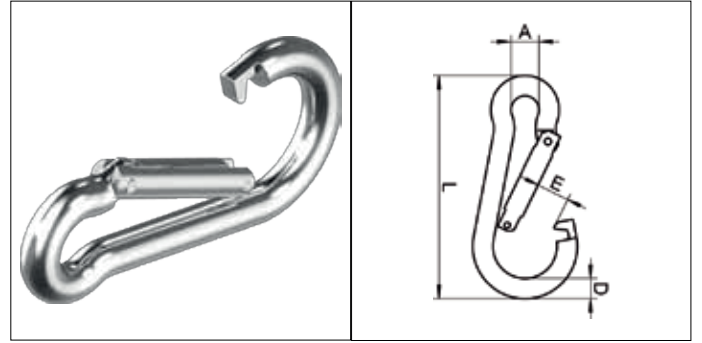
## Karabina, Geniş Açılı



| D mm | L mm | A mm | E mm | Art.-Nr.            | Amb. Ad. |
|------|------|------|------|---------------------|----------|
| 8    | 80   | 12   | 19   | <b>0526 001 208</b> | 20       |
| 10   | 100  | 15   | 22   | <b>0526 001 210</b> | 10       |
| 11   | 120  | 18   | 26   | <b>0526 001 211</b> | 10       |

A4/AISI 316

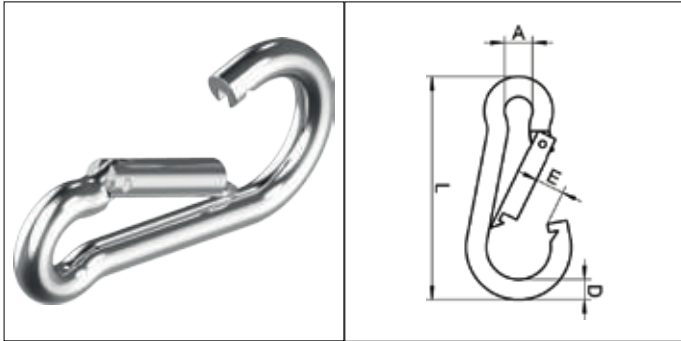
## Karabina, Özel Kilitlenmeli



| D mm | L mm | A mm | E mm | Art.-Nr.            | Amb. Ad. |
|------|------|------|------|---------------------|----------|
| 5    | 50   | 8    | 7    | <b>0526 002 105</b> | 10       |
| 6    | 60   | 9    | 8    | <b>0526 002 106</b> | 5        |
| 7    | 70   | 10   | 8    | <b>0526 002 107</b> | 5        |
| 8    | 80   | 12   | 9    | <b>0526 002 108</b> | 10       |
| 10   | 100  | 15   | 12   | <b>0526 002 110</b> | 10       |
| 11   | 120  | 18   | 16   | <b>0526 002 111</b> | 10       |
| 13   | 160  | 22   | 25   | <b>0526 002 113</b> | 10       |

A4/AISI 316, karabina A2/AISI 304

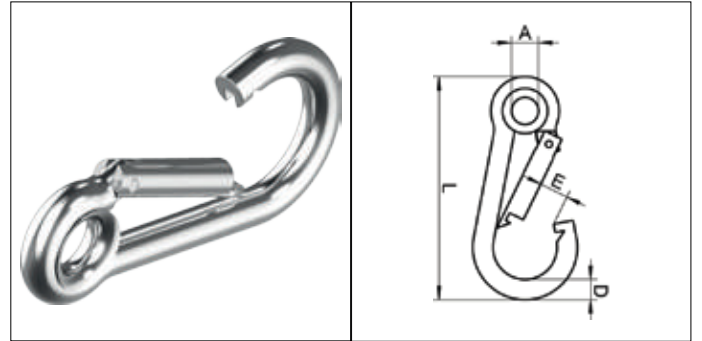
## Karabina



| D mm | L mm | A mm | E mm | Art.-Nr.            | Amb. Ad. |
|------|------|------|------|---------------------|----------|
| 4*   | 40   | 6,5  | 6    | <b>0524 034 04</b>  | 20       |
| 5    | 50   | 8,0  | 7    | <b>0524 140 5</b>   | 10       |
| 6    | 60   | 9,0  | 8    | <b>0524 140 6</b>   | 10       |
| 7    | 70   | 10,0 | 9    | <b>0526 002 007</b> | 20       |
| 8    | 80   | 12,0 | 9    | <b>0524 140 8</b>   | 20       |
| 10   | 100  | 15,0 | 12   | <b>0526 002 010</b> | 10       |
| 11   | 120  | 18,0 | 16   | <b>0526 002 011</b> | 10       |
| 12   | 140  | 20,0 | 19   | <b>0526 002 012</b> | 5        |

A4/AISI 316, karabina A2/AISI 304

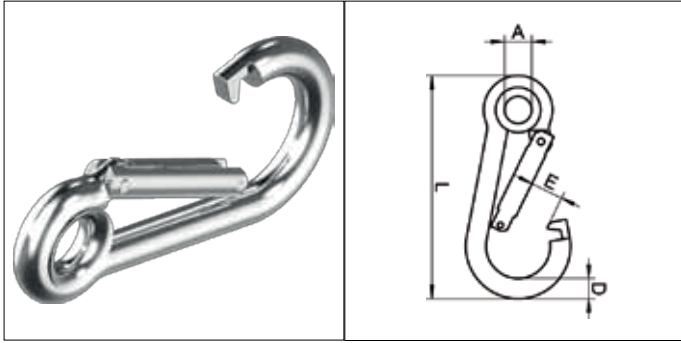
## Karabina, Mapalı



| D mm | L mm | A mm | E mm | Art.-Nr.            | Amb. Ad. |
|------|------|------|------|---------------------|----------|
| 4    | 40   | 5    | 6    | <b>0526 002 204</b> | 20       |
| 5    | 50   | 6    | 7    | <b>0526 002 205</b> | 20       |
| 6    | 60   | 7    | 8    | <b>0526 002 206</b> | 20       |
| 7    | 70   | 9    | 8    | <b>0526 002 207</b> | 20       |
| 8    | 80   | 10   | 9    | <b>0526 002 208</b> | 20       |
| 10   | 100  | 13   | 12   | <b>0526 002 210</b> | 10       |
| 11   | 120  | 15   | 16   | <b>0526 002 211</b> | 10       |
| 12   | 140  | 18   | 19   | <b>0526 002 212</b> | 5        |

A4/AISI 316, karabina A2/AISI 304

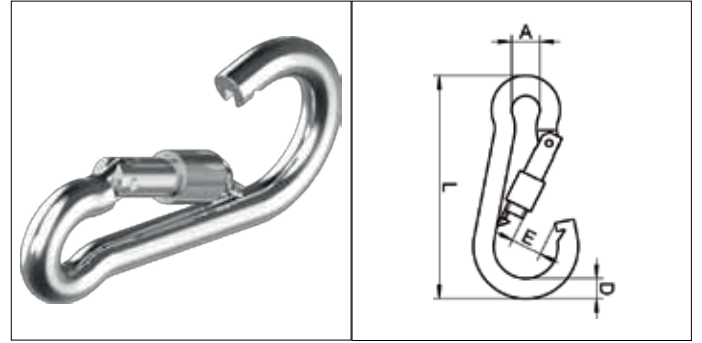
### Karabina, Özel Kilitlenmeli, Mapalı



| D mm | L mm | A mm | E mm | Art.-Nr.            | Amb. Ad. |
|------|------|------|------|---------------------|----------|
| 5    | 50   | 7    | 7    | <b>0526 002 305</b> | 50       |
| 6    | 60   | 8    | 8    | <b>0526 002 306</b> | 20       |
| 7    | 70   | 9    | 8    | <b>0526 002 307</b> | 20       |
| 8    | 80   | 10   | 9    | <b>0526 002 308</b> | 20       |
| 10   | 100  | 13   | 12   | <b>0526 002 310</b> | 10       |
| 11   | 120  | 15   | 16   | <b>0526 002 311</b> | 10       |
| 13   | 160  | 20   | 25   | <b>0526 002 313</b> | 10       |

A4/AISI 316, karabina A2/AISI 304

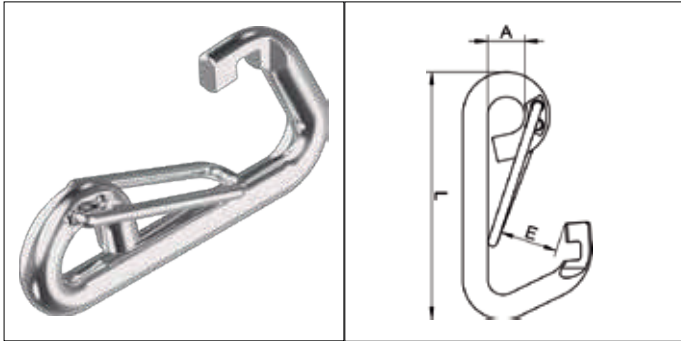
### Karabina, Emniyet Somunlu



| D mm | L mm | A mm | E mm | Art.-Nr.            | Amb. Ad. |
|------|------|------|------|---------------------|----------|
| 5    | 50   | 8    | 7    | <b>0526 001 005</b> | 50       |
| 6    | 60   | 9    | 8    | <b>0526 001 006</b> | 20       |
| 8    | 80   | 12   | 9    | <b>0526 001 008</b> | 20       |
| 10   | 100  | 15   | 12   | <b>0526 001 010</b> | 10       |
| 11   | 120  | 18   | 16   | <b>0526 001 011</b> | 10       |

A4/AISI 316, karabina A2/AISI 304

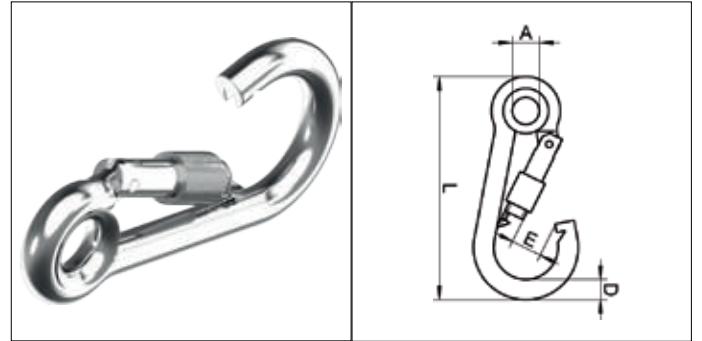
### Karabina, Yaylı



| D mm | L mm | A mm | E mm | Art.-Nr.            | Amb. Ad. |
|------|------|------|------|---------------------|----------|
| 6    | 60   | 10   | 10   | <b>0526 003 901</b> | 20       |
| 8    | 80   | 12   | 16   | <b>0526 003 902</b> | 20       |
| 10   | 100  | 16   | 19   | <b>0526 004 903</b> | 10       |

A4/AISI 316, karabina A2/AISI 304

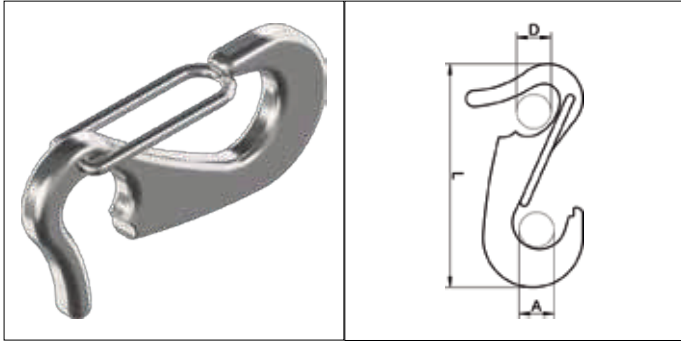
### Karabina, Emniyet Somunlu, Mapalı



| D mm | L mm | A mm | E mm | Art.-Nr.            | Amb. Ad. |
|------|------|------|------|---------------------|----------|
| 6    | 60   | 7    | 8    | <b>0526 001 106</b> | 20       |
| 8    | 80   | 10   | 9    | <b>0526 001 108</b> | 20       |
| 10   | 100  | 13   | 12   | <b>0526 001 110</b> | 10       |
| 11   | 120  | 15   | 16   | <b>0526 001 111</b> | 10       |

Spring Bow A4/AISI316, karabina A2/AISI 304

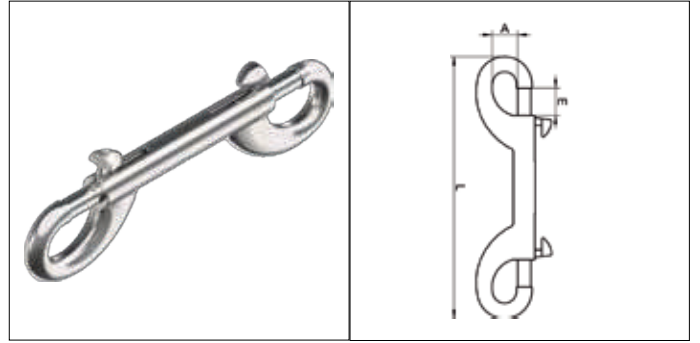
### Karabina, Yaylı, Açık Uçlu



| A mm | B mm | L mm | Art.-Nr.            | Amb. Ad. |
|------|------|------|---------------------|----------|
| 7,5  | 6,5  | 50   | <b>0526 001 607</b> | 5        |
| 9,0  | 8,0  | 55   | <b>0526 001 609</b> | 5        |
| 11,0 | 10,0 | 65   | <b>0526 001 611</b> | 5        |

A4/AISI 316, karabina A2/AISI 304

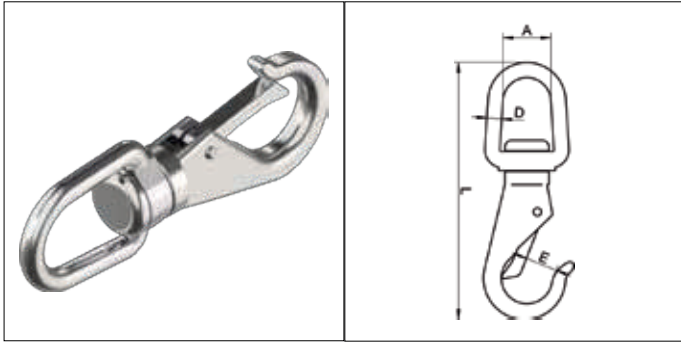
### Kanca, Çift Taraflı



| L mm | m mm | A mm | Art.-Nr.            | Amb. Ad. |
|------|------|------|---------------------|----------|
| 90   | 6    | 6    | <b>0526 001 806</b> | 5        |
| 100  | 10   | 10   | <b>0526 001 810</b> | 5        |
| 120  | 12   | 11   | <b>0526 001 812</b> | 5        |

A4/AISI 316, karabina A2/AISI 304

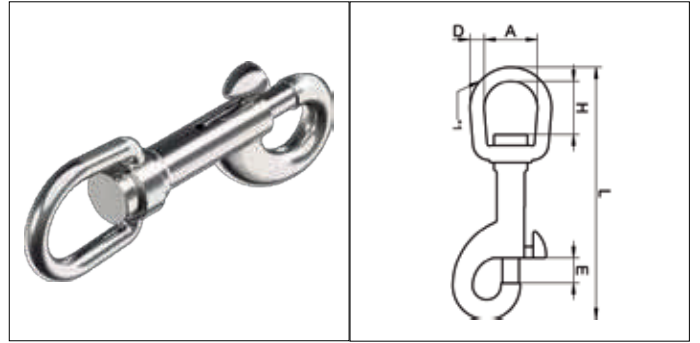
### Yaylı Kilit, Fırdöndülü



| L mm | D mm | E mm | A mm | Art.-Nr.            | Amb. Ad. |
|------|------|------|------|---------------------|----------|
| 85   | 5    | 10   | 16   | <b>0526 001 705</b> | 10       |
| 100  | 6    | 12   | 19   | <b>0526 001 706</b> | 10       |
| 113  | 7    | 15   | 22   | <b>0526 001 707</b> | 5        |

A4/AISI 316, karabina A2/AISI 304

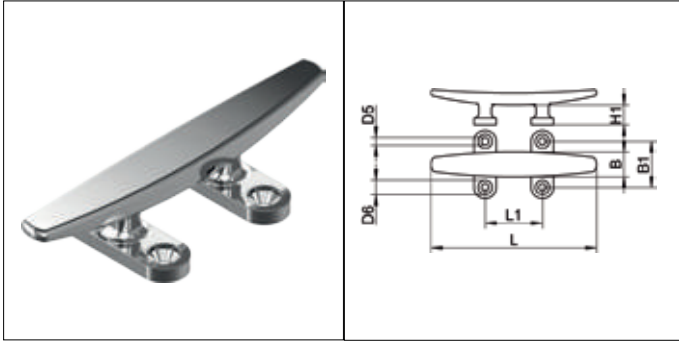
### Flok Kilidi



| L mm | D mm | m mm | H mm | A mm | Art.-Nr.            | Amb. Ad. |
|------|------|------|------|------|---------------------|----------|
| 62   | 3    | 6    | 10   | 11   | <b>0526 001 903</b> | 10       |
| 76   | 4    | 8    | 13   | 13   | <b>0526 001 904</b> | 10       |
| 86   | 5    | 9    | 16   | 16   | <b>0526 001 905</b> | 5        |
| 90   | 5    | 9    | 19   | 19   | <b>0526 001 907</b> | 5        |
| 120  | 6    | 14   | 33   | 33   | <b>0526 001 906</b> | 5        |

A4/AISI 316, karabina A2/AISI 304

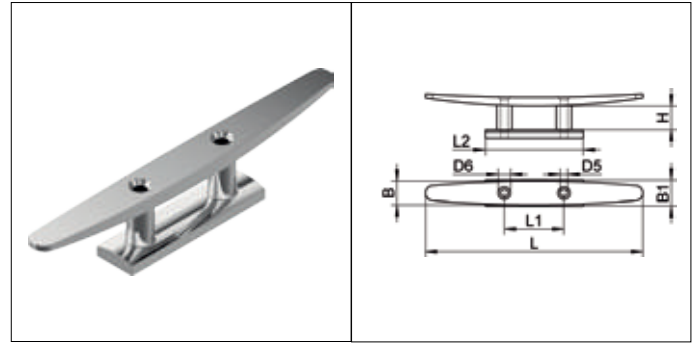
### Koç Boynuzu, Alttan Vidalı



| L mm | B mm | B1 mm | L1 mm | H1 mm | D5 mm | D6 mm | Art.-Nr.            | Amb. Ad. |
|------|------|-------|-------|-------|-------|-------|---------------------|----------|
| 100  | 14   | 24    | 30    | 14    | 5,3   | 10    | <b>5176 053 086</b> | 4        |
| 125  | 15   | 30    | 40    | 18    | 5,3   | 10    | <b>5176 053 087</b> | 4        |
| 150  | 20   | 42    | 45    | 20    | 6,8   | 12,9  | <b>5176 053 088</b> | 4        |
| 200  | 23   | 42    | 55    | 24    | 6,8   | 12,9  | <b>5176 053 089</b> | 2        |
| 250  | 25   | 44    | 58    | 30    | 6,8   | 12,9  | <b>5176 053 090</b> | 2        |

A4/AISI 316

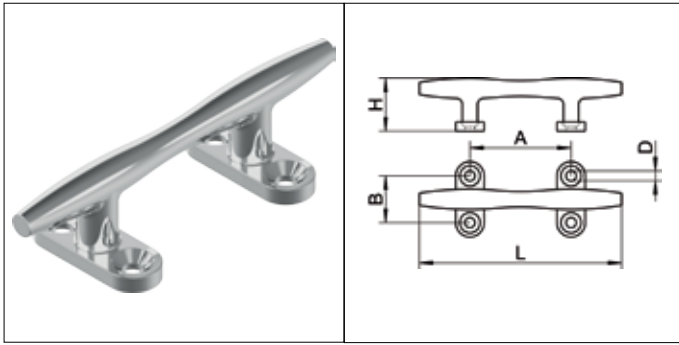
### Koç Boynuzu, Üstten Vidalı



| L mm | B mm | H mm | L1 mm | L2 mm | B1 mm | D5 mm | D6 mm | Art.-Nr.            | Amb. Ad. |
|------|------|------|-------|-------|-------|-------|-------|---------------------|----------|
| 100  | 14   | 14   | 30    | 55    | 15    | 4,4   | 8     | <b>5176 053 097</b> | 2        |
| 125  | 16   | 16   | 35    | 65    | 18    | 4,7   | 8,6   | <b>5176 053 098</b> | 2        |
| 150  | 19   | 19   | 45    | 73    | 21    | 5,3   | 10    | <b>5176 053 099</b> | 2        |
| 200  | 22   | 22   | 55    | 90    | 24    | 6,8   | 12,9  | <b>5176 053 100</b> | 2        |
| 250  | 25   | 25   | 70    | 110   | 27    | 8,5   | 16    | <b>5176 053 101</b> | 2        |

A4/AISI 316

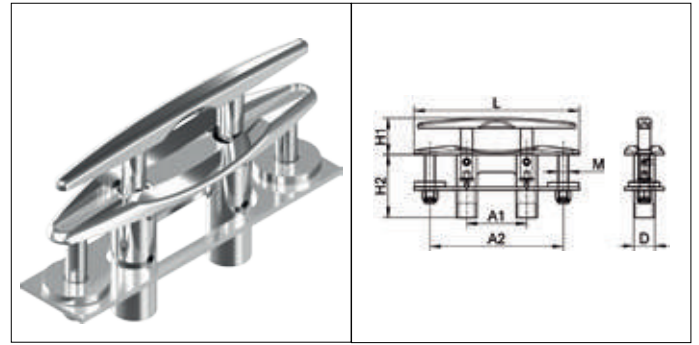
### Koç Boynuzu, Dalgalı



| L mm | B mm | H mm | D mm | A mm | Art.-Nr.            | Amb. Ad. |
|------|------|------|------|------|---------------------|----------|
| 100  | 23   | 26   | 5    | 50   | <b>5176 053 091</b> | 4        |
| 125  | 25   | 28   | 5    | 54   | <b>5176 053 092</b> | 4        |
| 150  | 26   | 32   | 6    | 56   | <b>5176 053 093</b> | 4        |
| 200  | 34   | 39   | 6,5  | 72   | <b>5176 053 094</b> | 4        |
| 250  | 44   | 48   | 8,5  | 94   | <b>5176 053 095</b> | 2        |
| 300  | 49   | 53   | 8,5  | 99   | <b>5176 053 096</b> | 2        |

A4/AISI 316

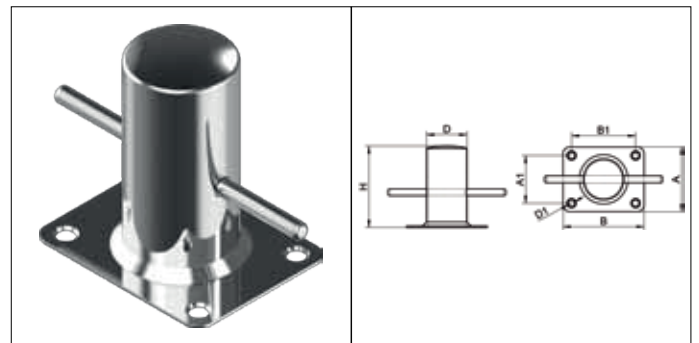
### Koç Boynuzu, Açılır-Kapanır



| L mm | H1 mm | H2 mm | D mm | M mm | A1 mm | A2 mm | Art.-Nr.            | Amb. Ad. |
|------|-------|-------|------|------|-------|-------|---------------------|----------|
| 150  | 36    | 61    | 20   | 3/8" | 58    | 129   | <b>5176 053 102</b> | 4        |

A4/AISI 316

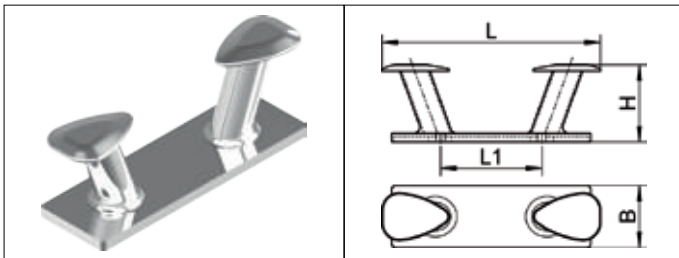
### Baba, 'T' Model



| B mm | A mm | H mm | D mm | Art.-Nr.            | Amb. Ad. |
|------|------|------|------|---------------------|----------|
| 90   | 80   | 100  | 50   | <b>5176 053 104</b> | 1        |
| 120  | 95   | 120  | 60   | <b>5176 053 105</b> | 1        |

A4/AISI 316

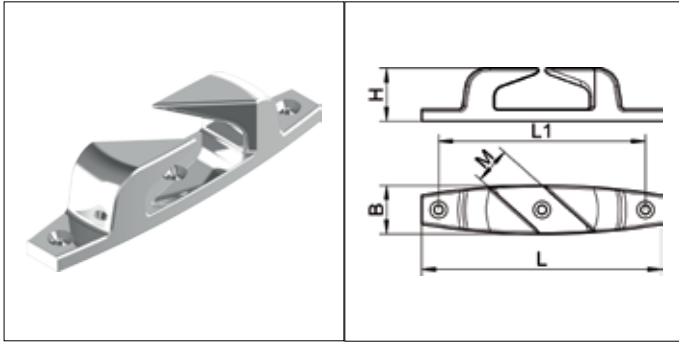
### Baba, 'V' Model



| L mm | B mm | H mm | D mm | A mm | Art.-Nr.            | Amb. Ad. |
|------|------|------|------|------|---------------------|----------|
| 280  | 80   | 100  | M16  | 130  | <b>5176 053 103</b> | 1        |

A4/AISI 316

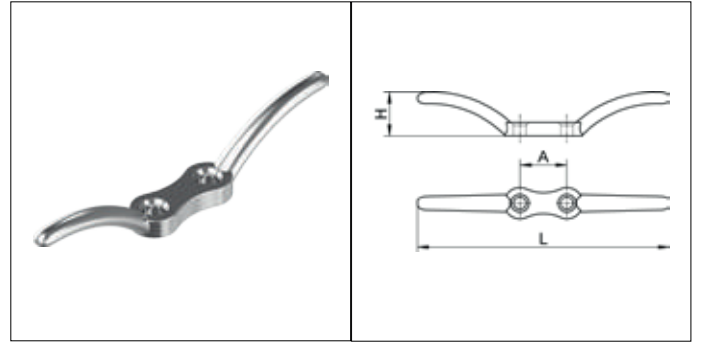
## Kurt Ağzı



| L mm  | L1 mm | B mm | M mm | H mm | Art.-Nr.            | Amb. Ad. |
|-------|-------|------|------|------|---------------------|----------|
| 115 L | 98    | 23   | 15   | 25   | <b>5176 053 106</b> | 4        |
| 115 R | 98    | 23   | 15   | 25   | <b>5176 053 107</b> | 4        |
| 150 L | 124   | 35   | 26   | 30   | <b>5176 053 108</b> | 4        |
| 150 R | 124   | 35   | 26   | 30   | <b>5176 053 109</b> | 4        |

A4/AISI 316

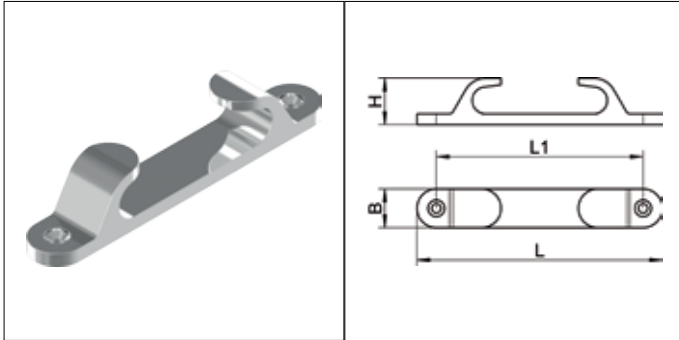
## Koç Boynuzu, İskota



| L mm | H mm | A mm | Art.-Nr.            | Amb. Ad. |
|------|------|------|---------------------|----------|
| 67   | 12   | 10   | <b>5176 053 112</b> | 10       |
| 112  | 20   | 21   | <b>5176 053 113</b> | 10       |

A4/AISI 316

## Kurt Ağzı, Düz

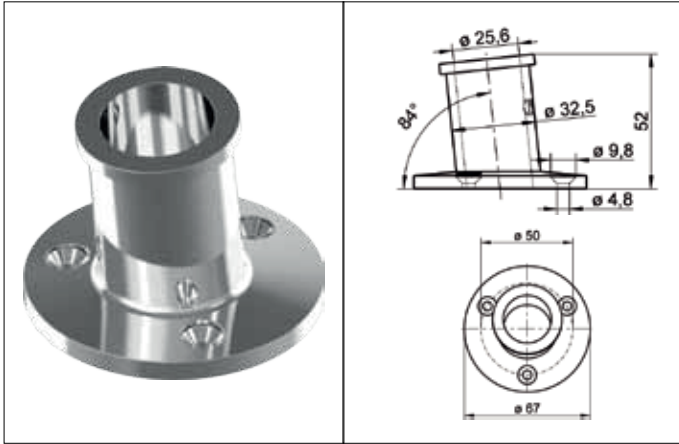


| L mm | B mm | H mm | Art.-Nr.            | Amb. Ad. |
|------|------|------|---------------------|----------|
| 127  | 20   | 24   | <b>5176 053 110</b> | 4        |
| 152  | 24   | 36   | <b>5176 053 111</b> | 4        |

A4/AISI 316



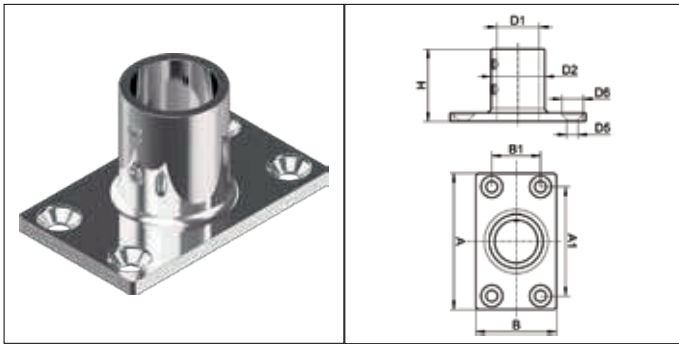
### Taban, Bayrak Direği İçin



| Type | Art.-Nr.     | Amb. Ad. |
|------|--------------|----------|
| A    | 5176 053 118 | 2        |

A4/AISI 316

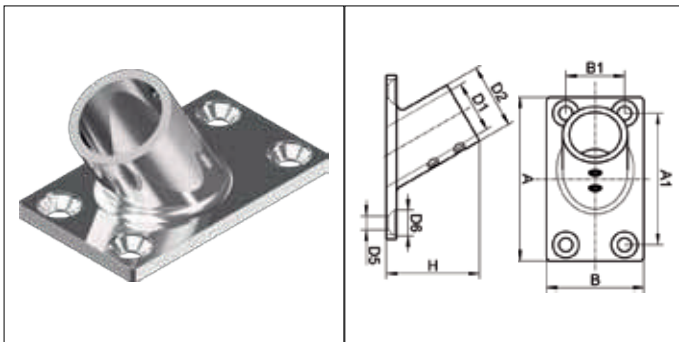
### Taban, 90°



| D1 mm | D5 mm | A mm | B mm | H mm | Art.-Nr.     | Amb. Ad. |
|-------|-------|------|------|------|--------------|----------|
| 22    | 5,3   | 76   | 44   | 43   | 5176 053 125 | 10       |
| 25    | 6,8   | 81   | 48   | 43   | 5176 053 126 | 10       |

A4/AISI 316

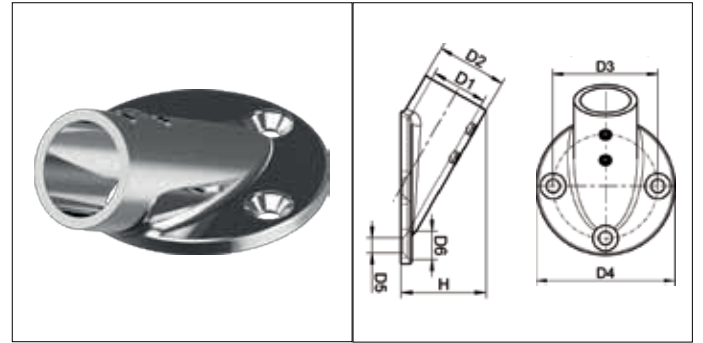
### Taban, 60°



| D1 mm | D5 mm | A mm | B mm | H mm | Art.-Nr.     | Amb. Ad. |
|-------|-------|------|------|------|--------------|----------|
| 22    | 5,3   | 76   | 44   | 43   | 5176 053 127 | 10       |
| 25    | 6,8   | 81   | 48   | 46   | 5176 053 128 | 10       |

A4/AISI 316

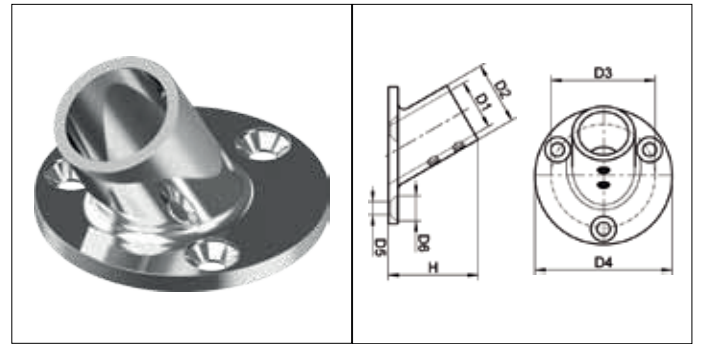
### Taban, 30°



| D1 mm | D4 mm | D5 mm | H mm | Art.-Nr.     | Amb. Ad. |
|-------|-------|-------|------|--------------|----------|
| 22    | 66    | 5,3   | 39   | 5176 053 119 | 1        |
| 25    | 70    | 6,8   | 39   | 5176 053 120 | 1        |

A4/AISI 316

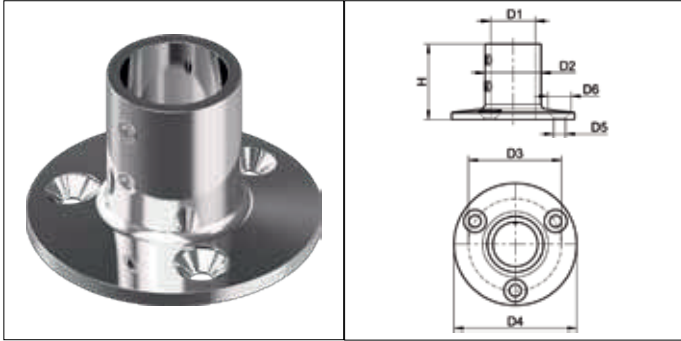
### Taban, 60°



| D1 mm | D4 mm | D5 mm | H mm | Art.-Nr.     | Amb. Ad. |
|-------|-------|-------|------|--------------|----------|
| 22    | 66    | 5,3   | 43   | 5176 053 121 | 10       |
| 25    | 70    | 6,8   | 46   | 5176 053 122 | 10       |

A4/AISI 316

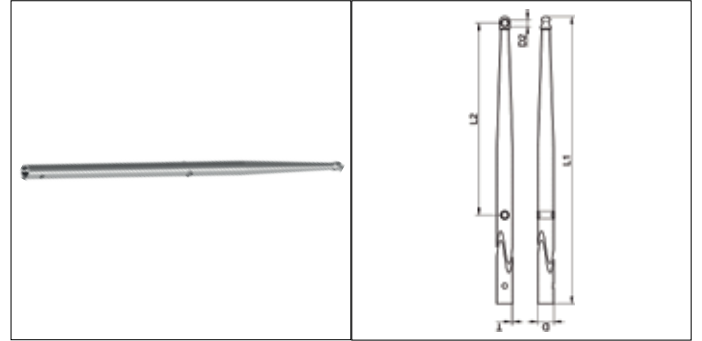
## Taban, 90°



| D1 mm | D4 mm | D5 mm | H mm | Art.-Nr.            | Amb. Ad. |
|-------|-------|-------|------|---------------------|----------|
| 22    | 66    | 5,3   | 43   | <b>5176 053 123</b> | 10       |
| 25    | 70    | 6,8   | 43   | <b>5176 053 124</b> | 10       |

A4/AISI 316

## Vardavela Dikmesi

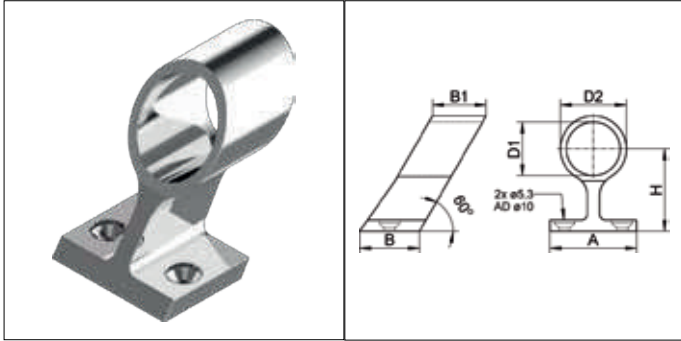


| Type | D mm | T mm | L1 mm | L2 mm | D2 mm | Art.-Nr.            | Amb. Ad. |
|------|------|------|-------|-------|-------|---------------------|----------|
| A    | 25   | 1,5  | 550   | 250   | 10,5  | <b>5176 053 129</b> | 1        |
| B    | 25   | 1,5  | 610   | 300   | 10,5  | <b>5176 053 130</b> | 1        |
| C    | 25   | 1,5  | 740   | 300   | 10,5  | <b>5176 053 131</b> | 1        |

A4/AISI 316



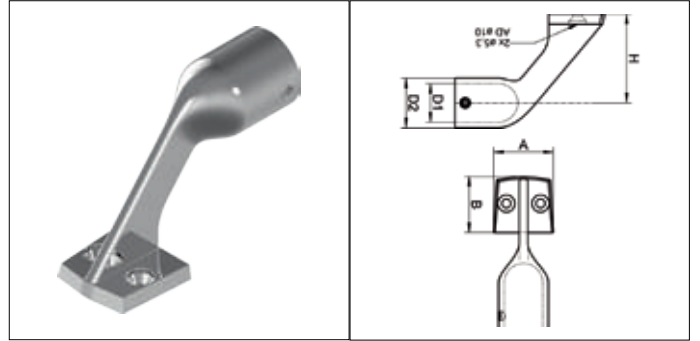
### Küpeşte Destek Ayağı, 60°



| D1 mm | H mm | B mm | A mm | Art.-Nr.            | Amb. Ad. |
|-------|------|------|------|---------------------|----------|
| 22    | 37   | 26   | 40   | <b>5176 053 132</b> | 10       |
| 25    | 40   | 29   | 42   | <b>5176 053 133</b> | 10       |

A4/AISI 316

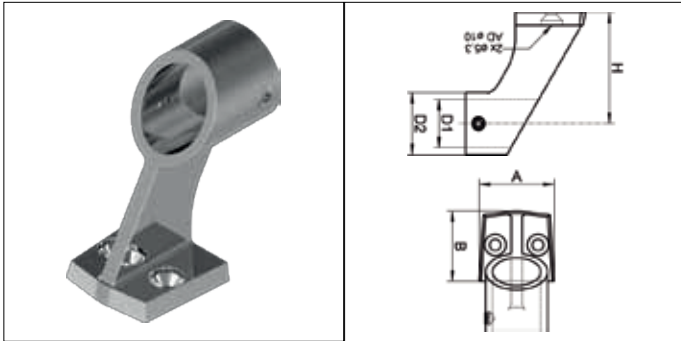
### Küpeşte Destek Ayağı, Kapalı, 60°



| D1 mm | H mm | B mm | A mm | Art.-Nr.            | Amb. Ad. |
|-------|------|------|------|---------------------|----------|
| 22    | 52   | 33   | 36   | <b>5176 053 138</b> | 10       |

A4/AISI 316

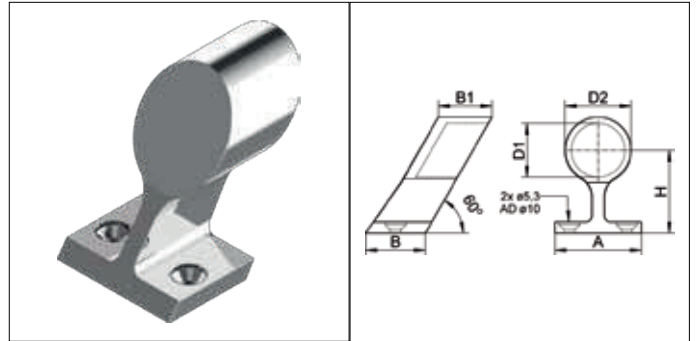
### Küpeşte Destek Ayağı, 60°



| D1 mm | H mm | B mm | A mm | Art.-Nr.            | Amb. Ad. |
|-------|------|------|------|---------------------|----------|
| 22    | 52   | 33   | 36   | <b>5176 053 139</b> | 4        |

A4/AISI 316

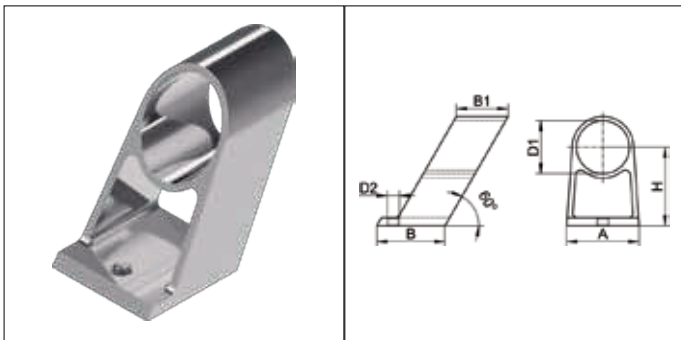
### Küpeşte Destek Ayağı, Kapalı, 60°



| D1 mm | H mm | B mm | A mm | Art.-Nr.            | Amb. Ad. |
|-------|------|------|------|---------------------|----------|
| 22    | 37   | 26   | 40   | <b>5176 053 134</b> | 10       |
| 25    | 40   | 29   | 42   | <b>5176 053 135</b> | 10       |

A4/AISI 316

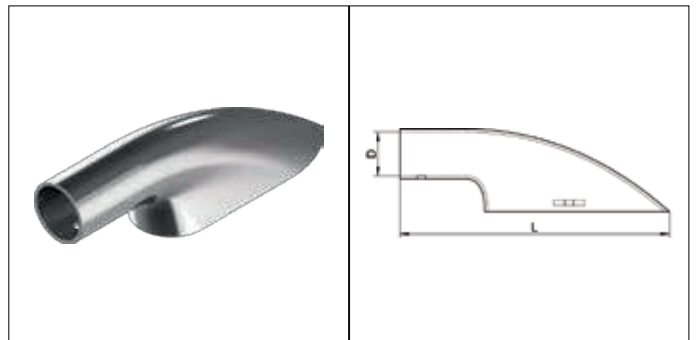
### Küpeşte Destek Ayağı, 60°



| D1 mm | H mm | B mm | A mm | Art.-Nr.            | Amb. Ad. |
|-------|------|------|------|---------------------|----------|
| 22    | 38   | 33   | 35   | <b>5176 053 136</b> | 10       |
| 25    | 38   | 33   | 35   | <b>5176 053 137</b> | 10       |

A4/AISI 316

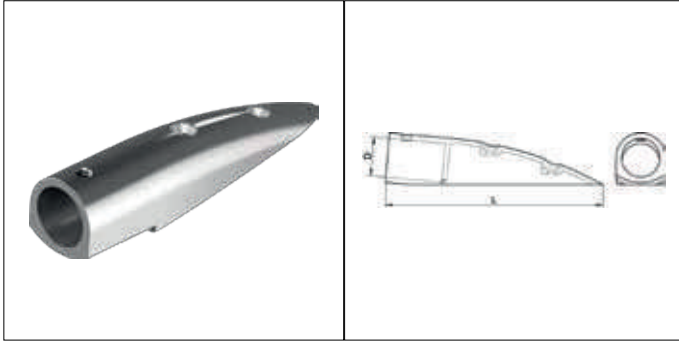
### Küpeşte Destek Ayağı, Kapalı, 90°



| D mm | L mm | Art.-Nr.            | Amb. Ad. |
|------|------|---------------------|----------|
| 22   | 160  | <b>5176 053 140</b> | 10       |
| 25   | 175  | <b>5176 053 141</b> | 10       |

A4/AISI 316

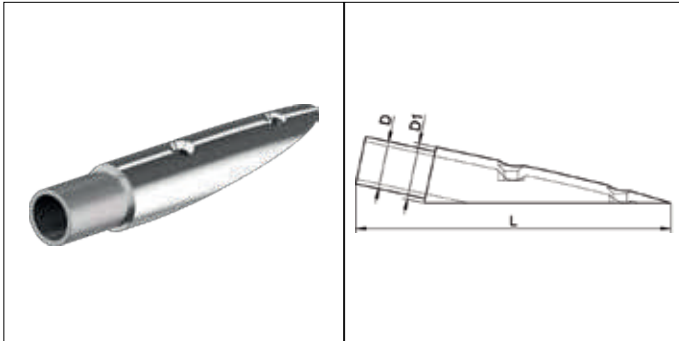
### Küpeşte Destek Ayağı, Kapalı, 5 1/2°



| D mm | L mm | Art.-Nr.     | Amb. Ad. |
|------|------|--------------|----------|
| 22   | 125  | 5176 053 142 | 5        |

A4/AISI 316

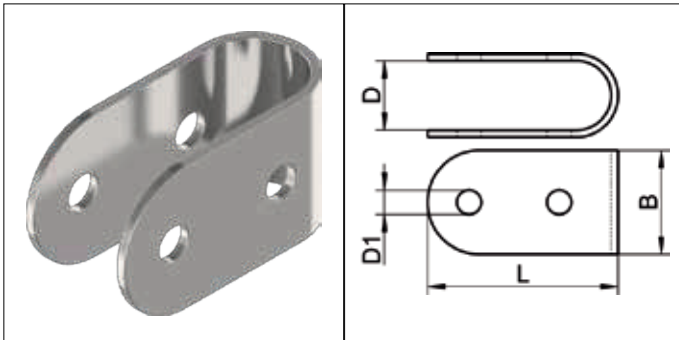
### Küpeşte Destek Ayağı, Kapalı, 5 1/2°



| Ø mm | D mm | D1 mm | L mm | Art.-Nr.     | Amb. Ad. |
|------|------|-------|------|--------------|----------|
| 22   | 19   | 23    | 120  | 5176 053 143 | 5        |

A4/AISI 316

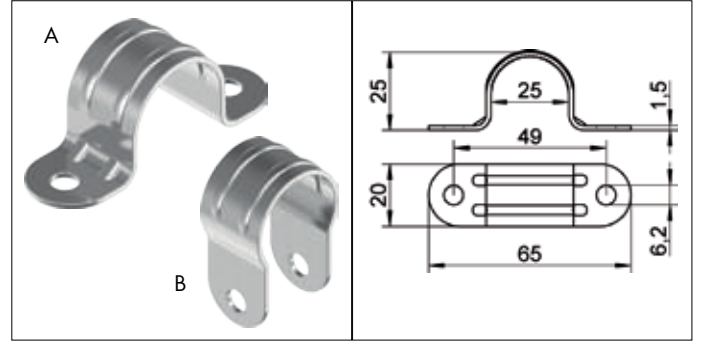
### Kelepçe



| L mm | B mm | D mm | D1 mm | Art.-Nr.     | Amb. Ad. |
|------|------|------|-------|--------------|----------|
| 58   | 30   | 20   | 7     | 5176 053 144 | 10       |

A4/AISI 316

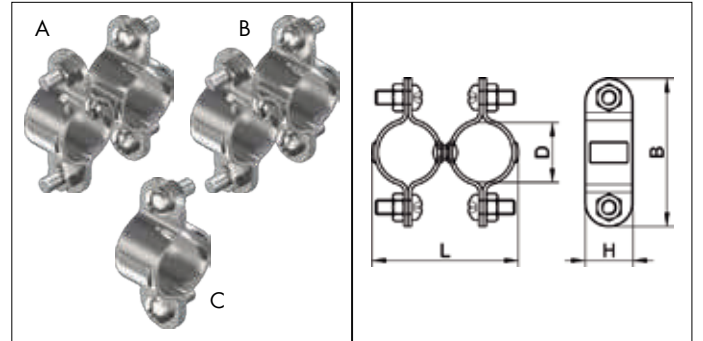
### Boru Kelepçesi



| Type | D mm | Art.-Nr.     | Amb. Ad. |
|------|------|--------------|----------|
| A    | 25   | 5176 053 145 | 10       |
| B    | 25   | 5176 053 146 | 10       |

A2/AISI 304

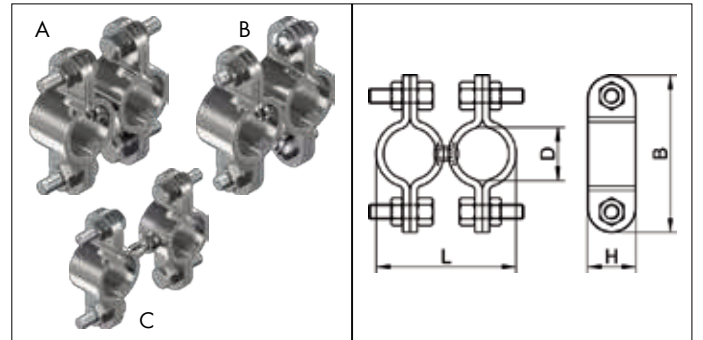
### Boru Kelepçesi, Hareketli



| Type | D mm  | B mm | L mm | H mm | Art.-Nr.     | Amb. Ad. |
|------|-------|------|------|------|--------------|----------|
| A    | 25-27 | 62   | 55   | 20   | 5176 053 147 | 5        |
| B    | 25-27 | 60   | 55   | 20   | 5176 053 148 | 5        |
| C    | 25-27 | 62   | 25   | 20   | 5176 053 149 | 5        |

A2/AISI 304

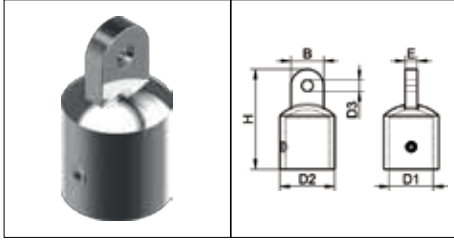
### Boru Kelepçesi, Sabit



| Type | D mm  | B mm | L mm | H mm | Art.-Nr.     | Amb. Ad. |
|------|-------|------|------|------|--------------|----------|
| A    | 22-30 | 65   | 55   | 20   | 5176 053 150 | 5        |
| B    | 22-30 | 65   | 55   | 20   | 5176 053 151 | 5        |
| C    | 22-30 | 65   | 72   | 20   | 5176 053 152 | 5        |

A2/AISI 304

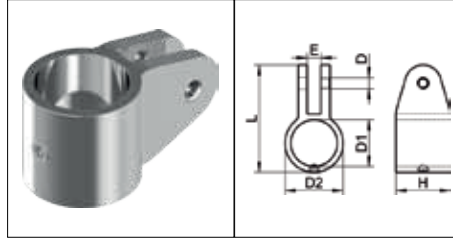
### Tente Parçası, Erkek



| D1 mm | D3 mm | H mm | B mm | E mm | Art.-Nr. 5176 053 ... | Amb. Ad. |
|-------|-------|------|------|------|-----------------------|----------|
| 19    | 6,6   | 58   | 17,5 | 7    | <b>153</b>            | 10       |
| 20    | 6,6   | 58   | 17,5 | 7    | <b>154</b>            | 10       |
| 22    | 6,6   | 58   | 17,5 | 7    | <b>155</b>            | 10       |
| 25    | 6,6   | 58   | 17,5 | 7    | <b>156</b>            | 10       |
| 30    | 8,6   | 58   | 18,5 | 7    | <b>157</b>            | 10       |

A4/AISI 316

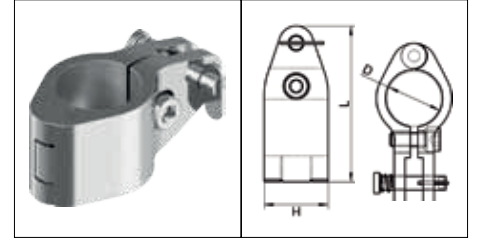
### Tente Parçası, Dişi



| D1 mm | D mm | L mm | H mm | E mm | Art.-Nr. 5176 053 ... | Amb. Ad. |
|-------|------|------|------|------|-----------------------|----------|
| 19    | 6,6  | 47   | 25   | 7,5  | <b>158</b>            | 10       |
| 20    | 6,6  | 47   | 25   | 7,5  | <b>159</b>            | 10       |
| 22    | 6,6  | 51   | 72   | 7,5  | <b>160</b>            | 10       |
| 25    | 6,6  | 59   | 28   | 7,5  | <b>161</b>            | 10       |
| 30    | 6,6  | 67   | 30   | 7,5  | <b>162</b>            | 10       |

A4/AISI 316

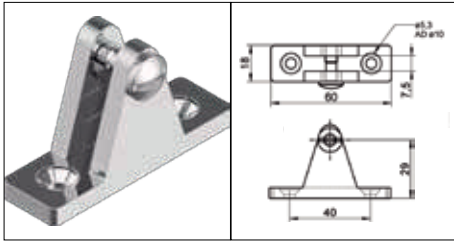
### Tente Parçası, Pimli



| D mm | L mm | H mm | Art.-Nr.            | Amb. Ad. |
|------|------|------|---------------------|----------|
| 22   | 69   | 27   | <b>5176 053 163</b> | 10       |
| 25   | 69   | 28   | <b>5176 053 164</b> | 10       |
| 30   | 79   | 28   | <b>5176 053 165</b> | 10       |

A4/AISI 316

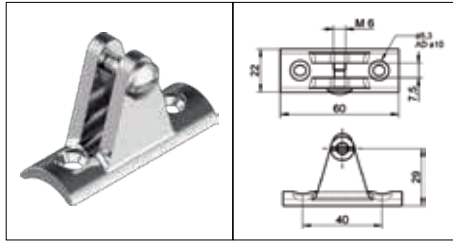
### Tente Ayağı, 90°



| L mm | B mm | H mm | Art.-Nr.            | Amb. Ad. |
|------|------|------|---------------------|----------|
| 60   | 18   | 29   | <b>5176 053 167</b> | 4        |

A4/AISI 316

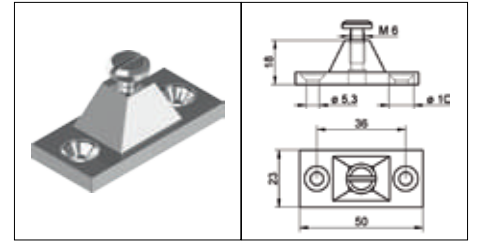
### Tente Ayağı, Eğimli



| L mm | B mm | H mm | Art.-Nr.            | Amb. Ad. |
|------|------|------|---------------------|----------|
| 60   | 22   | 29   | <b>5176 053 169</b> | 4        |

A4/AISI 316

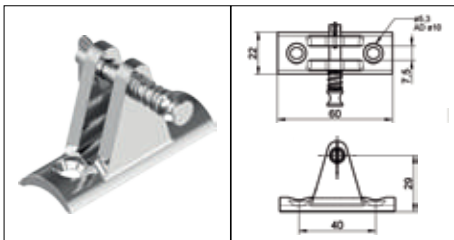
### Tente Ayağı



| L mm | B mm | H mm | Art.-Nr.            | Amb. Ad. |
|------|------|------|---------------------|----------|
| 50   | 23   | 19   | <b>5176 053 170</b> | 4        |

A4/AISI 316

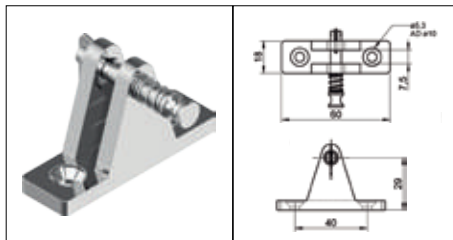
### Tente Ayağı, Eğimli, Yaylı Pimli



| L mm | B mm | H mm | Art.-Nr.            | Amb. Ad. |
|------|------|------|---------------------|----------|
| 60   | 22   | 29   | <b>5176 053 168</b> | 10       |

A4/AISI 316

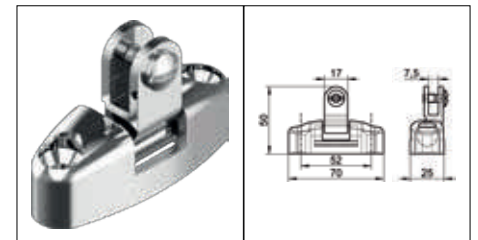
### Tente Ayağı, 90° Eğimli, Çıkarılabilir Pimli



| L mm | B mm | H mm | Art.-Nr.            | Amb. Ad. |
|------|------|------|---------------------|----------|
| 60   | 18   | 29   | <b>5176 053 166</b> | 10       |

A4/AISI 316

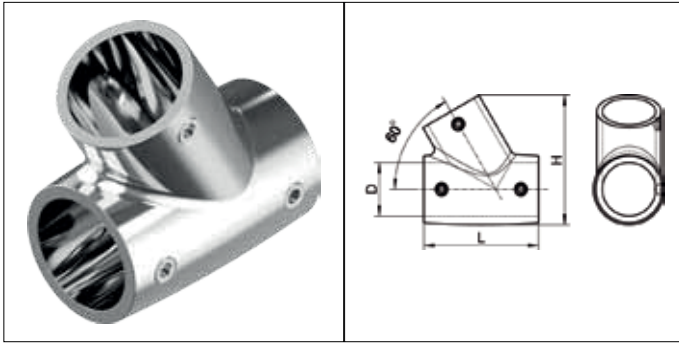
### Tente Ayağı, Hareketli Başlıklı



| L mm | B mm | H mm | Art.-Nr.            | Amb. Ad. |
|------|------|------|---------------------|----------|
| 70   | 25   | 50   | <b>5176 053 189</b> | 4        |

A4/AISI 316

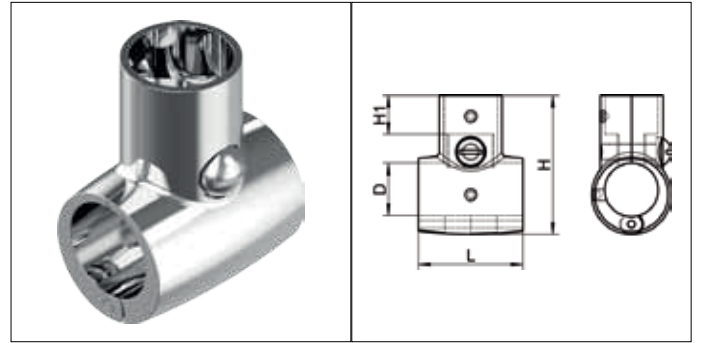
### T-Bağlantı Parçası, 60°



| D mm | L mm | H mm | Art.-Nr.            | Amb. Ad. |
|------|------|------|---------------------|----------|
| 22   | 50   | 57   | <b>5176 053 172</b> | 4        |
| 25   | 55   | 62   | <b>5176 053 173</b> | 4        |

A4/AISI 316

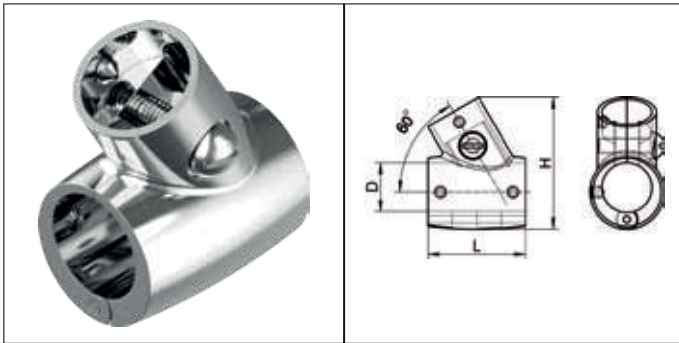
### T-Bağlantı Parçası, 90°, Menteşeli



| D mm | L mm | H mm | H1 mm | Art.-Nr.            | Amb. Ad. |
|------|------|------|-------|---------------------|----------|
| 22   | 50   | 62   | 18,6  | <b>5176 053 178</b> | 4        |
| 25   | 50   | 65   | 18,6  | <b>5176 053 179</b> | 4        |

A4/AISI 316

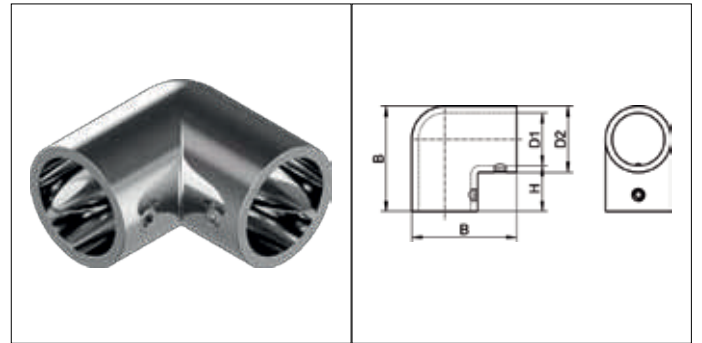
### T-Bağlantı Parçası, 60°, Cıvatalı



| D mm | Art.-Nr.            | Amb. Ad. |
|------|---------------------|----------|
| 22   | <b>5176 053 174</b> | 4        |
| 25   | <b>5176 053 175</b> | 4        |

A4/AISI 316

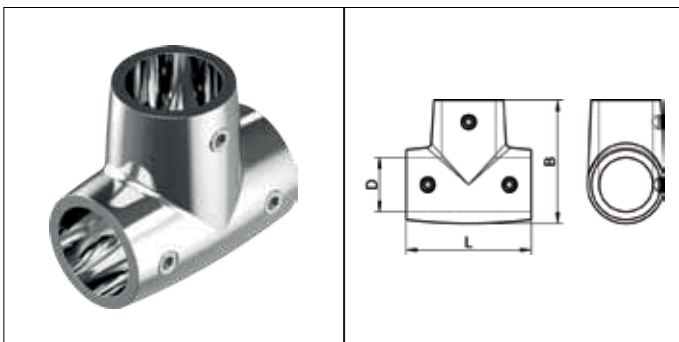
### Dirsek, 90°



| D1 mm | Art.-Nr.            | Amb. Ad. |
|-------|---------------------|----------|
| 22    | <b>5176 053 180</b> | 4        |
| 25    | <b>5176 053 181</b> | 4        |

A4/AISI 316

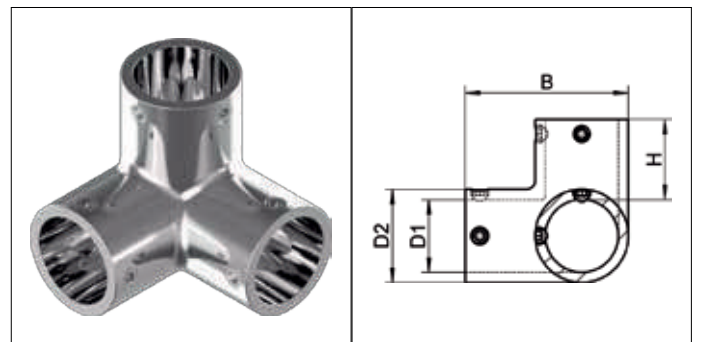
### T-Bağlantı Parçası, 90°



| D mm | Art.-Nr.            | Amb. Ad. |
|------|---------------------|----------|
| 22   | <b>5176 053 176</b> | 4        |
| 25   | <b>5176 053 177</b> | 4        |

A4/AISI 316

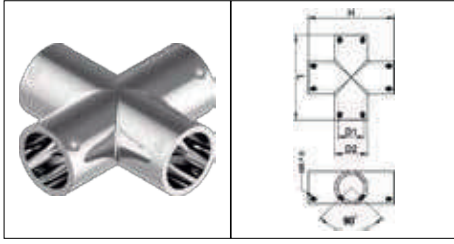
### T-Bağlantı Parçası, 90°



| D1 mm | Art.-Nr.            | Amb. Ad. |
|-------|---------------------|----------|
| 22    | <b>5176 053 182</b> | 4        |
| 25    | <b>5176 053 183</b> | 4        |

A4/AISI 316

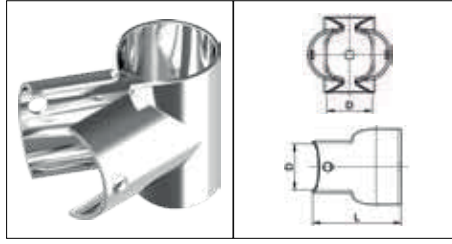
### T-Bağlantı Parçası, 4 Yönlü



| D1 mm | Art.-Nr.            | Amb. Ad. |
|-------|---------------------|----------|
| 22    | <b>5176 053 184</b> | 4        |
| 25    | <b>5176 053 185</b> | 4        |

A4/AISI 316

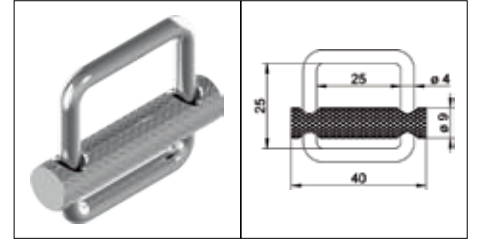
### T-Bağlantı Parçası, Açık



| Type | D mm | L mm | Art.-Nr.            | Amb. Ad. |
|------|------|------|---------------------|----------|
| A    | 22   | 52   | <b>5176 053 190</b> | 10       |
| B    | 25   | 52   | <b>5176 053 191</b> | 10       |

A4/AISI 316

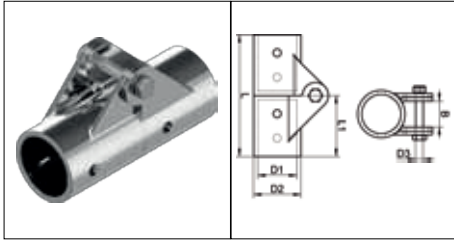
### Toka, Ayarlanabilir



| L mm | B mm | D mm | D1 mm | Art.-Nr.            | Amb. Ad. |
|------|------|------|-------|---------------------|----------|
| 25   | 25   | 9    | 4     | <b>5176 053 171</b> | 10       |

A4/AISI 316

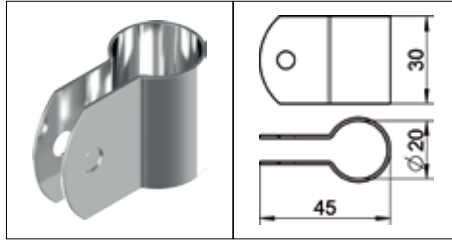
### Tüp Bağlantı



| D1 mm | D3 mm | L mm | L1 mm | B mm | Art.-Nr.            | Amb. Ad. |
|-------|-------|------|-------|------|---------------------|----------|
| 20    | 5     | 80   | 40    | 13,5 | <b>5176 053 186</b> | 4        |
| 22    | 5     | 80   | 40    | 15   | <b>5176 053 187</b> | 4        |
| 25    | 5     | 80   | 40    | 17   | <b>5176 053 188</b> | 4        |

A4/AISI 316

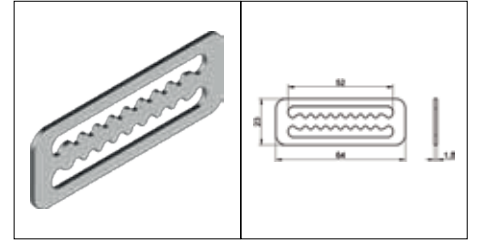
### Bağlantı Parçası, Tüp Bağlantı İçin



| D mm | L mm | B mm | Art.-Nr.            | Amb. Ad. |
|------|------|------|---------------------|----------|
| 20   | 45   | 30   | <b>5176 053 192</b> | 10       |

A4/AISI 316

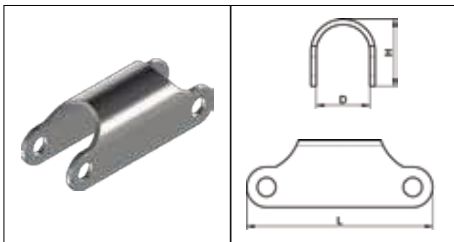
### Toka, Tırtıklı



| L mm | B mm | Art.-Nr.            | Amb. Ad. |
|------|------|---------------------|----------|
| 64   | 23   | <b>5176 053 432</b> | 10       |

A4/AISI 316

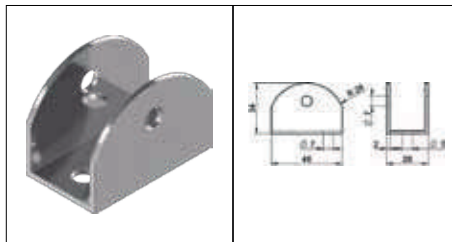
### Braket



| L mm | D mm | H mm | Art.-Nr.            | Amb. Ad. |
|------|------|------|---------------------|----------|
| 70   | 20   | 25   | <b>5176 053 194</b> | 10       |

A4/AISI 316

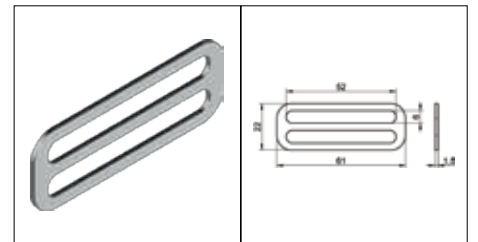
### U-Braket



| L mm | B mm | H mm | Art.-Nr.            | Amb. Ad. |
|------|------|------|---------------------|----------|
| 48   | 28   | 34   | <b>5176 053 193</b> | 10       |

A4/AISI 316

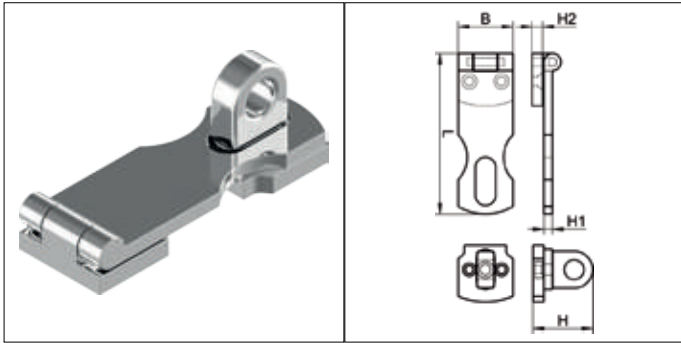
### Toka, Düz



| L mm | B mm | Art.-Nr.            | Amb. Ad. |
|------|------|---------------------|----------|
| 61   | 22   | <b>5176 053 431</b> | 10       |

A4/AISI 316

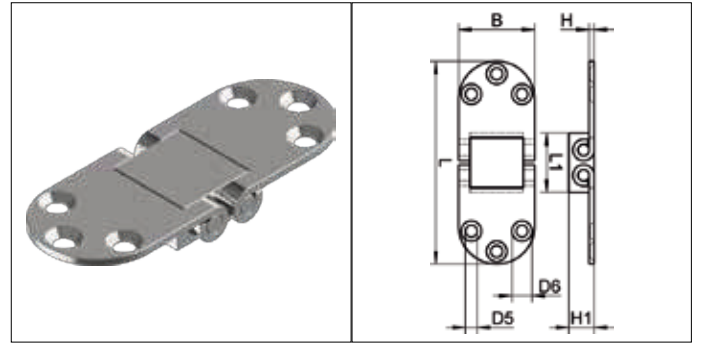
### Menteşe, Kilitli



| L mm | B mm | H mm | H1 mm | H2 mm | Art.-Nr.            | Amb. Ad. |
|------|------|------|-------|-------|---------------------|----------|
| 75   | 25,5 | 20   | 4     | 5     | <b>5176 053 019</b> | 4        |

A4/AISI 316

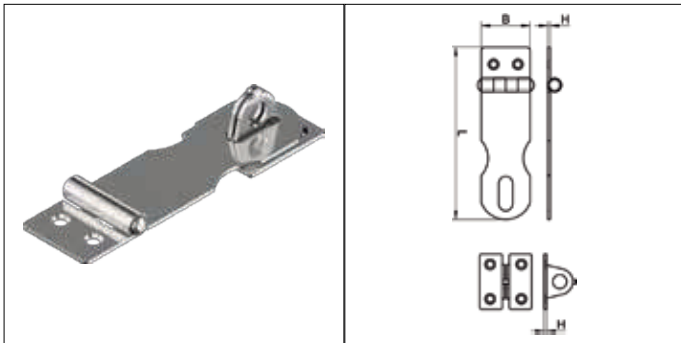
### Ters Mentese



| L mm | B mm | H mm | D5 mm | Art.-Nr.            | Amb. Ad. |
|------|------|------|-------|---------------------|----------|
| 80   | 30   | 2    | 4,5   | <b>5176 053 195</b> | 4        |

A4/AISI 316

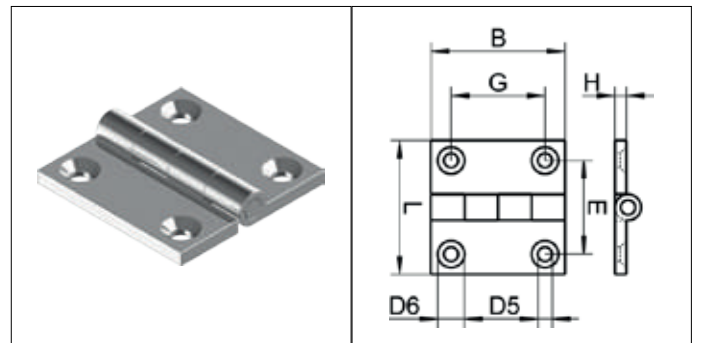
### Menteşe, Kilitli



| L mm | B mm | H mm | Art.-Nr.            | Amb. Ad. |
|------|------|------|---------------------|----------|
| 100  | 28   | 1,5  | <b>5176 053 020</b> | 12       |

A2/AISI 304

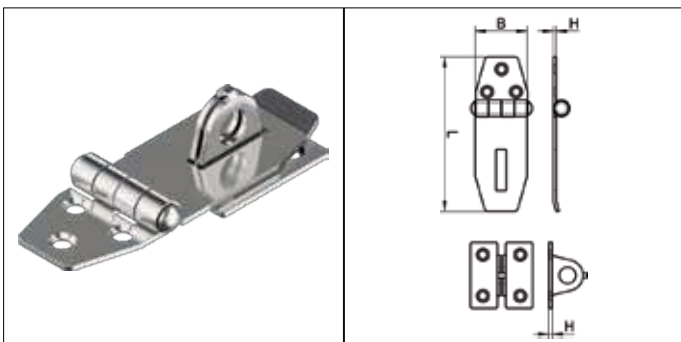
### Menteşe



| Type | L mm | B mm | G mm | E mm | H mm | D5 mm | Art.-Nr.            | Amb. Ad. |
|------|------|------|------|------|------|-------|---------------------|----------|
| A    | 38   | 38   | 25   | 25   | 4    | 4,4   | <b>5176 053 196</b> | 10       |
| B    | 50   | 50   | 35   | 35   | 4    | 5,3   | <b>5176 053 197</b> | 10       |

A4/AISI 316

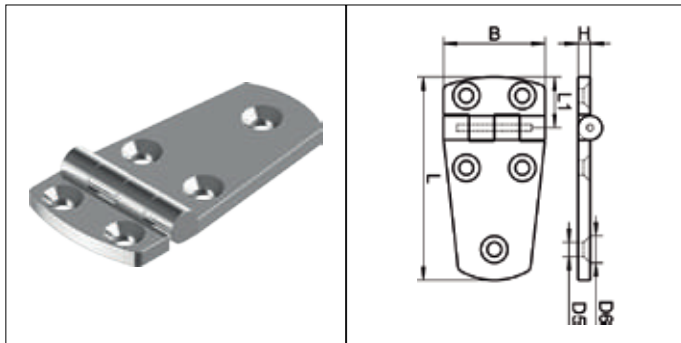
### Kilitli Mentese



| L mm | B mm | H mm | Art.-Nr.            | Amb. Ad. |
|------|------|------|---------------------|----------|
| 75   | 25   | 1,5  | <b>5176 053 021</b> | 12       |

A4/AISI 316

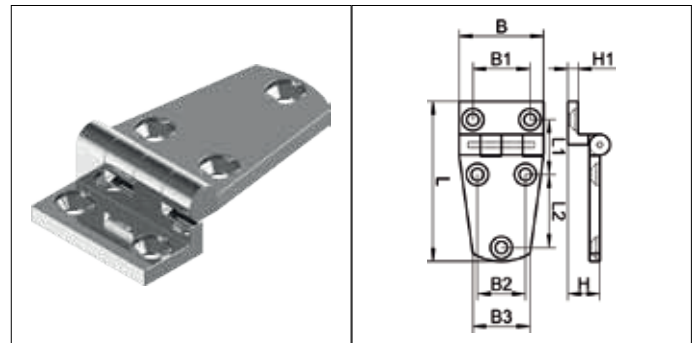
### Menteşe



| Type | L mm | B mm | H mm | D5 mm | Art.-Nr.            | Amb. Ad. |
|------|------|------|------|-------|---------------------|----------|
| A    | 57   | 38   | 4,5  | 5,3   | <b>5176 053 198</b> | 10       |
| B    | 76   | 38   | 4,5  | 5,3   | <b>5176 053 199</b> | 10       |

A4/AISI 316

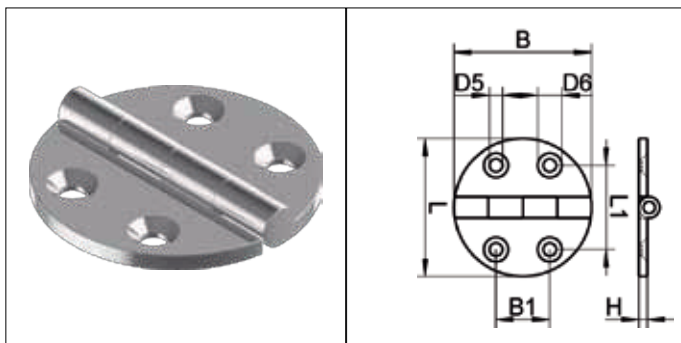
### Menteşe



| Type | L mm | B mm | H mm | H1 mm | D5 mm | Art.-Nr.            | Amb. Ad. |
|------|------|------|------|-------|-------|---------------------|----------|
| A    | 54   | 37   | 14   | 4,5   | 5,3   | <b>5176 053 204</b> | 10       |
| B    | 70   | 37   | 14   | 4,5   | 5,3   | <b>5176 053 205</b> | 10       |

A4/AISI 316

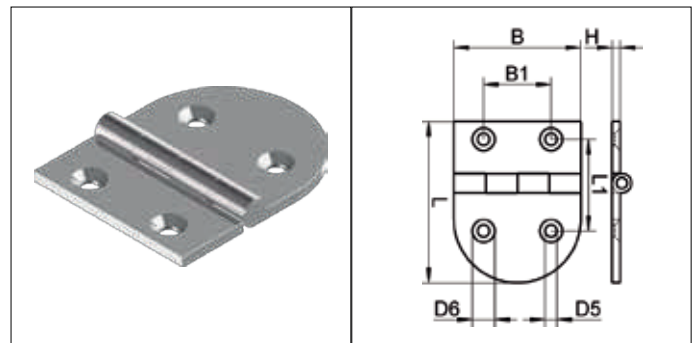
### Menteşe



| L mm | B mm | H mm | D5 mm | Art.-Nr.            | Amb. Ad. |
|------|------|------|-------|---------------------|----------|
| 64   | 64   | 4    | 6     | <b>5176 053 200</b> | 10       |

A4/AISI 316

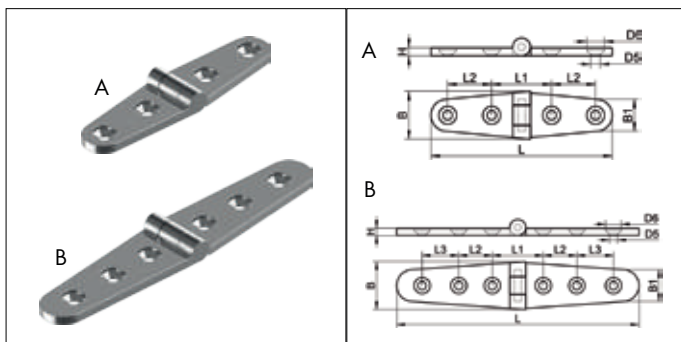
### Hinge, casted & polished



| L mm | B mm | H mm | D5 mm | Art.-Nr.            | Amb. Ad. |
|------|------|------|-------|---------------------|----------|
| 81   | 64   | 4    | 6     | <b>5176 053 201</b> | 10       |

A4/AISI 316

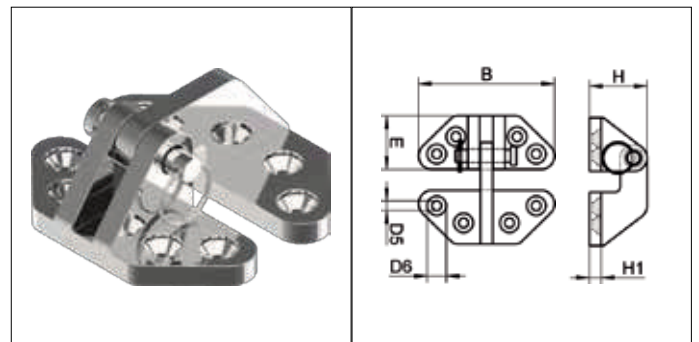
### Menteşe



| Type | L mm | B mm | H mm | D5 mm | Art.-Nr.            | Amb. Ad. |
|------|------|------|------|-------|---------------------|----------|
| A    | 103  | 27   | 4,5  | 5,3   | <b>5176 053 202</b> | 10       |
| B    | 152  | 30   | 4,5  | 5,3   | <b>5176 053 203</b> | 10       |

A4/AISI 316

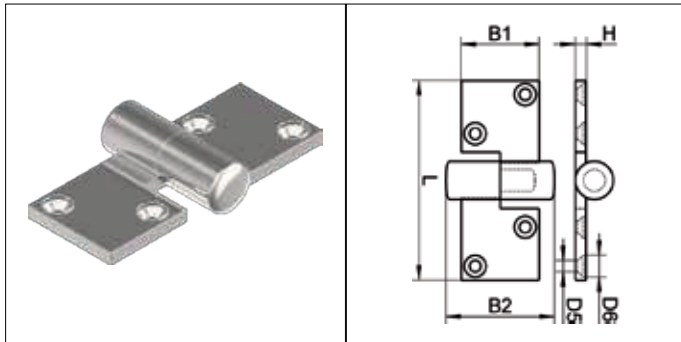
### Menteşe



| B mm | H1 mm | Art.-Nr.            | Amb. Ad. |
|------|-------|---------------------|----------|
| 71   | 6     | <b>5176 053 206</b> | 4        |

A4/AISI 316

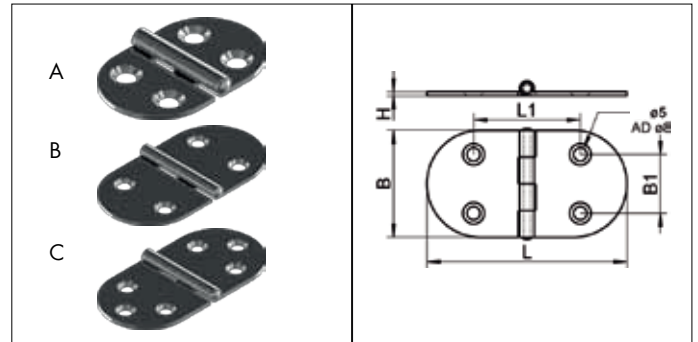
### Menteşe, Ayrılabilir



| Type   | L mm | B1 mm | H mm | D5 mm | Art.-Nr.            | Amb. Ad. |
|--------|------|-------|------|-------|---------------------|----------|
| Links  | 92   | 36    | 5    | 5,3   | <b>5176 053 207</b> | 4        |
| Rechts | 92   | 36    | 5    | 5,3   | <b>5176 053 344</b> | 4        |

A4/AISI 316

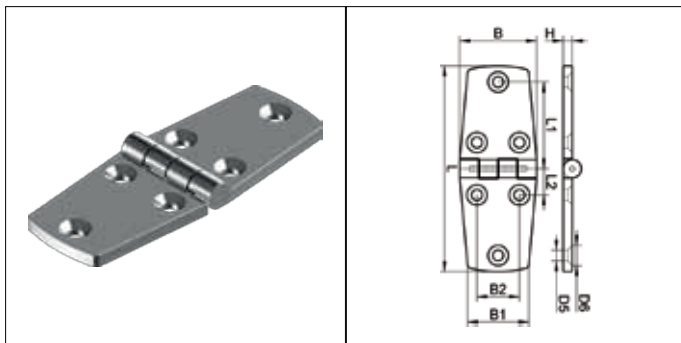
### Menteşe



| Type | L mm | B mm | H mm | Art.-Nr.            | Amb. Ad. |
|------|------|------|------|---------------------|----------|
| A    | 47   | 30   | 1,5  | <b>5176 053 004</b> | 25       |
| B    | 75   | 40   | 1,5  | <b>5176 053 005</b> | 25       |
| C    | 80   | 40   | 2,0  | <b>5176 053 006</b> | 25       |

A2/AISI 304

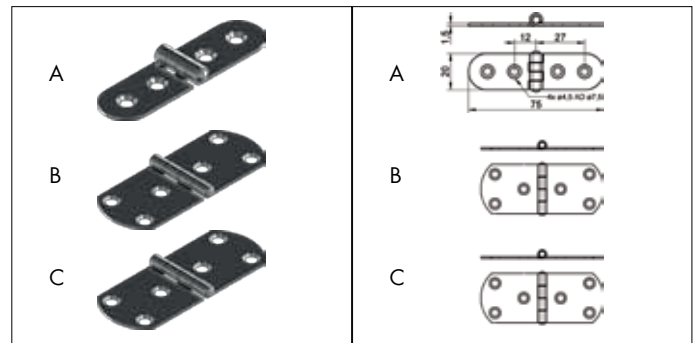
### Menteşe



| Type | L mm | B mm | H mm | D5 mm | Art.-Nr.            | Amb. Ad. |
|------|------|------|------|-------|---------------------|----------|
| A    | 76   | 38   | 4,5  | 5,3   | <b>5176 053 208</b> | 12       |
| B    | 102  | 38   | 4,5  | 5,3   | <b>5176 053 209</b> | 12       |

A4/AISI 316

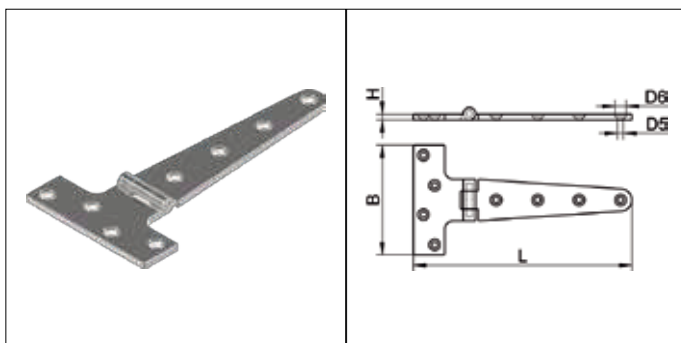
### Menteşe



| Type | L mm | B mm | H mm | Art.-Nr.            | Amb. Ad. |
|------|------|------|------|---------------------|----------|
| A    | 75   | 20   | 1,5  | <b>5176 053 211</b> | 25       |
| B    | 85   | 30   | 1,5  | <b>5176 053 212</b> | 25       |
| C    | 100  | 40   | 1,5  | <b>5176 053 213</b> | 25       |

A2/AISI 304

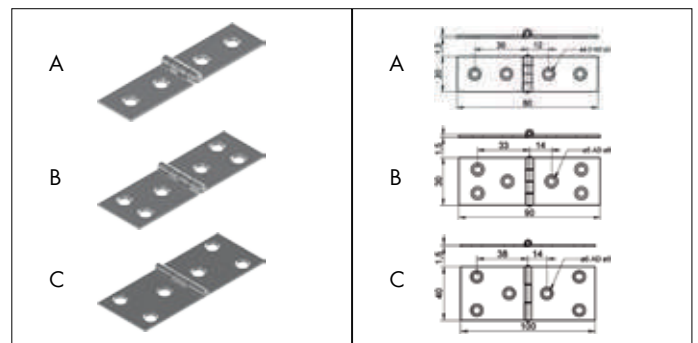
### T-Menteşe



| L mm | B mm | H mm | D5 mm | Art.-Nr.            | Amb. Ad. |
|------|------|------|-------|---------------------|----------|
| 195  | 98   | 5    | 5,3   | <b>5176 053 210</b> | 12       |

A4/AISI 316

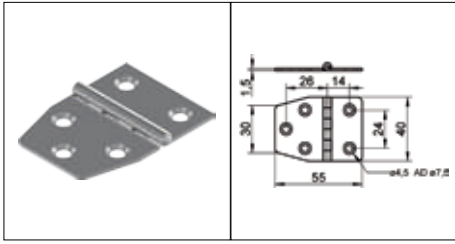
### Menteşe



| Type | L mm | B mm | H mm | Art.-Nr.            | Amb. Ad. |
|------|------|------|------|---------------------|----------|
| A    | 80   | 20   | 1,5  | <b>5176 053 214</b> | 25       |
| B    | 90   | 30   | 1,5  | <b>5176 053 215</b> | 25       |
| C    | 100  | 40   | 1,5  | <b>5176 053 216</b> | 25       |

A2/AISI 304

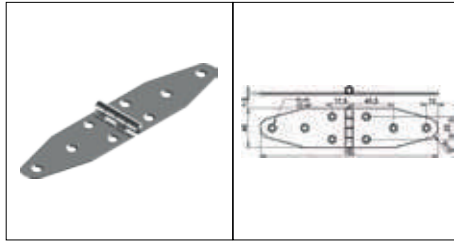
### Menteşe



| L mm | B mm | H mm | Art.-Nr.     | Amb. Ad. |
|------|------|------|--------------|----------|
| 55   | 40   | 1,5  | 5176 053 001 | 10       |

A2/AISI 304

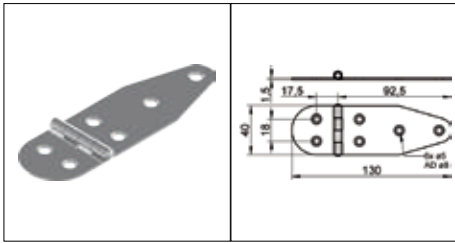
### Menteşe



| L mm | B mm | H mm | Art.-Nr.     | Amb. Ad. |
|------|------|------|--------------|----------|
| 182  | 40   | 1,5  | 5176 053 008 | 25       |

A2/AISI 304

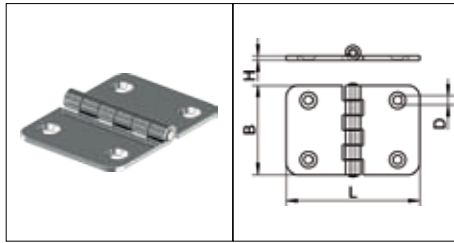
### Menteşe



| L mm | B mm | H mm | Art.-Nr.     | Amb. Ad. |
|------|------|------|--------------|----------|
| 130  | 40   | 1,5  | 5176 053 002 | 10       |

A2/AISI 304

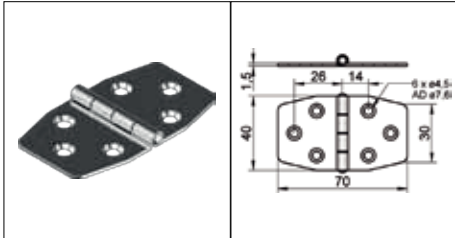
### Menteşe



| L mm | B mm | H mm | D mm | Art.-Nr.     | Amb. Ad. |
|------|------|------|------|--------------|----------|
| 90   | 60   | 3    | 6,1  | 5176 053 225 | 25       |

A2/AISI 304

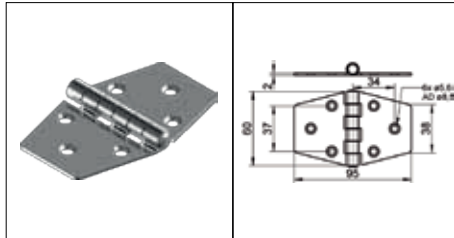
### Menteşe



| L mm | B mm | H mm | Art.-Nr.     | Amb. Ad. |
|------|------|------|--------------|----------|
| 70   | 40   | 1,5  | 5176 053 003 | 10       |

A2/AISI 304

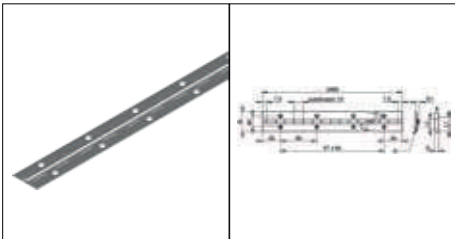
### Menteşe



| L mm | B1 mm | B2 mm | H mm | D mm | Art.-Nr.     | Amb. Ad. |
|------|-------|-------|------|------|--------------|----------|
| 95   | 38    | 60    | 2    | 5,6  | 5176 053 226 | 25       |

A2/AISI 304

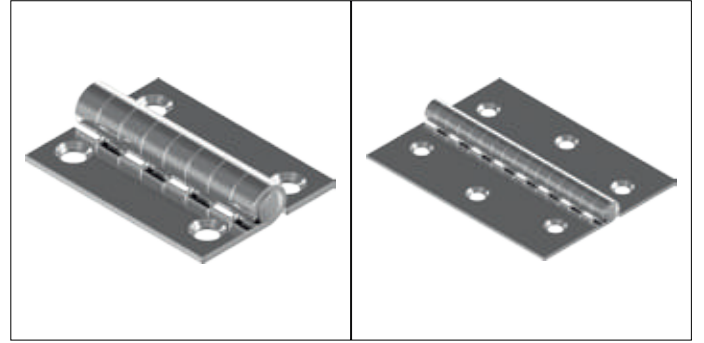
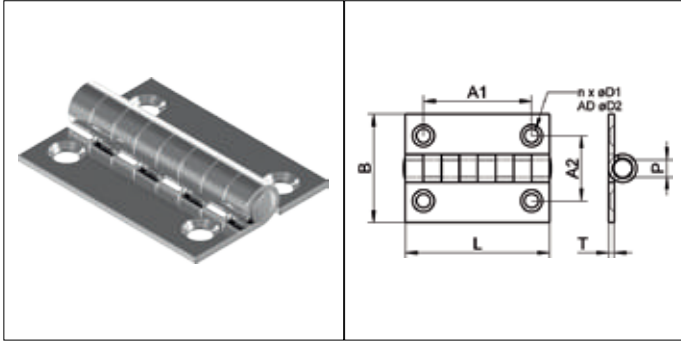
### Menteşe



| L mm  | B mm | H mm | D mm | Art.-Nr.     | Amb. Ad. |
|-------|------|------|------|--------------|----------|
| 3.500 | 16   | 0,7  | 4,0  | 5176 053 227 | 1        |
| 3.500 | 18   | 0,7  | 4,0  | 5176 053 228 | 1        |
| 3.500 | 20   | 0,7  | 4,9  | 5176 053 229 | 1        |
| 3.500 | 25   | 0,7  | 4,9  | 5176 053 230 | 1        |
| 3.500 | 32   | 0,7  | 4,9  | 5176 053 231 | 1        |
| 3.500 | 40   | 0,7  | 4,9  | 5176 053 232 | 1        |
| 3.500 | 32   | 1,5  | 5,8  | 5176 053 233 | 1        |
| 3.500 | 40   | 1,5  | 5,8  | 5176 053 234 | 1        |

A2/AISI 304

## Yaprak Mentеше

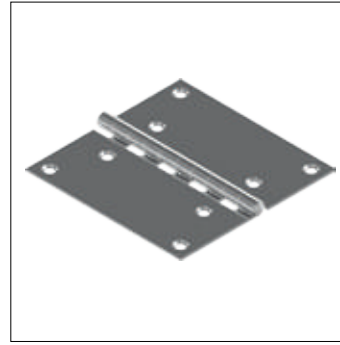


| Tip | L mm | B mm | T mm | D 1 mm | Art.-Nr.            | Amb. Ad. |
|-----|------|------|------|--------|---------------------|----------|
| A   | 40   | 30   | 1,5  | 3,9    | <b>5176 053 009</b> | 25       |
| B   | 40   | 40   | 1,5  | 4,5    | <b>5176 053 010</b> | 25       |
| C   | 60   | 40   | 1,5  | 4,5    | <b>5176 053 011</b> | 25       |
| E   | 60   | 60   | 1,5  | 4,5    | <b>5176 053 013</b> | 25       |
| F   | 80   | 50   | 1,5  | 4,5    | <b>5176 053 014</b> | 25       |
| G   | 80   | 60   | 1,5  | 4,5    | <b>5176 053 015</b> | 25       |
| H   | 80   | 70   | 1,5  | 4,5    | <b>5176 053 016</b> | 25       |
| I   | 80   | 80   | 1,5  | 4,5    | <b>5176 053 017</b> | 25       |
| P   | 100  | 100  | 1,5  | 4,5    | <b>5176 053 018</b> | 25       |

A2/AISI 304

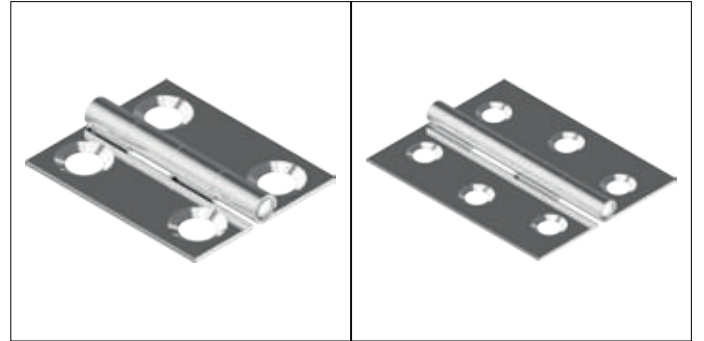
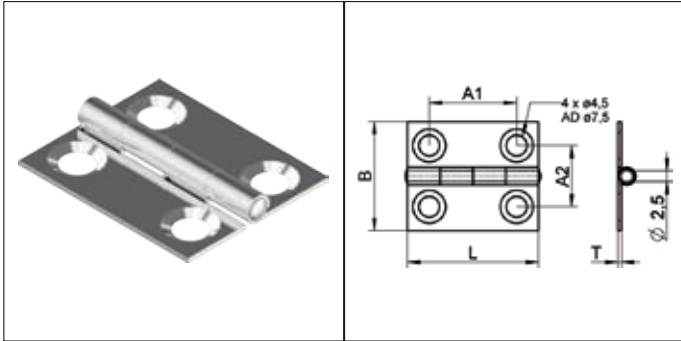
A - B

C - I



P

## Mentеше



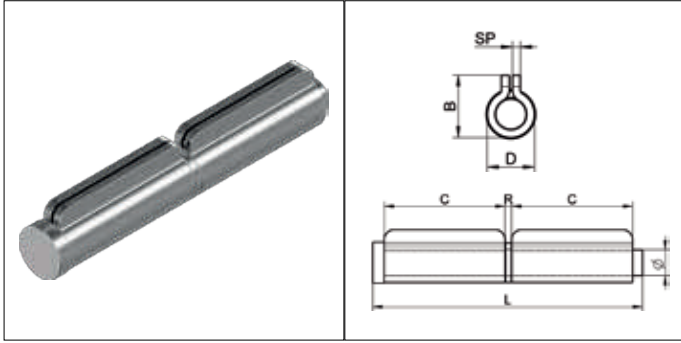
| Tip | L mm | B mm | T mm | D mm | Art.-Nr.            | Amb. Ad. |
|-----|------|------|------|------|---------------------|----------|
| A   | 30   | 25,0 | 0,8  | 4,5  | <b>5176 053 217</b> | 12       |
| B   | 30   | 28,5 | 0,8  | 4,5  | <b>5176 053 218</b> | 12       |
| C   | 40   | 35,0 | 0,8  | 4,5  | <b>5176 053 219</b> | 12       |
| D   | 40   | 40,0 | 0,8  | 4,5  | <b>5176 053 220</b> | 12       |
| E   | 50   | 40,0 | 0,8  | 4,5  | <b>5176 053 221</b> | 12       |
| F   | 50   | 50,0 | 0,8  | 4,5  | <b>5176 053 222</b> | 12       |
| G   | 60   | 50,0 | 0,8  | 4,5  | <b>5176 053 223</b> | 12       |
| H   | 70   | 55,0 | 0,8  | 4,5  | <b>5176 053 224</b> | 12       |

A2/AISI 304

A - D

E - H

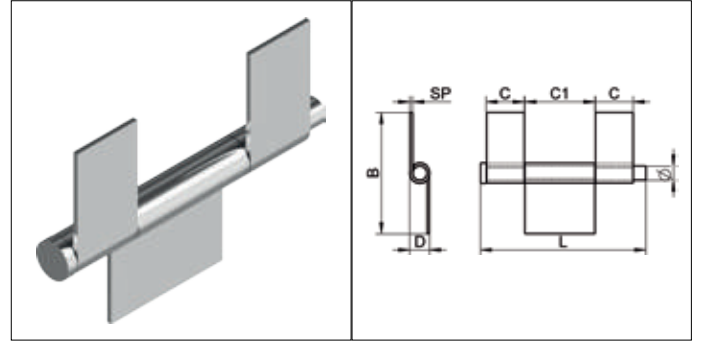
## Kaynaklı Mentеше



| Tip | L mm | B mm | C mm | R mm | D mm | SP mm | PIN Ø mm | Art.-Nr.            | Amb. Ad. |
|-----|------|------|------|------|------|-------|----------|---------------------|----------|
| 6   | 60   | 15   | 27   | 2,0  | 12,0 | 2,0   | 8        | <b>5176 053 235</b> | 10       |
| 8   | 80   | 15   | 37   | 2,0  | 12,0 | 2,0   | 8        | <b>5176 053 236</b> | 10       |
| 10  | 100  | 18   | 46   | 2,2  | 14,5 | 2,0   | 10       | <b>5176 053 237</b> | 10       |
| 12  | 120  | 19   | 55   | 2,2  | 16,5 | 2,0   | 10       | <b>5176 053 238</b> | 10       |
| 14  | 140  | 21   | 65   | 2,5  | 16,5 | 2,5   | 11       | <b>5176 053 239</b> | 10       |

A2/AISI 304

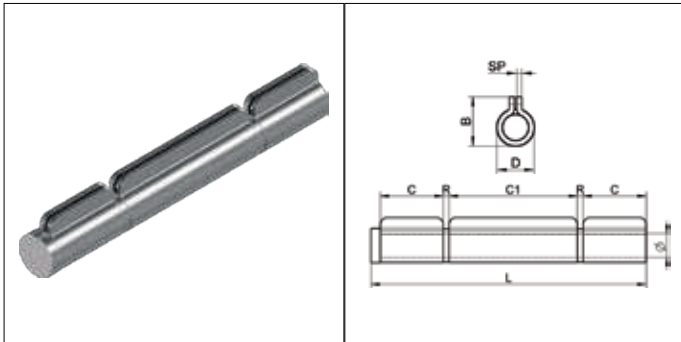
## Kaynaklı Mentеше



| Tip | L mm | B mm | C mm | C1 mm | D mm | SP mm | PIN Ø mm | Art.-Nr.            | Amb. Ad. |
|-----|------|------|------|-------|------|-------|----------|---------------------|----------|
| 11  | 110  | 80   | 27   | 56    | 15   | 2,5   | 10       | <b>5176 053 243</b> | 10       |
| 14  | 147  | 95   | 32   | 83    | 18   | 2,5   | 12       | <b>5176 053 244</b> | 10       |

A2/AISI 304

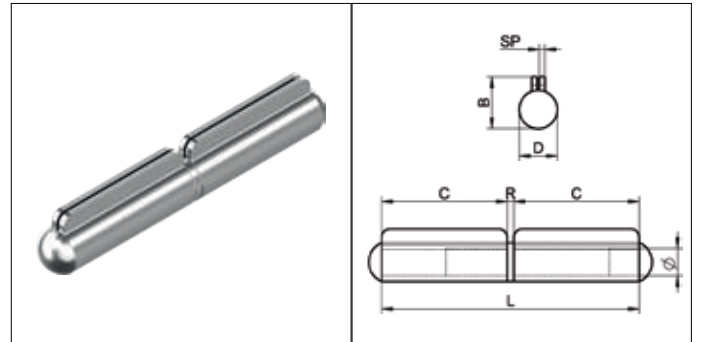
## Kaynaklı Mentеше



| Tip | L mm | B mm | C mm | C1 mm | R mm | D mm | SP mm | PIN Ø mm | Art.-Nr.            | Amb. Ad. |
|-----|------|------|------|-------|------|------|-------|----------|---------------------|----------|
| 10  | 100  | 18   | 21,5 | 53    | 2    | 14,5 | 2,0   | 10       | <b>5176 053 240</b> | 10       |
| 12  | 120  | 19   | 27,0 | 62    | 2    | 14,5 | 2,0   | 10       | <b>5176 053 241</b> | 10       |
| 14  | 140  | 21   | 32,0 | 172   | 2    | 16,5 | 2,0   | 10       | <b>5176 053 242</b> | 10       |

A2/AISI 304

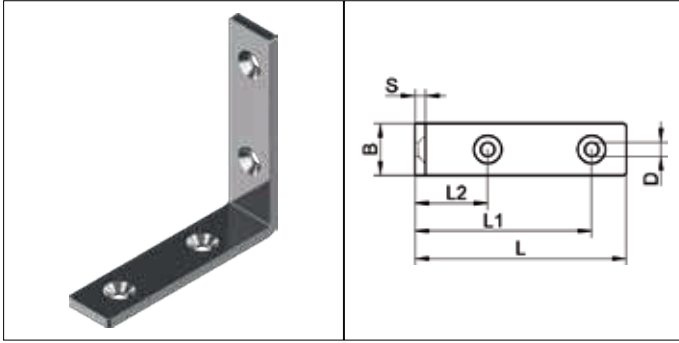
## Kaynaklı Mentеше



| Tip | L mm | B mm | C mm | R mm | D mm | SP mm | PIN Ø mm | Art.-Nr.            | Amb. Ad. |
|-----|------|------|------|------|------|-------|----------|---------------------|----------|
| 10  | 100  | 18   | 46   | 2    | 14,5 | 2,0   | 10       | <b>5176 053 245</b> | 10       |
| 12  | 120  | 21   | 55   | 2,2  | 16,5 | 2,0   | 10       | <b>5176 053 246</b> | 10       |
| 14  | 140  | 21   | 65   | 2,5  | 16,5 | 2,5   | 11       | <b>5176 053 247</b> | 10       |

A2/AISI 304

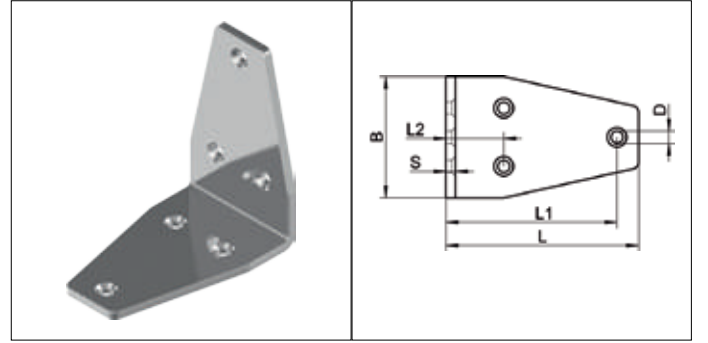
## Köşebent, Açık



| Tip | L mm | L1 mm | L2 mm | B mm | S mm | D mm | Art.-Nr.            | Amb. Ad. |
|-----|------|-------|-------|------|------|------|---------------------|----------|
| A   | 31   | 25    | 12    | 12   | 3    | 4    | <b>5176 053 248</b> | 10       |
| B   | 46   | 38    | 18    | 13   | 3    | 4    | <b>5176 053 249</b> | 10       |
| C   | 61   | 51    | 21    | 15   | 3    | 4    | <b>5176 053 250</b> | 10       |

A2/AISI 304

## Köşebent, Açık

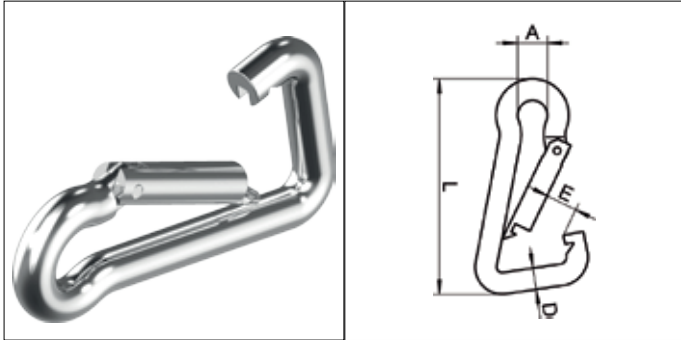


| Tip | L mm | L1 mm | L2 mm | B mm | S mm | D mm | Art.-Nr.            | Amb. Ad. |
|-----|------|-------|-------|------|------|------|---------------------|----------|
| A   | 41   | 35,0  | 18,0  | 25   | 3    | 5    | <b>5176 053 251</b> | 10       |
| B   | 56   | 47,5  | 18,5  | 35   | 3    | 5    | <b>5176 053 252</b> | 10       |
| C   | 80   | 71,0  | 24,0  | 50   | 4    | 5    | <b>5176 053 253</b> | 10       |

A2/AISI 304



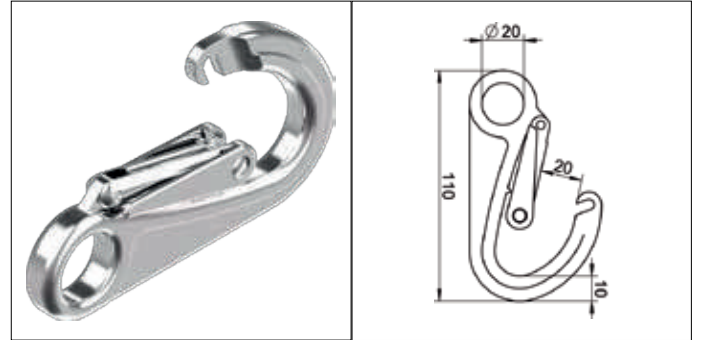
### Karabina, Asimetrik



| D mm | L mm | A mm | E mm | Art.-Nr.            | Amb. Ad. |
|------|------|------|------|---------------------|----------|
| 6    | 60   | 9    | 10   | <b>0526 001 206</b> | 20       |
| 10   | 100  | 15   | 18   | <b>0526 002 410</b> | 10       |
| 11   | 120  | 18   | 24   | <b>0526 002 411</b> | 10       |

A4/AISI 316, karabina A2/AISI 304

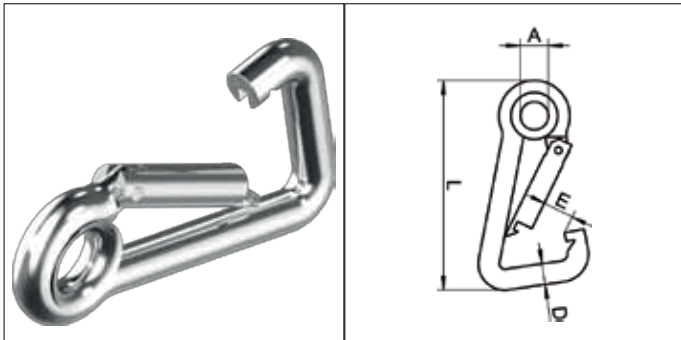
### Karabina, Çift Emniyetli, Mapalı



| D mm | L mm | A mm | E mm | Art.-Nr.            | Amb. Ad. |
|------|------|------|------|---------------------|----------|
| 10   | 110  | 20   | 20   | <b>0526 001 410</b> | 10       |

A4/AISI 316, karabina A2/AISI 304

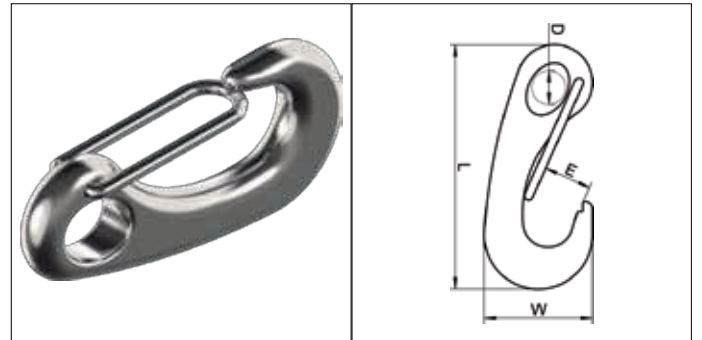
### Asimetrik Karabina, Mapalı



| D mm | L mm | E mm | A mm | Art.-Nr.            | Amb. Ad. |
|------|------|------|------|---------------------|----------|
| 6    | 60   | 7,5  | 10   | <b>0526 001 306</b> | 10       |
| 8    | 80   | 10,0 | 13   | <b>0526 001 308</b> | 10       |
| 10   | 100  | 13,0 | 18   | <b>0526 001 310</b> | 5        |
| 11   | 120  | 15,0 | 24   | <b>0526 001 311</b> | 5        |

A4/AISI 316, karabina A2/AISI 304

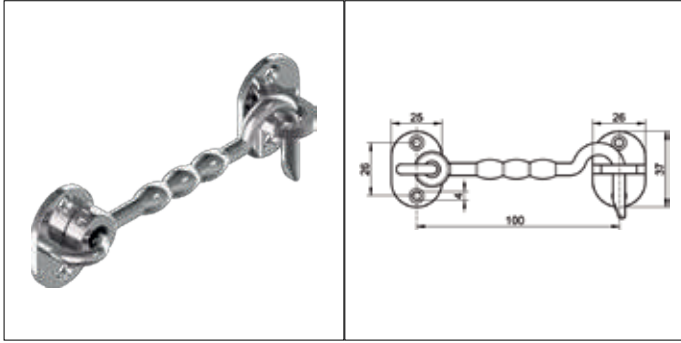
### Pelikan Kilidi



| L mm | W mm | E mm | D mm | Art.-Nr.            | Amb. Ad. |
|------|------|------|------|---------------------|----------|
| 50   | 24   | 10   | 6,5  | <b>0526 001 531</b> | 20       |
| 70   | 31   | 13   | 10,0 | <b>0526 001 524</b> | 25       |
| 100  | 46   | 23   | 13,0 | <b>0526 001 546</b> | 10       |

A4/AISI 316, karabina A2/AISI 304

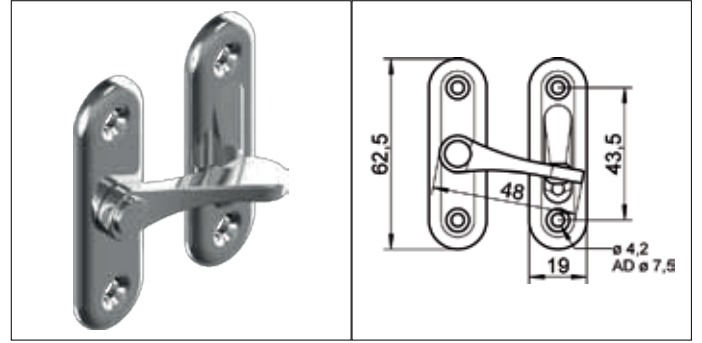
### Kapı Kancası



| L mm | A mm | B mm | Art.-Nr.            | Amb. Ad. |
|------|------|------|---------------------|----------|
| 100  | 26   | 37   | <b>5176 053 254</b> | 5        |

A4/AISI 316

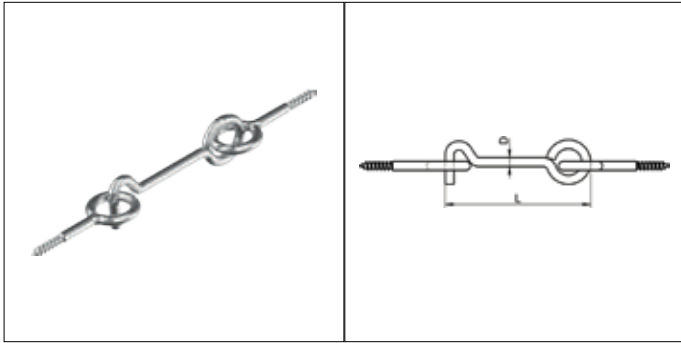
### Kapı Mandalı



| L1 mm | W mm | L2 mm | Art.-Nr.            | Amb. Ad. |
|-------|------|-------|---------------------|----------|
| 62,5  | 19   | 48    | <b>5176 053 259</b> | 10       |

A2/AISI 304

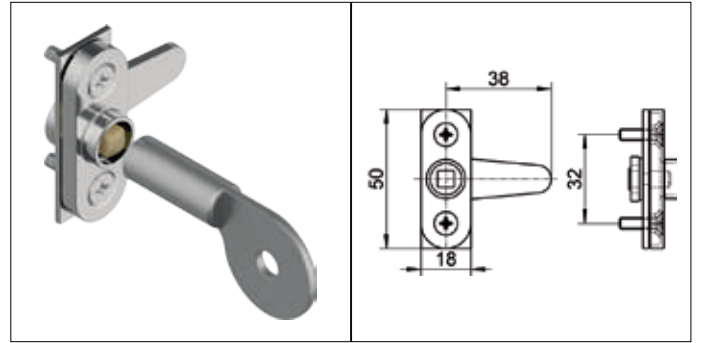
### Kilit, Göz-Kanca



| L mm | D mm | Art.-Nr.            | Amb. Ad. |
|------|------|---------------------|----------|
| 80   | 4,0  | <b>5176 053 255</b> | 10       |
| 100  | 4,0  | <b>5176 053 256</b> | 10       |
| 120  | 4,5  | <b>5176 053 257</b> | 10       |
| 140  | 5,2  | <b>5176 053 258</b> | 10       |

A2/AISI 304

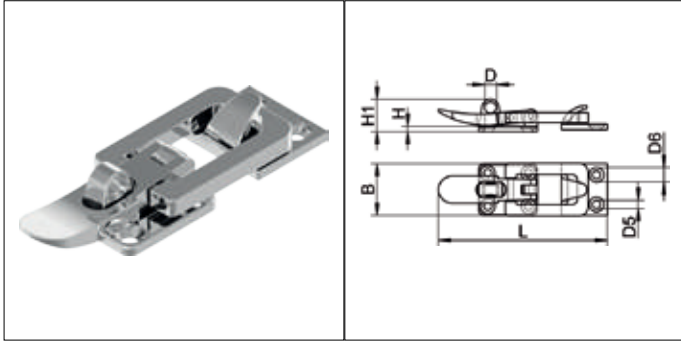
### Anahtarlı Kilit



| L mm | B mm | H mm | A mm | C mm | Art.-Nr.            | Amb. Ad. |
|------|------|------|------|------|---------------------|----------|
| 38   | 19   | 15   | 50   | 32   | <b>5176 053 260</b> | 5        |

A2/AISI 304

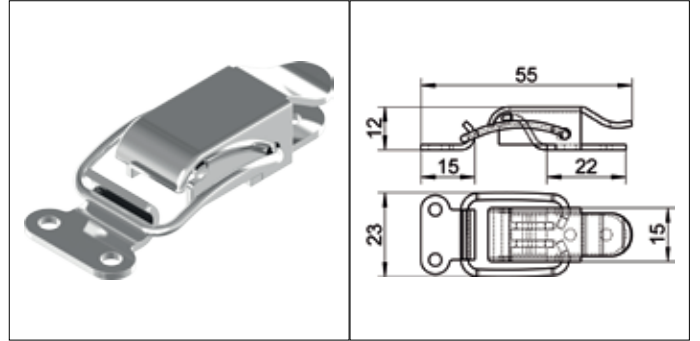
### Kapak Kilidi



| L mm | B mm | Art.-Nr.     | Amb. Ad. |
|------|------|--------------|----------|
| 70   | 28   | 5176 053 262 | 4        |

A4/AISI 316

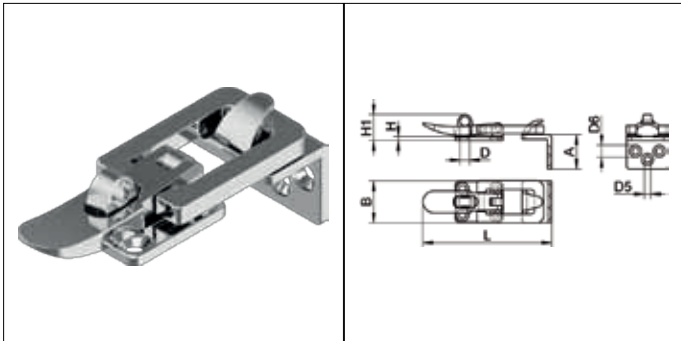
### Kapak Kilidi



| SWL kN | Art.-Nr.     | Amb. Ad. |
|--------|--------------|----------|
| 0,5    | 5176 053 023 | 12       |

A2/AISI 304

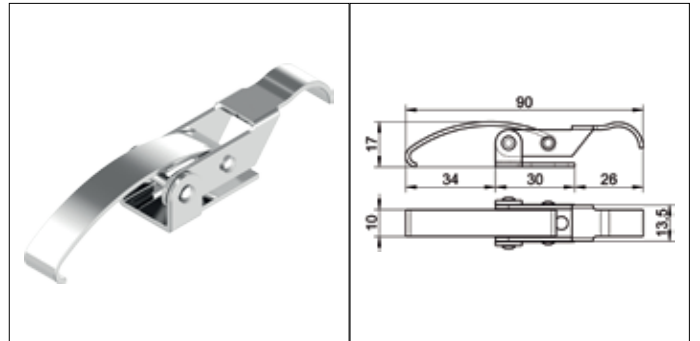
### Kapak Kilidi



| L mm | B mm | A mm | H mm | Art.-Nr.     | Amb. Ad. |
|------|------|------|------|--------------|----------|
| 62   | 28   | 23   | 3    | 5176 053 263 | 4        |

A4/AISI 316

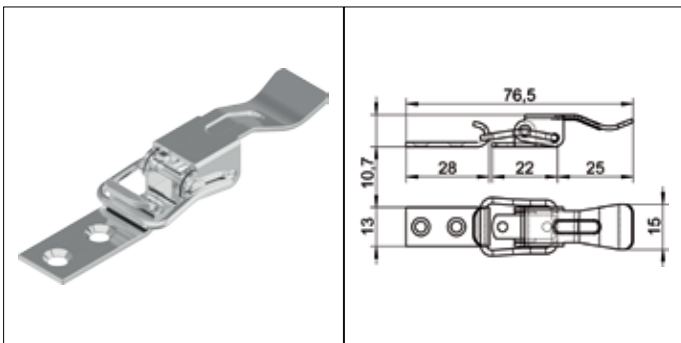
### Kapak Kilidi



| SWL kN | Art.-Nr.     | Amb. Ad. |
|--------|--------------|----------|
| 0,5    | 5176 053 024 | 12       |

A2/AISI 304

### Kapak Kilidi

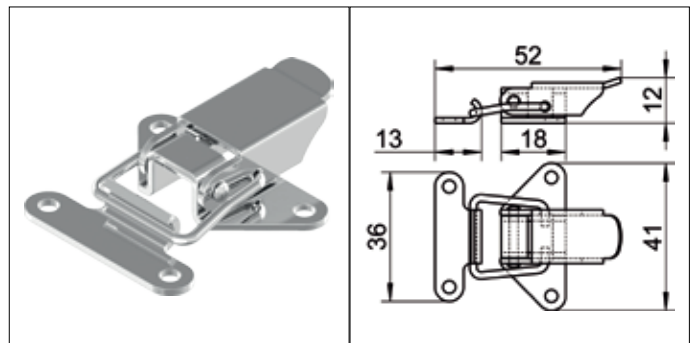


| SWL kN | Art.-Nr.     | Amb. Ad. |
|--------|--------------|----------|
| 0,4    | 5176 053 022 | 12       |

A2/AISI 304

36 PASLANMAZ MARİN AKSESUARLARI

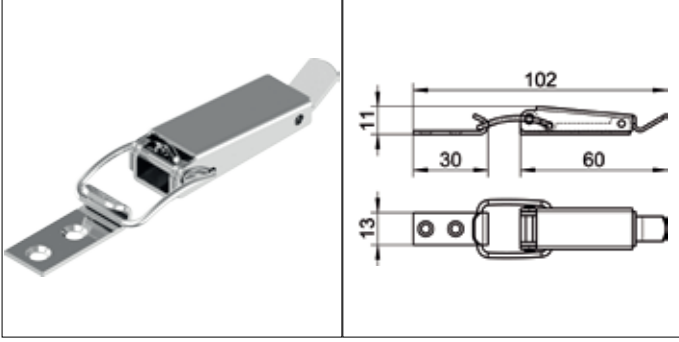
### Kapak Kilidi



| SWL kN | Art.-Nr.     | Amb. Ad. |
|--------|--------------|----------|
| 0,55   | 5176 053 025 | 12       |

A2/AISI 304

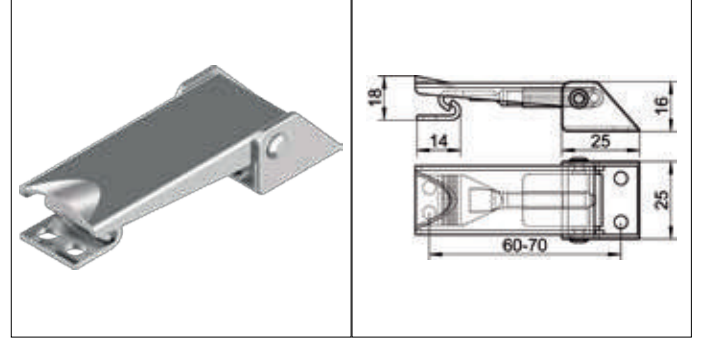
## Kapak Kilidi



| SWL<br>kN | Art.-Nr.            | Amb.<br>Ad. |
|-----------|---------------------|-------------|
| 0,2       | <b>5176 053 026</b> | 12          |

A2/AISI 304

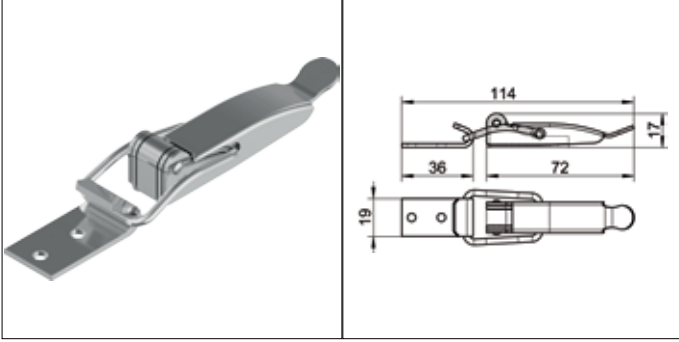
## Kapak Kilidi



| SWL<br>kN | Art.-Nr.            | Amb.<br>Ad. |
|-----------|---------------------|-------------|
| 1,0       | <b>5176 053 028</b> | 12          |

A2/AISI 304

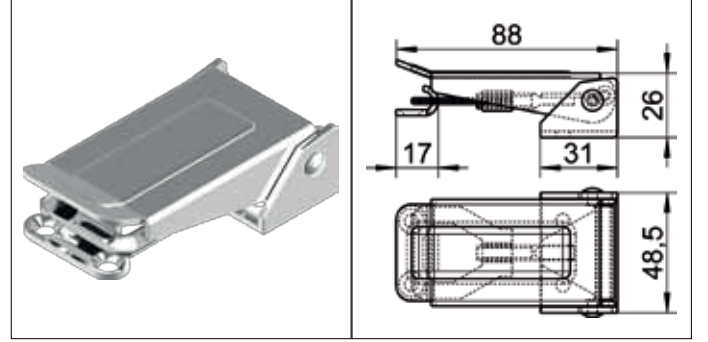
## Kapak Kilidi



| SWL<br>kN | Art.-Nr.            | Amb.<br>Ad. |
|-----------|---------------------|-------------|
| 1,0       | <b>5176 053 027</b> | 12          |

A2/AISI 304

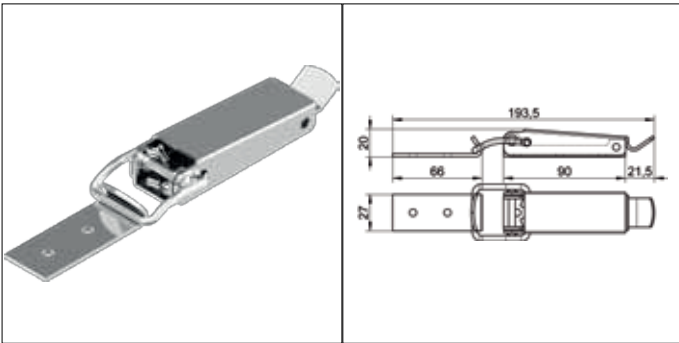
## Kapak Kilidi



| SWL<br>kN | Art.-Nr.            | Amb.<br>Ad. |
|-----------|---------------------|-------------|
| 1,5       | <b>5176 053 030</b> | 12          |

A2/AISI 304

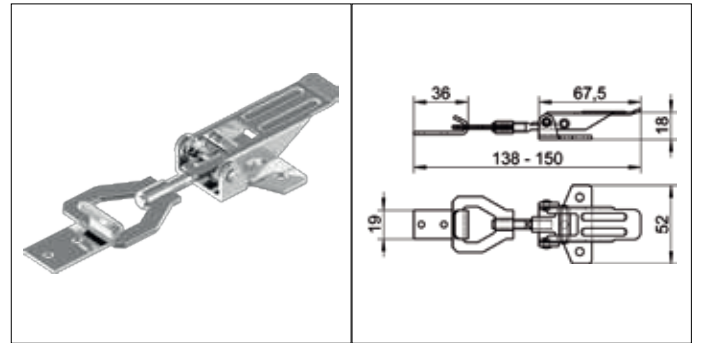
## Kapak Kilidi



| SWL<br>kN | Art.-Nr.            | Amb.<br>Ad. |
|-----------|---------------------|-------------|
| 2,0       | <b>5176 053 029</b> | 12          |

A2/AISI 304

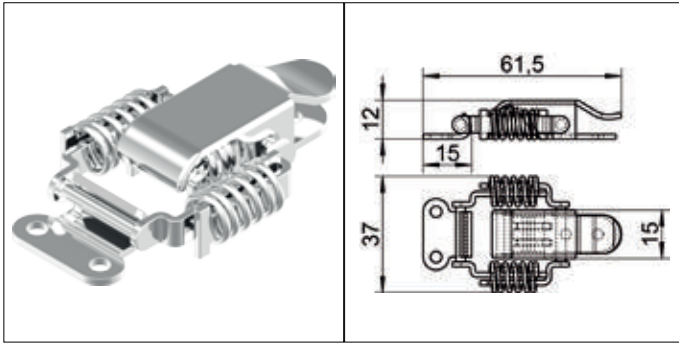
## Kapak Kilidi, Gergi Ayarlı



| SWL<br>kN | Art.-Nr.            | Amb.<br>Ad. |
|-----------|---------------------|-------------|
| 1,1       | <b>5176 053 031</b> | 12          |

A2/AISI 304

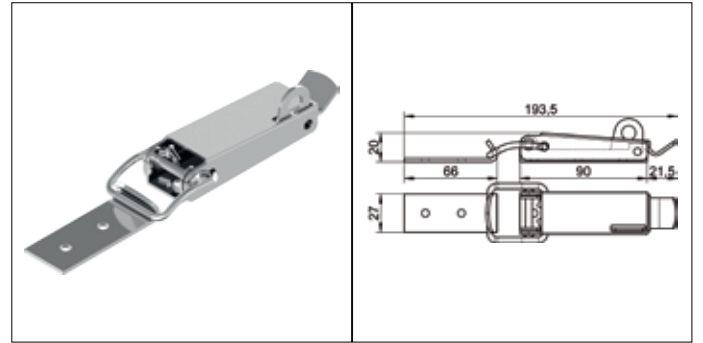
### Kapak Kilidi



| SWL<br>kN | Art.-Nr.            | Amb.<br>Ad. |
|-----------|---------------------|-------------|
| 0,5       | <b>5176 053 032</b> | 12          |

A2/AISI 304

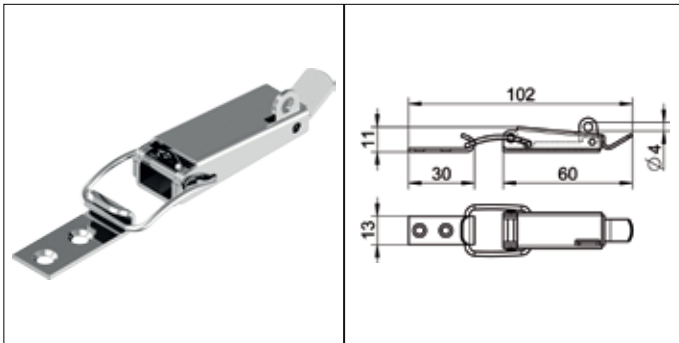
### Kapak Kilidi



| SWL<br>kN | Art.-Nr.            | Amb.<br>Ad. |
|-----------|---------------------|-------------|
| 2,0       | <b>5176 053 035</b> | 12          |

A2/AISI 304

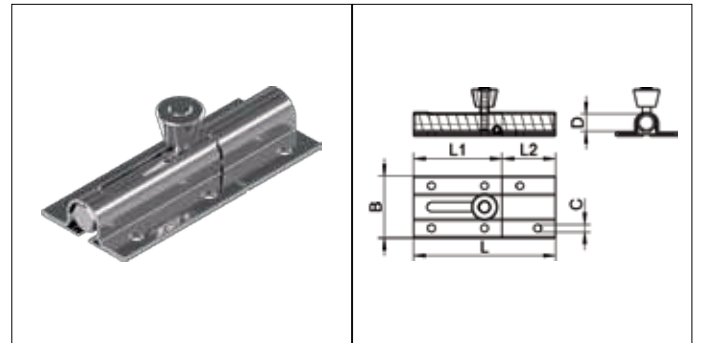
### Kapak Kilidi



| SWL<br>kN | Art.-Nr.            | Amb.<br>Ad. |
|-----------|---------------------|-------------|
| 0,55      | <b>5176 053 033</b> | 12          |

A2/AISI 304

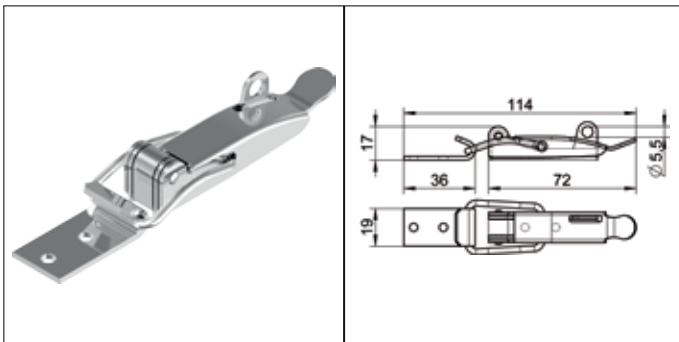
### Sürgülü Kilit



| Tip | L<br>mm | B<br>mm | L1<br>mm | L2<br>mm | C<br>mm | Art.-Nr.            | Amb.<br>Ad. |
|-----|---------|---------|----------|----------|---------|---------------------|-------------|
| A   | 80      | 36      | 50       | 30       | 4       | <b>5176 053 041</b> | 4           |
| B   | 120     | 36      | 75       | 45       | 4       | <b>5176 053 042</b> | 4           |

A2/AISI 304

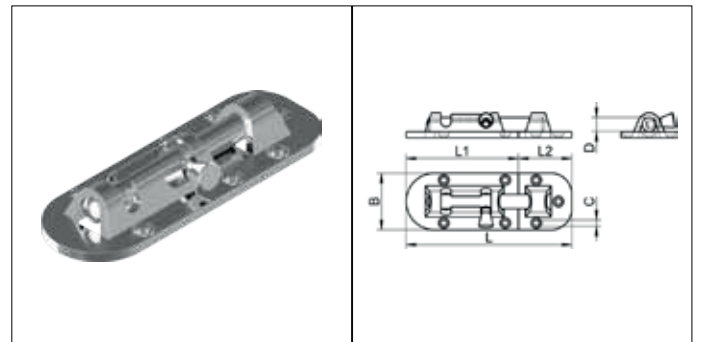
### Kapak Kilidi



| SWL<br>kN | Art.-Nr.            | Amb.<br>Ad. |
|-----------|---------------------|-------------|
| 1,0       | <b>5176 053 034</b> | 12          |

A2/AISI 304

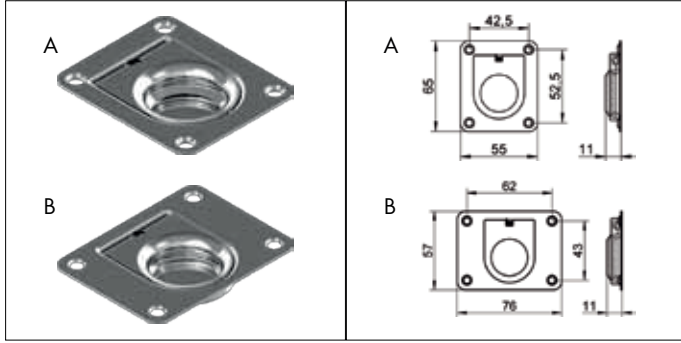
### Sürgülü Kilit



| Tip | L<br>mm | B<br>mm | L1<br>mm | L2<br>mm | D<br>mm | Art.-Nr.            | Amb.<br>Ad. |
|-----|---------|---------|----------|----------|---------|---------------------|-------------|
| A   | 60      | 30      | 45       | 15       | 9,5     | <b>5176 053 264</b> | 5           |
| B   | 112     | 38      | 76       | 36       | 9,5     | <b>5176 053 265</b> | 5           |

A2/AISI 304

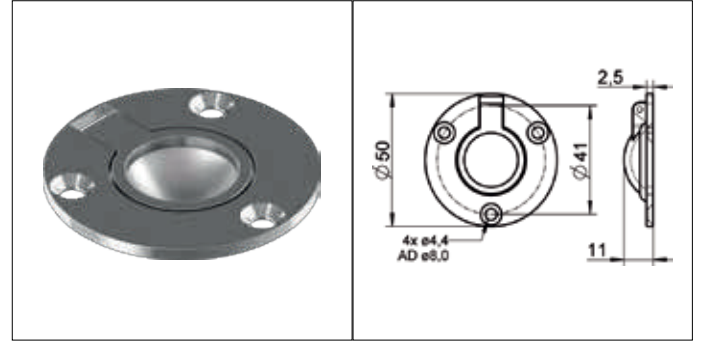
## Gömme Kulp



| Type | L mm | B mm | H mm | Art.-Nr.            | Amb. Ad. |
|------|------|------|------|---------------------|----------|
| A    | 65   | 55   | 11   | <b>5176 053 267</b> | 5        |
| B    | 57   | 76   | 11   | <b>5176 053 266</b> | 5        |

A2/AISI 304

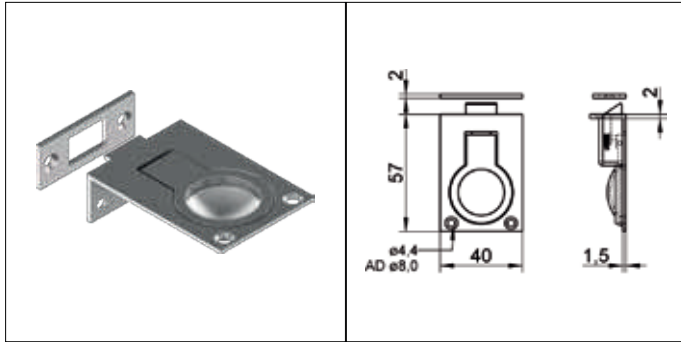
## Gömme Kulp



| D mm | H mm | Art.-Nr.            | Amb. Ad. |
|------|------|---------------------|----------|
| 50   | 10   | <b>5176 053 270</b> | 5        |

A4/AISI 316

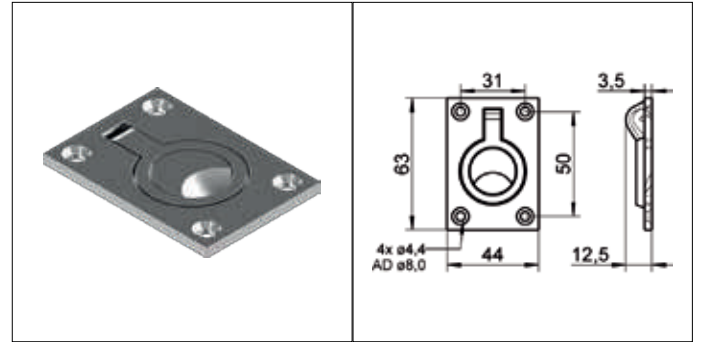
## Gömme Kulp



| L mm | B mm | Art.-Nr.            | Amb. Ad. |
|------|------|---------------------|----------|
| 58   | 40   | <b>5176 053 268</b> | 5        |

A4/AISI 316

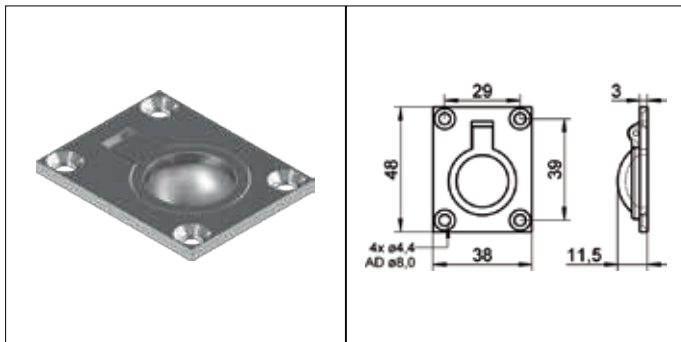
## Gömme Kulp



| L mm | B mm | H mm | Art.-Nr.            | Amb. Ad. |
|------|------|------|---------------------|----------|
| 63   | 44   | 12   | <b>5176 053 271</b> | 5        |

A4/AISI 316

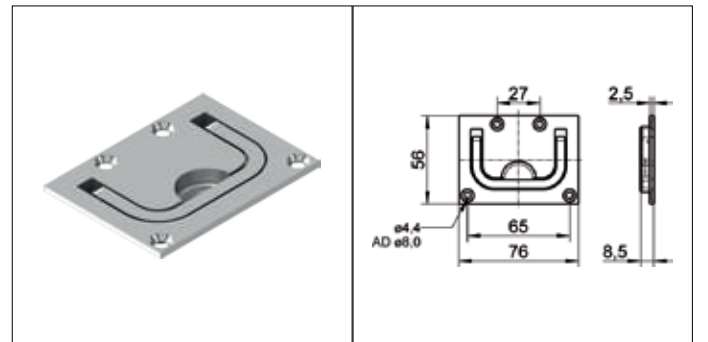
## Gömme Kulp



| Type | L mm | B mm | H mm | Art.-Nr.            | Amb. Ad. |
|------|------|------|------|---------------------|----------|
| A    | 46   | 38   | 12   | <b>5176 053 269</b> | 5        |

A4/AISI 316

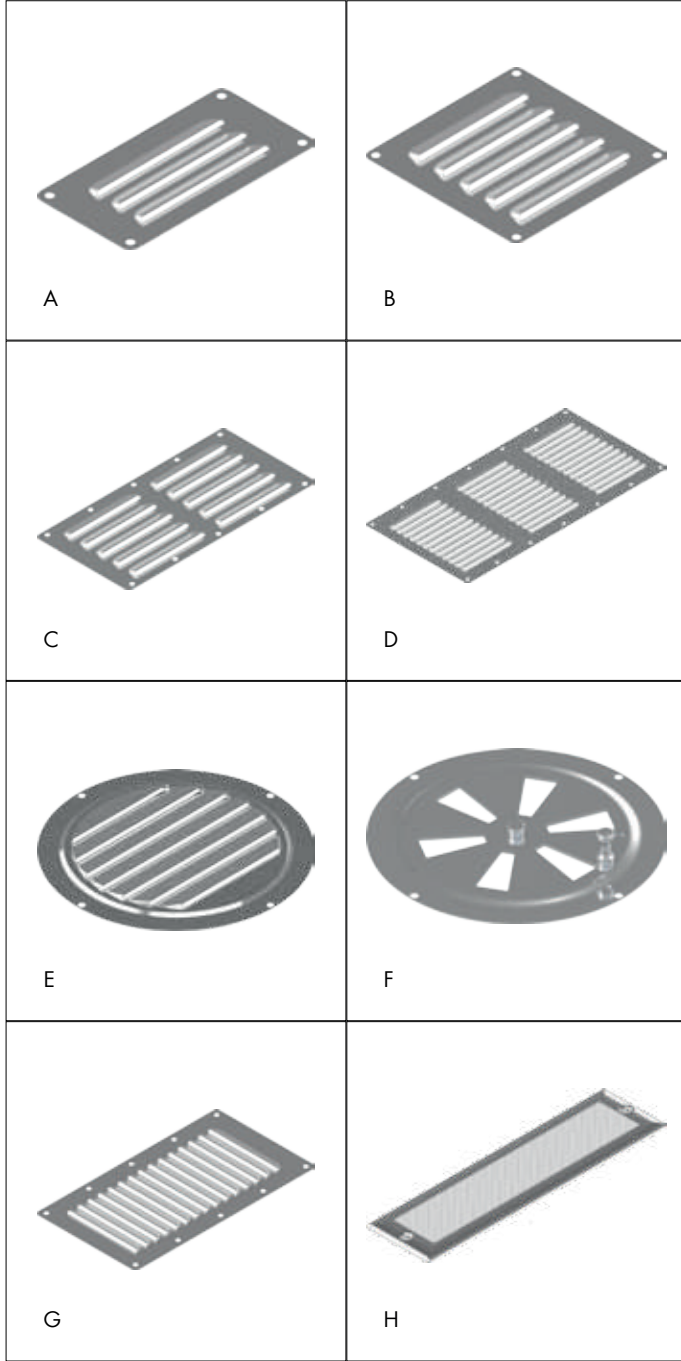
## Gömme Kulp



| L mm | B mm | H mm | Art.-Nr.            | Amb. Ad. |
|------|------|------|---------------------|----------|
| 76   | 56   | 9    | <b>5176 053 272</b> | 5        |

A4/AISI 316

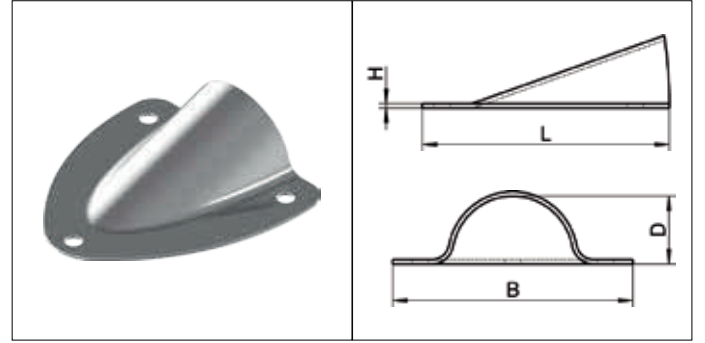
## Havalandırma



| Type | L mm  | B mm | S mm         | Art.No.             | Amb. Ad. |
|------|-------|------|--------------|---------------------|----------|
| A    | 127   | 66   | 0,6          | <b>5176 053 275</b> | 5        |
| B    | 120   | 120  | 0,6          | <b>5176 053 276</b> | 5        |
| C    | 350   | 115  | 0,6          | <b>5176 053 277</b> | 5        |
| D    | 358   | 184  | 0,6          | <b>5176 053 278</b> | 5        |
| E    | Ø 125 | -    | 0,6          | <b>5176 053 279</b> | 5        |
| F    | Ø 125 | -    | 0,7          | <b>5176 053 280</b> | 5        |
| G    | 227   | 126  | 0,6          | <b>5176 053 281</b> | 5        |
| H    | 212   | 57   | met RVS zeef | <b>5176 053 282</b> | 5        |

A2/AISI 304

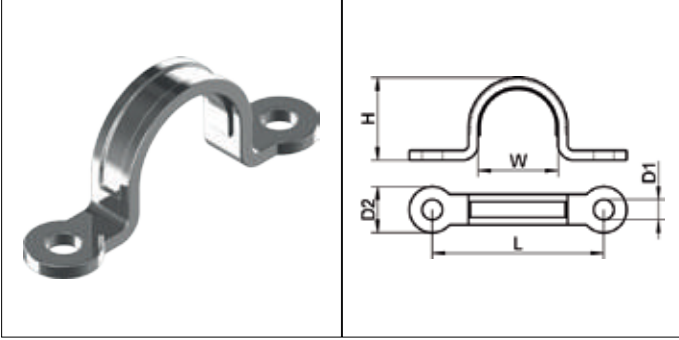
## Su Firarı



| Type | L mm | B mm | D mm | H mm | Art.No.             | Amb. Ad. |
|------|------|------|------|------|---------------------|----------|
| A    | 45   | 43   | 12   | 1    | <b>5176 053 283</b> | 10       |
| B    | 57   | 55   | 16   | 1    | <b>5176 053 284</b> | 10       |

A4/AISI 316

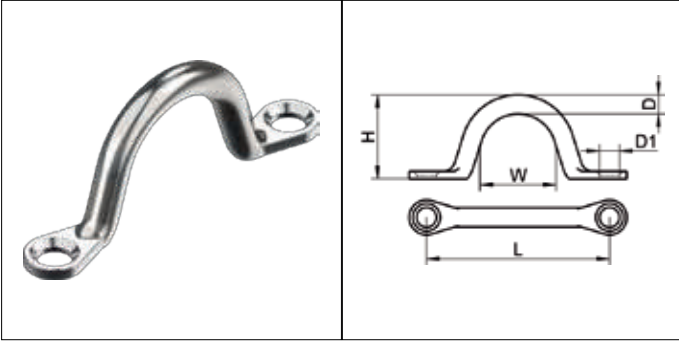
## Köprü



| D1 mm | D2 mm | L mm | W mm | H mm | Art.No.             | Amb. Ad. |
|-------|-------|------|------|------|---------------------|----------|
| 4,2   | 10    | 29   | 13   | 12   | <b>5176 053 043</b> | 100      |
| 5,0   | 11    | 35   | 16   | 16   | <b>5176 053 044</b> | 100      |
| 5,3   | 12    | 45   | 21   | 21   | <b>5176 053 045</b> | 100      |

A2/AISI 304

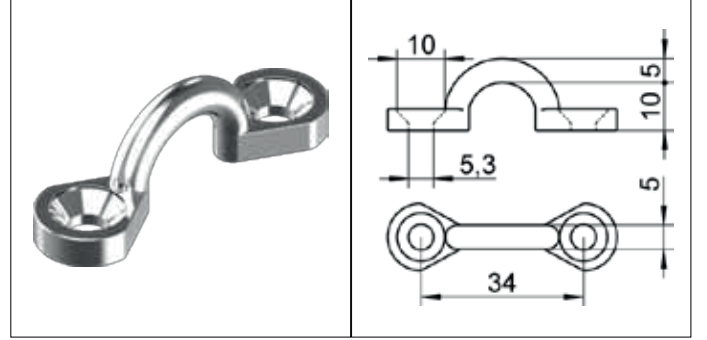
## Köprü



| D mm | L mm | H mm | W mm | D1 mm | Art.No.             | Amb. Ad. |
|------|------|------|------|-------|---------------------|----------|
| 5    | 38   | 18   | 16   | 4,2   | <b>5176 053 046</b> | 50       |
| 6    | 48   | 22   | 20   | 5,2   | <b>5176 053 047</b> | 50       |
| 8    | 49   | 24   | 20   | 5,6   | <b>5176 053 048</b> | 20       |

A2/AISI 304

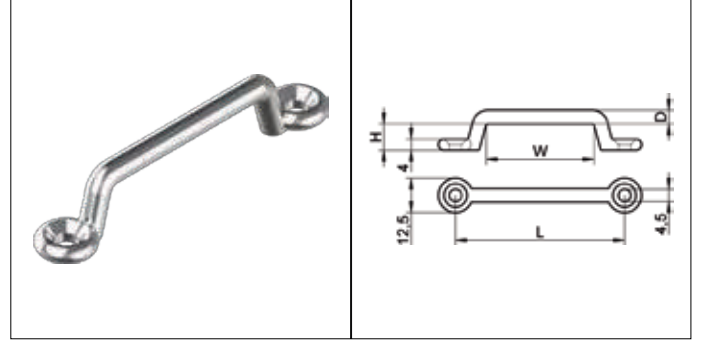
## Köprü



| D mm | L mm | H mm | W mm | D1 mm | Art.No.             | Amb. Ad. |
|------|------|------|------|-------|---------------------|----------|
| 5    | 34   | 15   | 10   | 5,3   | <b>5176 053 049</b> | 10       |

A4/AISI 316

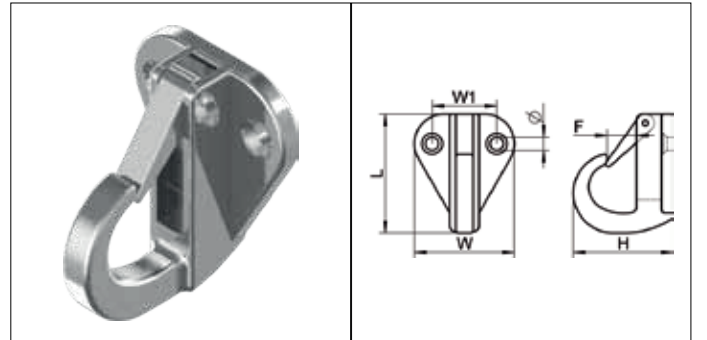
## Köprü



| Type | L mm | W mm | H mm | D mm | D1 mm | Art.No.             | Amb. Ad. |
|------|------|------|------|------|-------|---------------------|----------|
| A    | 52   | 28   | 9,5  | 5    | 4,5   | <b>5176 053 050</b> | 10       |
| B    | 62   | 38   | 9,5  | 5    | 4,5   | <b>5176 053 051</b> | 10       |

A2/AISI 304

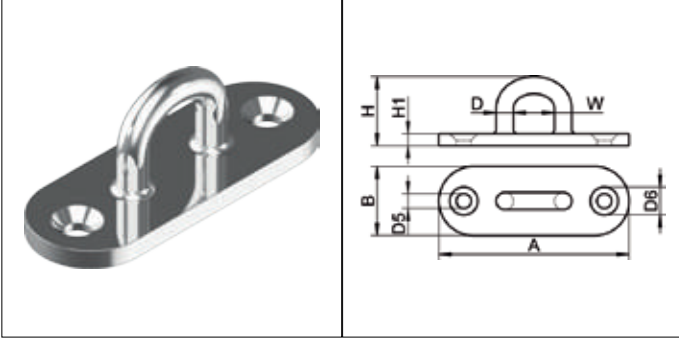
## Kanca



| Type | H mm | L mm | W mm | F mm | W1 mm | Art.No.             | Amb. Ad. |
|------|------|------|------|------|-------|---------------------|----------|
| A    | 24   | 38   | 34   | 8    | 20    | <b>5176 053 052</b> | 5        |
| B    | 34   | 40   | 34   | 14   | 20    | <b>5176 053 053</b> | 5        |

A4/AISI 316

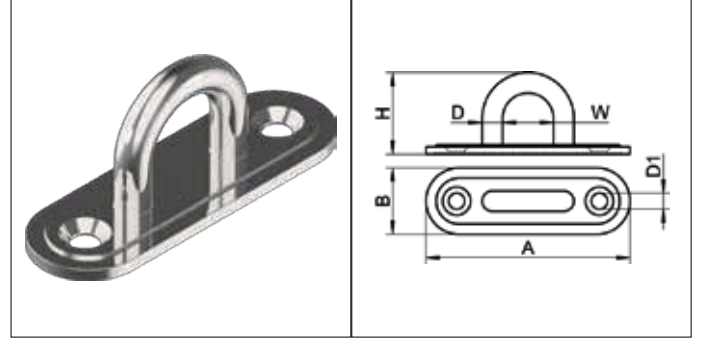
## Baklava Mapa



| Type | A mm | B mm | W mm | D mm | H mm | H1 mm | D5 mm | Art.No.             | Amb. Ad. |
|------|------|------|------|------|------|-------|-------|---------------------|----------|
| A    | 75   | 22   | 16   | 7,5  | 24   | 5,0   | 6,8   | <b>5176 053 054</b> | 10       |
| B    | 88   | 32   | 19   | 8,0  | 28   | 5,5   | 6,8   | <b>5176 053 055</b> | 10       |
| C    | 100  | 36   | 22   | 9,0  | 34   | 5,5   | 6,8   | <b>5176 053 056</b> | 6        |

A4/AISI 316

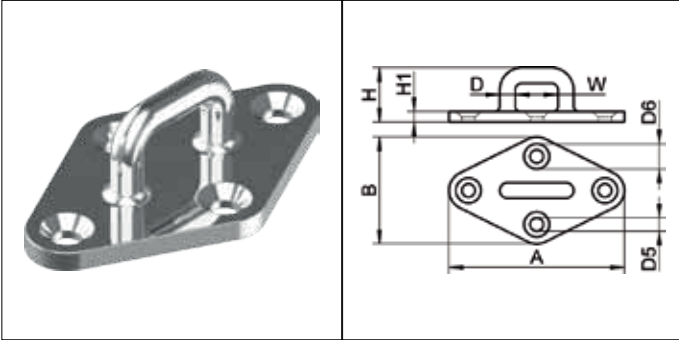
## Baklava Mapa



| Type | A mm | B mm | D mm | H mm | W mm | D1 mm | Art.No.             | Amb. Ad. |
|------|------|------|------|------|------|-------|---------------------|----------|
| A    | 45   | 15   | 5    | 20   | 12   | 4,0   | <b>5176 053 060</b> | 10       |
| B    | 60   | 20   | 6    | 26   | 19   | 5,0   | <b>5176 053 061</b> | 10       |
| C    | 80   | 26   | 8    | 32   | 22   | 6,0   | <b>5176 053 062</b> | 10       |
| D    | 100  | 36   | 9    | 38   | 26   | 6,5   | <b>5176 053 063</b> | 10       |

A2/AISI 304

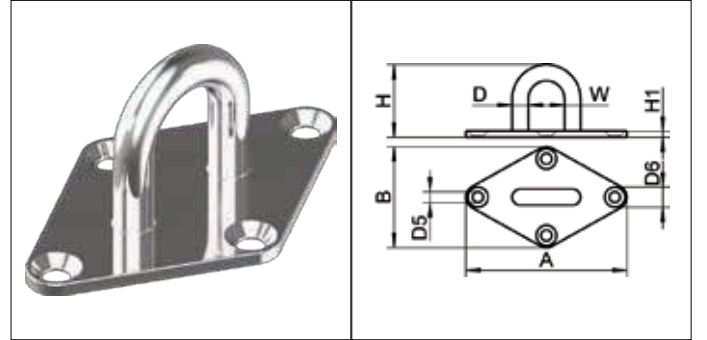
## Baklava Mapa



| Type | A mm | B mm | W mm | H mm | D mm | H1 mm | D5 mm | Art.No.             | Amb. Ad. |
|------|------|------|------|------|------|-------|-------|---------------------|----------|
| A    | 80   | 50   | 19   | 24   | 7,5  | 5,0   | 6,8   | <b>5176 053 057</b> | 6        |
| B    | 90   | 55   | 22   | 28   | 8,0  | 5,5   | 6,8   | <b>5176 053 058</b> | 10       |
| C    | 100  | 62   | 25   | 34   | 9,0  | 6,0   | 6,8   | <b>5176 053 059</b> | 10       |

A4/AISI 316

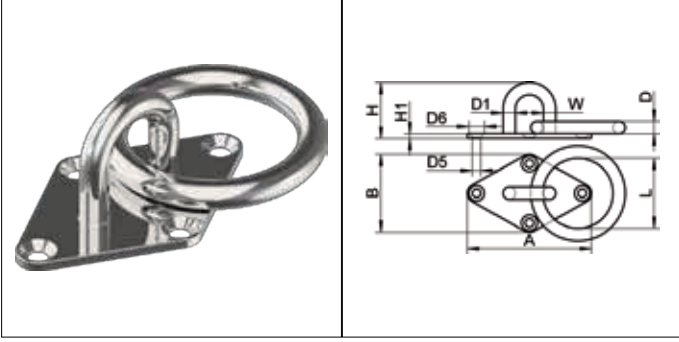
## Baklava Mapa



| Type | A mm | B mm | W mm | H mm | D mm | D5 mm | H1 mm | Art.No.             | Amb. Ad. |
|------|------|------|------|------|------|-------|-------|---------------------|----------|
| A    | 59   | 37   | 11   | 22   | 5    | 4,2   | 3     | <b>5176 053 064</b> | 5        |
| B    | 64   | 40   | 15   | 27   | 6    | 4,2   | 3     | <b>5176 053 065</b> | 5        |
| C    | 80   | 50   | 18   | 32   | 8    | 5,5   | 3     | <b>5176 053 066</b> | 5        |

A2/AISI 304

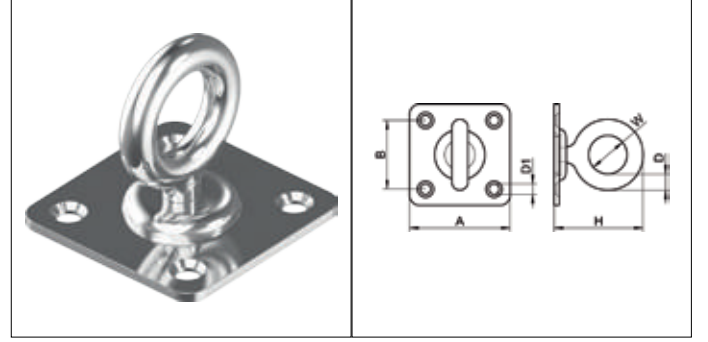
## Baklava Mapa, Halkalı



| Type | A mm | B mm | H mm | W mm | D mm | D1 mm | L mm | H1 mm | D5 mm | Art.No.             | Amb. Ad. |
|------|------|------|------|------|------|-------|------|-------|-------|---------------------|----------|
| A    | 59   | 37   | 22   | 11   | 5    | 4,2   | 30   | 3     | 4,5   | <b>5176 053 067</b> | 5        |
| B    | 64   | 40   | 22   | 15   | 6    | 6,0   | 35   | 3     | 4,5   | <b>5176 053 068</b> | 5        |
| C    | 80   | 50   | 32   | 18   | 8    | 8,0   | 45   | 3     | 5,5   | <b>5176 053 069</b> | 5        |

A2/AISI 304

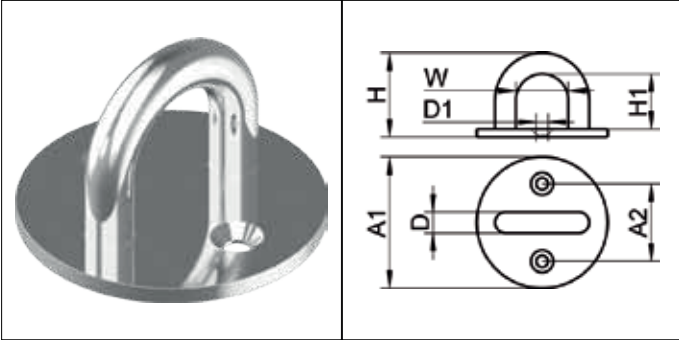
## Mapa



| Type | A mm | B mm | H mm | W mm | D mm | D1 mm | Art.No.             | Amb. Ad. |
|------|------|------|------|------|------|-------|---------------------|----------|
| A    | 35   | 35   | 35   | 15   | 5    | 4,2   | <b>5176 053 073</b> | 5        |
| B    | 40   | 40   | 40   | 18   | 6    | 5,2   | <b>5176 053 074</b> | 5        |
| C    | 50   | 50   | 45   | 19   | 8    | 5,2   | <b>5176 053 075</b> | 5        |

A2/AISI 304

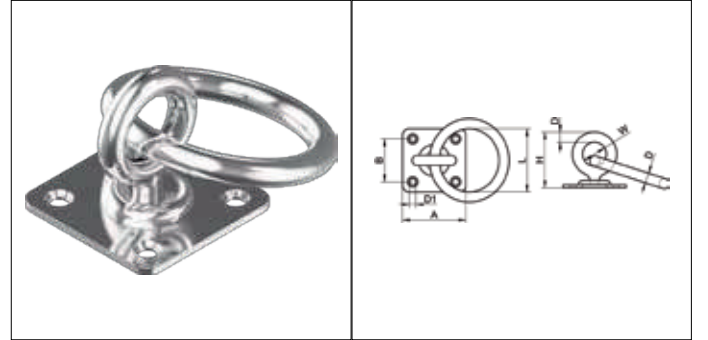
## Mapa



| Type | A1 mm | A2 mm | H mm | H1 mm | W mm | D mm | D1 mm | Art.No.             | Amb. Ad. |
|------|-------|-------|------|-------|------|------|-------|---------------------|----------|
| A    | 33    | 18    | 19   | 11    | 13   | 5    | 4,5   | <b>5176 053 070</b> | 10       |
| B    | 40    | 22    | 26   | 17    | 16   | 6    | 4,5   | <b>5176 053 071</b> | 10       |
| C    | 50    | 28    | 32   | 21    | 20   | 8    | 4,5   | <b>5176 053 072</b> | 10       |

A2/AISI 304

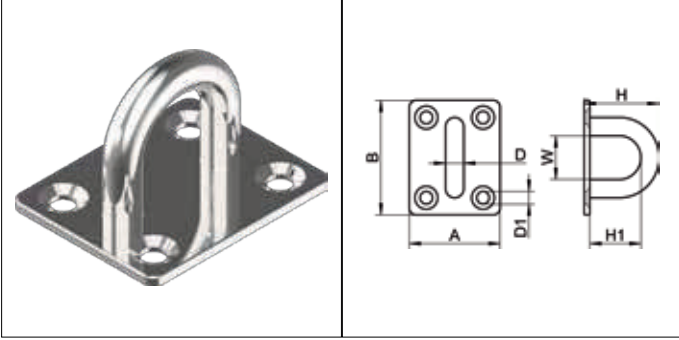
## Mapa, Halkalı



| Type | A mm | B mm | H mm | W mm | D mm | D1 mm | L mm | Art.No.             | Amb. Ad. |
|------|------|------|------|------|------|-------|------|---------------------|----------|
| A    | 35   | 35   | 35   | 15   | 5    | 4,2   | 30   | <b>5176 053 076</b> | 5        |
| B    | 40   | 40   | 40   | 18   | 6    | 5,2   | 40   | <b>5176 053 077</b> | 5        |
| C    | 50   | 50   | 45   | 19   | 8    | 5,2   | 50   | <b>5176 053 078</b> | 5        |

A2/AISI 304

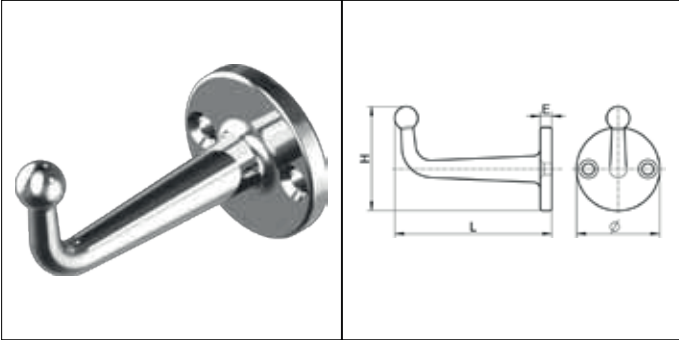
## Mapa



| Type | A mm | B mm | H mm | H1 mm | W mm | D mm | D1 mm | Art.No.             | Amb. Ad. |
|------|------|------|------|-------|------|------|-------|---------------------|----------|
| A    | 30   | 35   | 19   | 12    | 14   | 5    | 4,2   | <b>5176 053 079</b> | 20       |
| B    | 35   | 40   | 26   | 17    | 18   | 6    | 4,2   | <b>5176 053 080</b> | 20       |
| C    | 40   | 50   | 33   | 22    | 20   | 8    | 5,2   | <b>5176 053 081</b> | 10       |

A2/AISI 304

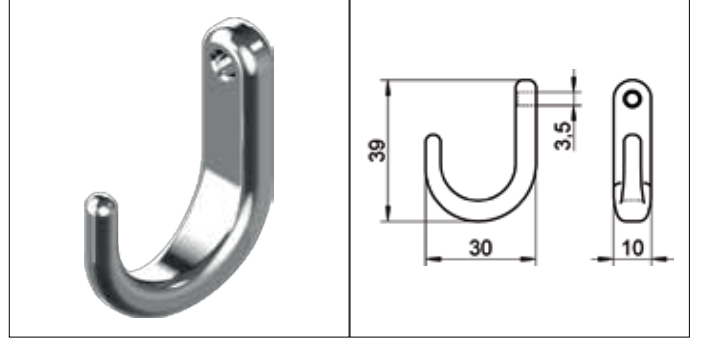
## Askı



| Type | L mm | H mm | E mm | Art.No.             | Amb. Ad. |
|------|------|------|------|---------------------|----------|
| A    | 47   | 37   | 3,5  | <b>5176 053 082</b> | 5        |
| B    | 68   | 45   | 5,0  | <b>5176 053 083</b> | 5        |

A2/AISI 304

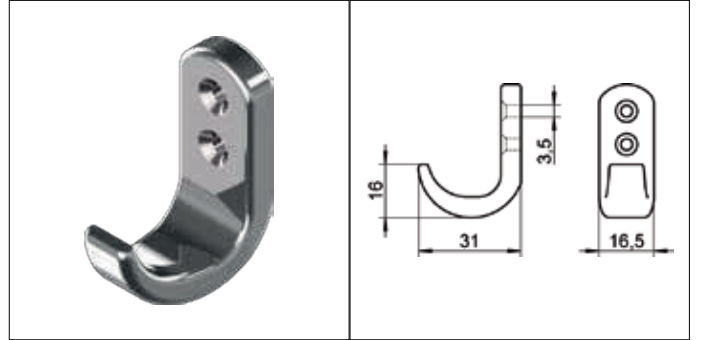
## Askı



| H mm | W mm | Art.No.             | Amb. Ad. |
|------|------|---------------------|----------|
| 39   | 30   | <b>5176 053 084</b> | 5        |

A4/AISI 316

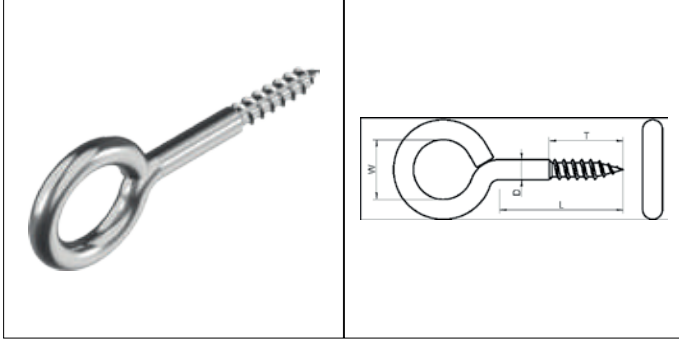
## Askı



| H mm | W mm | Art.No.             | Amb. Ad. |
|------|------|---------------------|----------|
| 40   | 31   | <b>5176 053 085</b> | 5        |

A2/AISI 304

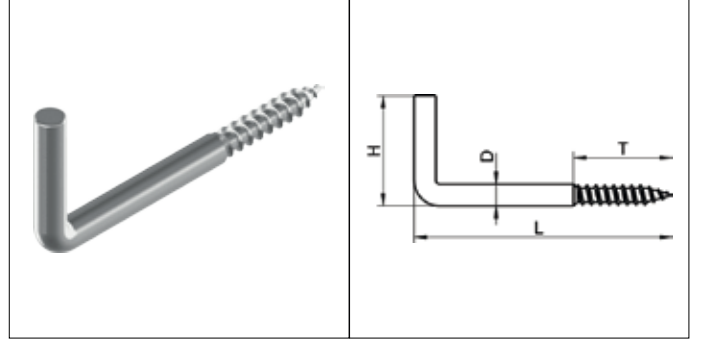
## Mapa, Vidalı



| D mm | L mm | T mm | W mm | Art.No.             | Amb. Ad. |
|------|------|------|------|---------------------|----------|
| 3,3  | 16   | 10   | 8    | <b>5176 054 008</b> | 50       |
| 3,7  | 20   | 12   | 10   | <b>5176 054 010</b> | 50       |
| 4,0  | 25   | 15   | 12   | <b>5176 054 012</b> | 50       |
| 4,4  | 30   | 18   | 14   | <b>5176 054 014</b> | 50       |

A2/AISI 304

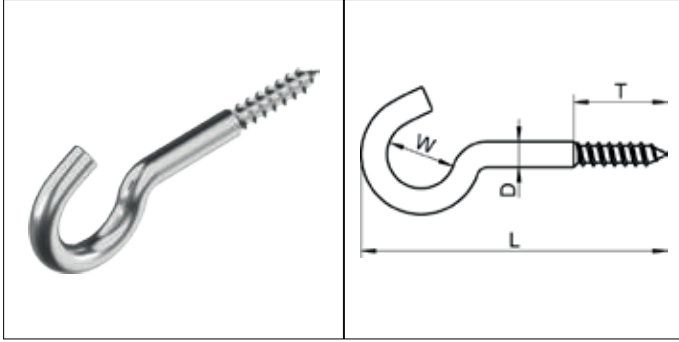
## L-Kanca, Vidalı



| D mm | L mm | T mm | H mm | Art.No.             | Amb. Ad. |
|------|------|------|------|---------------------|----------|
| 3,0  | 30   | 12   | 13   | <b>5176 056 030</b> | 50       |
| 3,5  | 40   | 15   | 15   | <b>5176 056 040</b> | 50       |
| 4,0  | 45   | 15   | 18   | <b>5176 056 045</b> | 50       |
| 4,5  | 50   | 20   | 20   | <b>5176 056 050</b> | 50       |
| 5,0  | 60   | 20   | 20   | <b>5176 056 060</b> | 50       |

A2/AISI 304

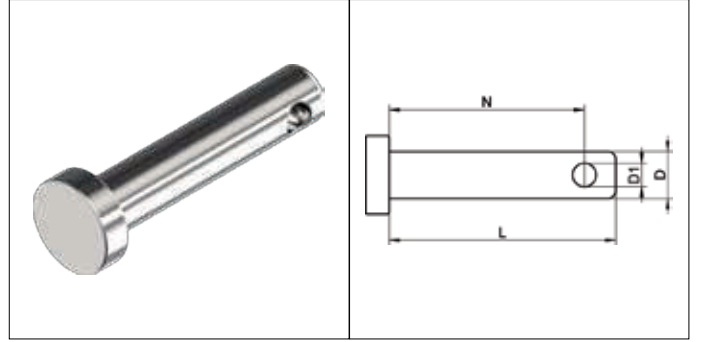
## Kanca, Vidalı



| D mm | L mm | T mm | W mm | Art.No.             | Amb. Ad. |
|------|------|------|------|---------------------|----------|
| 3,3  | 40   | 10   | 14   | <b>5176 055 014</b> | 50       |
| 3,5  | 50   | 12   | 17   | <b>5176 055 017</b> | 50       |
| 3,5  | 60   | 15   | 20   | <b>5176 055 020</b> | 50       |
| 4,4  | 50   | 16   | 16   | <b>5176 055 016</b> | 50       |
| 4,4  | 65   | 16   | 22   | <b>5176 055 022</b> | 50       |
| 5,2  | 80   | 21   | 27   | <b>5176 055 027</b> | 50       |
| 6,0  | 100  | 28   | 25   | <b>5176 055 025</b> | 50       |

A2/AISI 304

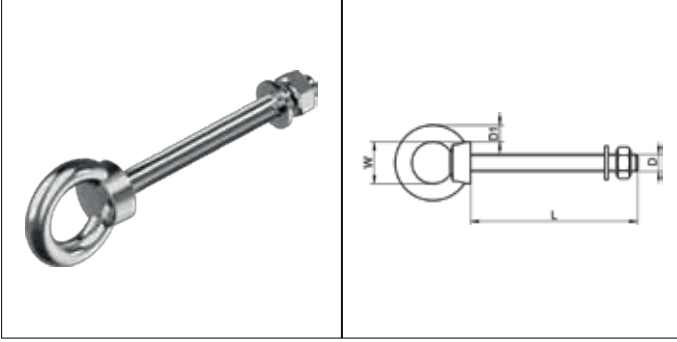
## Çatal Pim



| Type | D mm  | L mm | N mm | D1 mm | Art.No.             | Amb. Ad. |
|------|-------|------|------|-------|---------------------|----------|
| A    | 4,00  | 14,0 | 11,0 | 2     | <b>5176 058 001</b> | 5        |
| B    | 4,00  | 19,0 | 16,0 | 2     | <b>5176 058 002</b> | 5        |
| C    | 5,00  | 15,0 | 11,0 | 2,5   | <b>5176 058 003</b> | 5        |
| D    | 5,00  | 18,0 | 14,0 | 2,5   | <b>5176 058 004</b> | 5        |
| E    | 5,00  | 21,0 | 17,0 | 2,5   | <b>5176 058 005</b> | 5        |
| F    | 6,00  | 15,0 | 11,0 | 2,5   | <b>5176 058 006</b> | 5        |
| G    | 6,00  | 20,0 | 16,0 | 2,5   | <b>5176 058 007</b> | 5        |
| H    | 6,00  | 25,0 | 21,0 | 2,5   | <b>5176 058 008</b> | 5        |
| I    | 6,00  | 29,0 | 25,0 | 2,5   | <b>5176 058 009</b> | 5        |
| J    | 6,00  | 36,0 | 32,0 | 2,5   | <b>5176 058 010</b> | 5        |
| K    | 6,00  | 45,0 | 41,0 | 2,5   | <b>5176 058 011</b> | 5        |
| N    | 8,00  | 21,0 | 17,0 | 3     | <b>5176 058 012</b> | 5        |
| O    | 8,00  | 24,0 | 20,0 | 3     | <b>5176 058 013</b> | 5        |
| P    | 8,00  | 27,0 | 23,0 | 3     | <b>5176 058 014</b> | 5        |
| Q    | 8,00  | 32,0 | 28,0 | 3     | <b>5176 058 015</b> | 5        |
| R    | 9,50  | 26,0 | 22,0 | 3     | <b>5176 058 016</b> | 5        |
| S    | 9,50  | 30,0 | 26,0 | 3     | <b>5176 058 017</b> | 5        |
| T    | 10,00 | 30,0 | 26,0 | 3     | <b>5176 058 018</b> | 5        |
| U    | 11,00 | 30,0 | 25,0 | 3     | <b>5176 058 019</b> | 5        |
| V    | 12,00 | 30,0 | 26,0 | 3     | <b>5176 058 020</b> | 5        |
| W    | 15,00 | 41,0 | 36,0 | 4     | <b>5176 058 021</b> | 5        |

A4/AISI 316

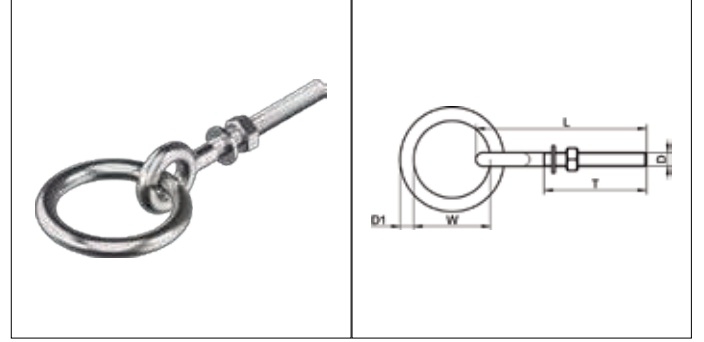
## Cıvatalı Mapa



| D mm | L mm | D1 mm | W mm | Art.No.             | Amb. Ad. |
|------|------|-------|------|---------------------|----------|
| M6   | 40   | 5     | 15   | <b>5176 059 001</b> | 10       |
| M6   | 60   | 5     | 15   | <b>5176 059 002</b> | 10       |
| M6   | 80   | 5     | 15   | <b>5176 059 003</b> | 10       |
| M8   | 80   | 6     | 20   | <b>5176 059 004</b> | 10       |
| M8   | 100  | 6     | 20   | <b>5176 059 005</b> | 10       |
| M10  | 100  | 8     | 25   | <b>5176 059 006</b> | 10       |
| M12  | 120  | 10    | 30   | <b>5176 059 007</b> | 10       |

A4/AISI 316

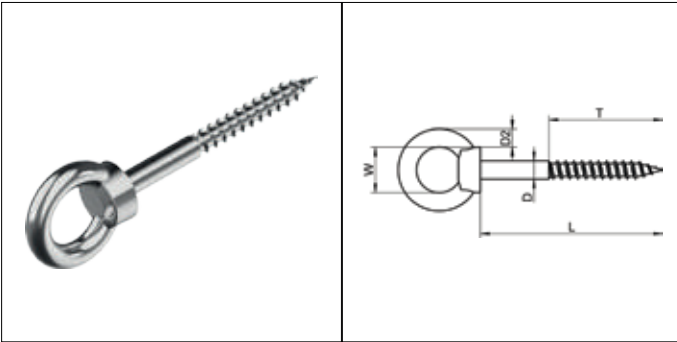
## Cıvatalı Mapa, Halkalı



| D mm | D1 mm | L mm | T mm | W mm | Art.No.             | Amb. Ad. |
|------|-------|------|------|------|---------------------|----------|
| M6   | 6     | 90   | 55   | 35   | <b>5176 060 006</b> | 10       |
| M8   | 8     | 100  | 60   | 45   | <b>5176 060 008</b> | 10       |
| M10  | 10    | 130  | 80   | 50   | <b>5176 060 010</b> | 10       |
| M12  | 12    | 150  | 90   | 60   | <b>5176 060 012</b> | 10       |

A4/AISI 316

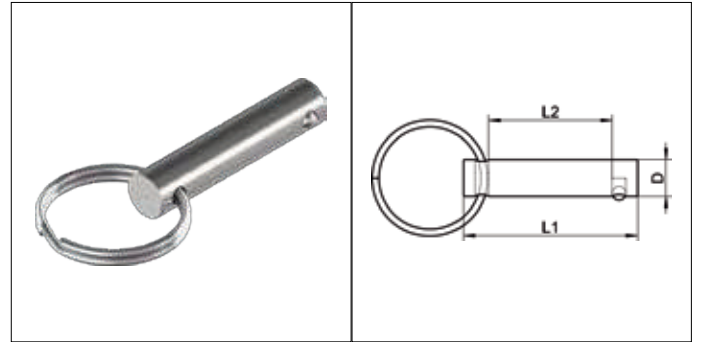
## Mapa, Vidalı



| D mm | L mm | T mm | D2 mm | W mm | Art.No.             | Amb. Ad. |
|------|------|------|-------|------|---------------------|----------|
| 5    | 50   | 30   | 5     | 11   | <b>5176 057 005</b> | 10       |
| 6    | 60   | 35   | 5     | 14   | <b>5176 057 006</b> | 10       |
| 8    | 80   | 50   | 6     | 18   | <b>5176 057 007</b> | 10       |
| 10   | 100  | 60   | 8     | 22   | <b>5176 057 010</b> | 10       |

A4/AISI 316

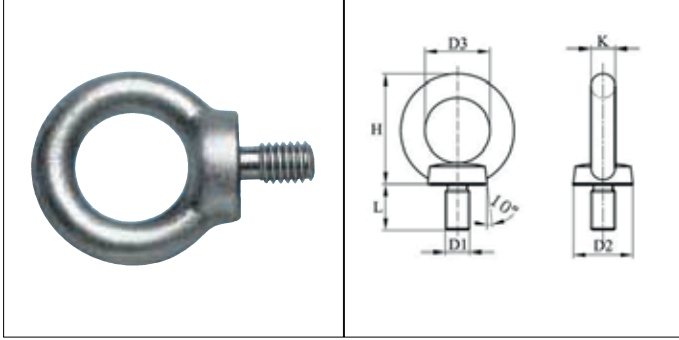
## Sabit Pim, Halkalı



| D mm | L1 mm | L2 mm | Art.No.             | Amb. Ad. |
|------|-------|-------|---------------------|----------|
| 8    | 25    | 17    | <b>5176 061 003</b> | 10       |

A4/AISI 316

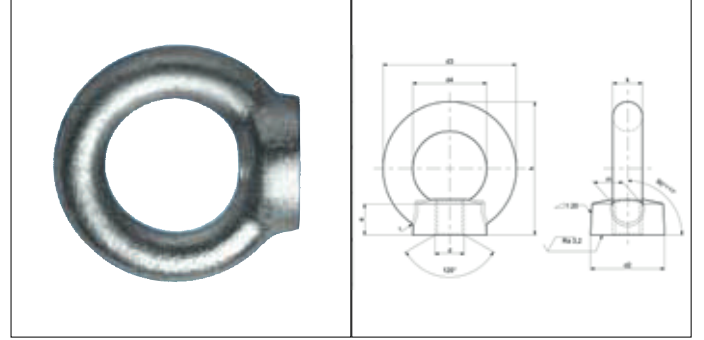
### Kuş Gözü Mapa, Erkek, DIN 580



| d1  | L mm | d2 mm | d3 mm | H mm  | K mm | BL/kN mm | Art.No.        | Amb. Ad. |
|-----|------|-------|-------|-------|------|----------|----------------|----------|
| M6  | 11,0 | 16    | 16    | 28    | 6    | 8,2      | <b>0280 6</b>  | 50       |
| M8  | 13,0 | 20    | 20    | 33    | 8    | 14,5     | <b>0280 8</b>  | 50       |
| M10 | 17,0 | 25    | 25    | 42    | 10   | 22,6     | <b>0280 10</b> | 50       |
| M12 | 20,5 | 30    | 30    | 51    | 12   | 32,6     | <b>0280 12</b> | 25       |
| M16 | 27,0 | 35    | 35    | 60    | 14   | 57,9     | <b>0280 16</b> | 10       |
| M20 | 30,0 | 40    | 40    | 68,8  | 16   | 90,4     | <b>0280 20</b> | 10       |
| M24 | 36,0 | 50    | 50    | 86,8  | 20   | 130,2    | <b>0280 24</b> | 10       |
| M30 | 45,0 | 65    | 60    | 104,8 | 24   | 203,5    | <b>0280 30</b> | 1        |

A4/AISI 316

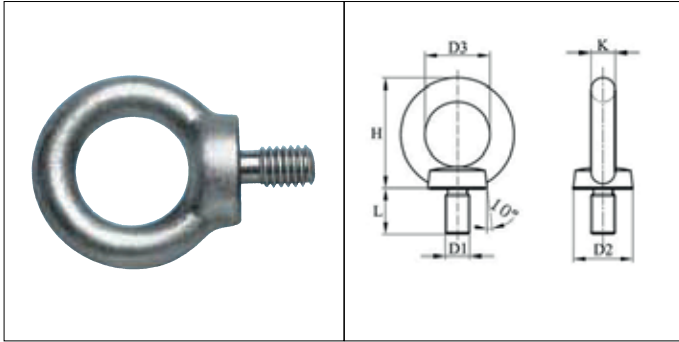
### Kuş Gözü Mapa, Dişi, DIN 582



| d   | d2 mm | d4 mm | d3 mm | K mm | BL/kN mm | Art.No.        | Amb. Ad. |
|-----|-------|-------|-------|------|----------|----------------|----------|
| M6  | 20    | 16    | 36    | 6    | 4,2      | <b>0389 6</b>  | 25/50    |
| M8  | 20    | 20    | 36    | 8    | 88,4     | <b>0389 8</b>  | 50       |
| M10 | 25    | 25    | 45    | 10   | 13,8     | <b>0389 10</b> | 50       |
| M12 | 30    | 30    | 54    | 12   | 19,8     | <b>0389 12</b> | 25       |
| M16 | 35    | 35    | 63    | 14   | 41,4     | <b>0389 16</b> | 10       |
| M20 | 40    | 40    | 72    | 16   | 70,8     | <b>0389 20</b> | 5        |
| M24 | 50    | 50    | 90    | 20   | 106,0    | <b>0389 24</b> | 5        |
| M30 | 65    | 60    | 108   | 24   | 188,0    | <b>0389 30</b> | 10       |

A4/AISI 316

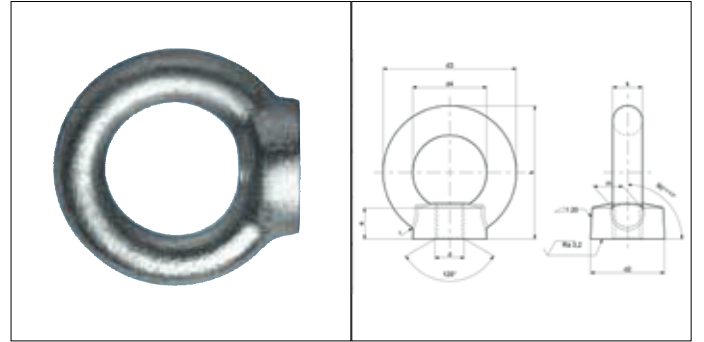
### Kuş Gözü Mapa, Erkek, DIN 580



| d1  | L mm | d2 mm | d3 mm | H mm  | K mm | BL/kN mm | Art.No.        | Amb. Ad. |
|-----|------|-------|-------|-------|------|----------|----------------|----------|
| M6  | 11,0 | 16    | 16    | 28    | 6    | 8,2      | <b>0279 6</b>  | 25       |
| M8  | 13,0 | 20    | 20    | 33    | 8    | 14,5     | <b>0279 8</b>  | 50       |
| M10 | 17,0 | 25    | 25    | 42    | 10   | 22,6     | <b>0279 10</b> | 25       |
| M12 | 20,5 | 30    | 30    | 51    | 12   | 32,6     | <b>0279 12</b> | 25       |
| M16 | 27,0 | 35    | 35    | 60    | 14   | 57,9     | <b>0279 16</b> | 5        |
| M20 | 30,0 | 40    | 40    | 68,8  | 16   | 90,4     | <b>0279 20</b> | 10       |
| M24 | 36,0 | 50    | 50    | 86,8  | 20   | 130,2    | <b>0279 24</b> | 10       |
| M30 | 45,0 | 65    | 60    | 104,8 | 24   | 203,5    | <b>0279 30</b> | 5        |

A2/AISI 304

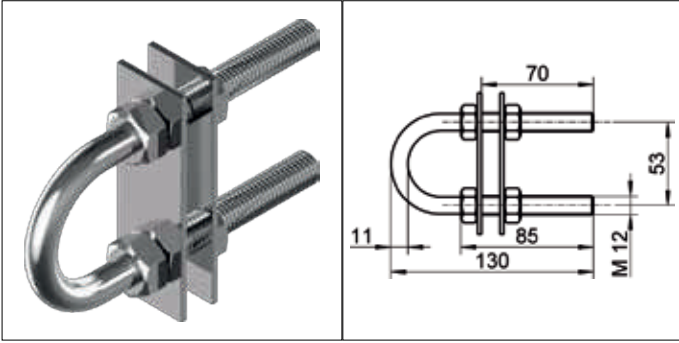
### Kuş Gözü Mapa, Dişi, DIN 582



| d   | d2 mm | d4 mm | d3 mm | K mm | BL/kN mm | Art.No.        | Amb. Ad. |
|-----|-------|-------|-------|------|----------|----------------|----------|
| M6  | 20    | 16    | 36    | 6    | 4,2      | <b>0388 6</b>  | 50       |
| M8  | 20    | 20    | 36    | 8    | 88,4     | <b>0388 8</b>  | 50       |
| M10 | 25    | 25    | 45    | 10   | 13,8     | <b>0388 10</b> | 50       |
| M12 | 30    | 30    | 54    | 12   | 19,8     | <b>0388 12</b> | 25       |
| M16 | 35    | 35    | 63    | 14   | 41,4     | <b>0388 16</b> | 5        |
| M20 | 40    | 40    | 72    | 16   | 70,8     | <b>0388 20</b> | 5        |
| M24 | 50    | 50    | 90    | 20   | 106,0    | <b>0388 24</b> | 5        |
| M30 | 65    | 60    | 108   | 24   | 188,0    | <b>0388 30</b> | 10       |

A2/AISI 304

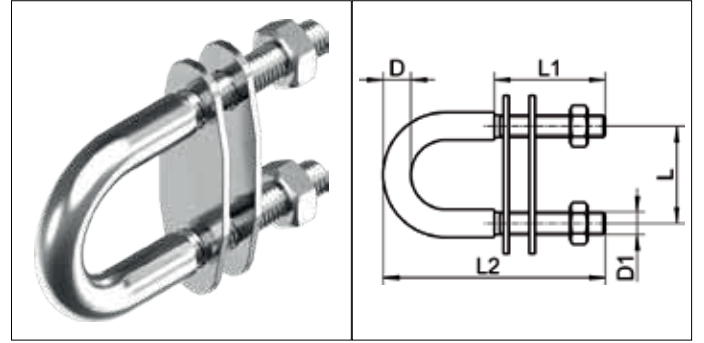
## U-Mapa



| D1 mm | L1 mm | L2 mm | L3 mm | L mm | Art.No.             | Amb. Ad. |
|-------|-------|-------|-------|------|---------------------|----------|
| M12   | 70    | 85    | 130   | 53   | <b>5176 053 295</b> | 5        |

A4/AISI 316

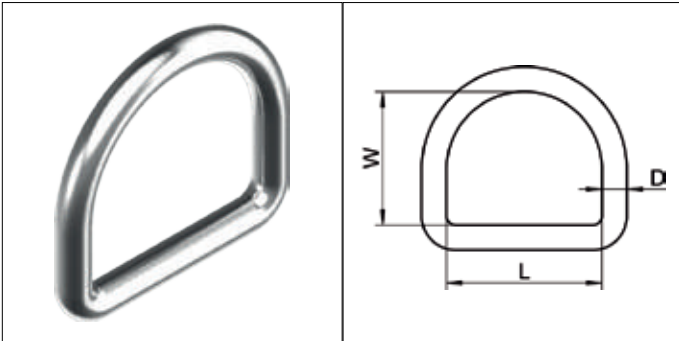
## U-Mapa



| D1 mm | L1 mm | L2 mm | D mm | L mm | Art.No.             | Amb. Ad. |
|-------|-------|-------|------|------|---------------------|----------|
| M4    | 30    | 62    | 5,0  | 30   | <b>5176 053 306</b> | 10       |
| M5    | 48    | 78    | 6,0  | 36   | <b>5176 053 307</b> | 10       |
| M6    | 42    | 80    | 8,0  | 36   | <b>5176 053 308</b> | 10       |
| M8    | 40    | 80    | 10,0 | 35   | <b>5176 053 309</b> | 10       |
| M8    | 52    | 100   | 10,0 | 45   | <b>5176 053 310</b> | 10       |
| M10   | 35    | 90    | 12,0 | 50   | <b>5176 053 311</b> | 5        |
| M10   | 55    | 110   | 12,0 | 50   | <b>5176 053 312</b> | 5        |
| M10   | 80    | 135   | 12,0 | 50   | <b>5176 053 313</b> | 5        |
| M12   | 65    | 130   | 14,0 | 60   | <b>5176 053 314</b> | 5        |
| M12   | 85    | 150   | 14,0 | 60   | <b>5176 053 315</b> | 5        |

A4/AISI 316

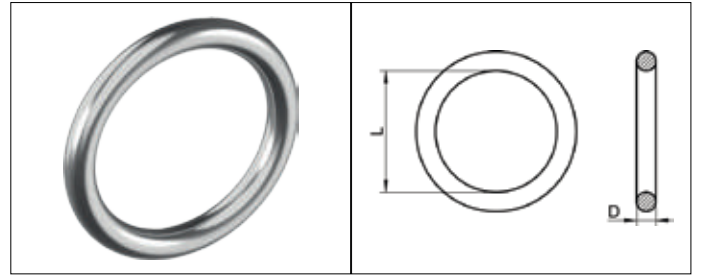
## D-Halka



| D mm | L mm | W mm | Art.No.             | Amb. Ad. |
|------|------|------|---------------------|----------|
| 3    | 15   | 12   | <b>5176 053 316</b> | 50       |
| 3    | 20   | 17   | <b>5176 053 317</b> | 50       |
| 4    | 20   | 17   | <b>5176 053 318</b> | 50       |
| 4    | 25   | 22   | <b>5176 053 319</b> | 50       |
| 4    | 30   | 27   | <b>5176 053 320</b> | 25       |
| 5    | 25   | 22   | <b>5176 053 321</b> | 20       |
| 5    | 30   | 27   | <b>5176 053 322</b> | 20       |
| 5    | 50   | 45   | <b>5176 053 323</b> | 20       |
| 6    | 30   | 27   | <b>5176 053 324</b> | 20       |
| 6    | 40   | 37   | <b>5176 053 325</b> | 20       |
| 6    | 50   | 47   | <b>5176 053 326</b> | 20       |
| 8    | 50   | 47   | <b>5176 053 327</b> | 10       |

A4/AISI 316

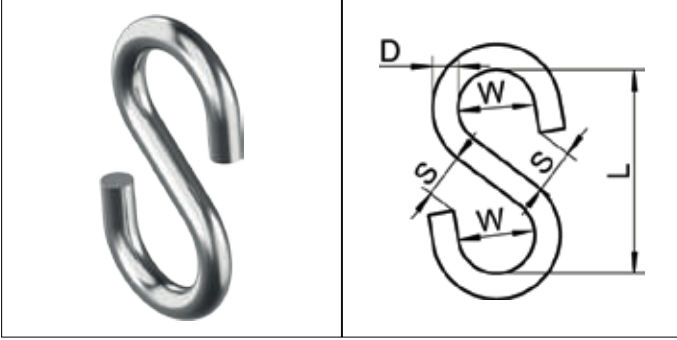
## O-Halka



| D mm | L mm | Art.No.             | Amb. Ad. |
|------|------|---------------------|----------|
| 3    | 20   | <b>5176 053 328</b> | 50       |
| 3    | 30   | <b>5176 053 329</b> | 50       |
| 4    | 25   | <b>5176 053 330</b> | 50       |
| 4    | 30   | <b>5176 053 331</b> | 50       |
| 4    | 35   | <b>5176 053 332</b> | 50       |
| 4    | 40   | <b>5176 053 333</b> | 50       |
| 5    | 30   | <b>5176 053 335</b> | 20       |
| 5    | 40   | <b>5176 053 334</b> | 20       |
| 6    | 35   | <b>5176 053 336</b> | 20       |
| 6    | 40   | <b>5176 053 337</b> | 20       |
| 6    | 45   | <b>5176 053 338</b> | 20       |
| 8    | 40   | <b>5176 053 339</b> | 10       |
| 8    | 50   | <b>5176 053 340</b> | 10       |
| 10   | 50   | <b>5176 053 341</b> | 10       |
| 10   | 60   | <b>5176 053 342</b> | 10       |
| 12   | 70   | <b>5176 053 343</b> | 10       |

A4/AISI 316

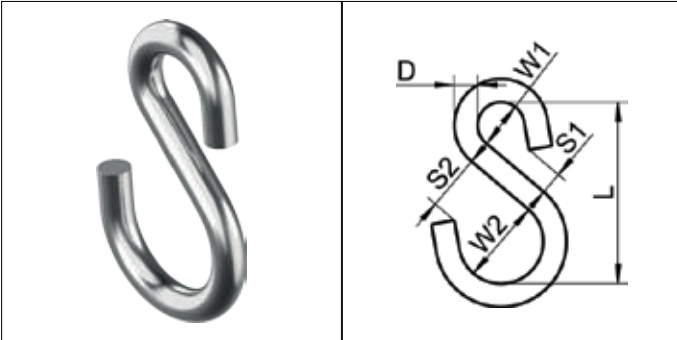
### S-Kanca, Simetrik



| D mm | L mm | W mm | S mm | Art.No.             | Amb. Ad. |
|------|------|------|------|---------------------|----------|
| 3    | 24   | 9    | 4    | <b>5176 053 296</b> | 100      |
| 4    | 32   | 12   | 6    | <b>5176 053 297</b> | 100      |
| 5    | 40   | 15   | 7    | <b>5176 053 299</b> | 20       |
| 6    | 48   | 17   | 8    | <b>5176 053 298</b> | 100      |
| 8    | 64   | 24   | 12   | <b>5176 053 300</b> | 10       |

A4/AISI 316

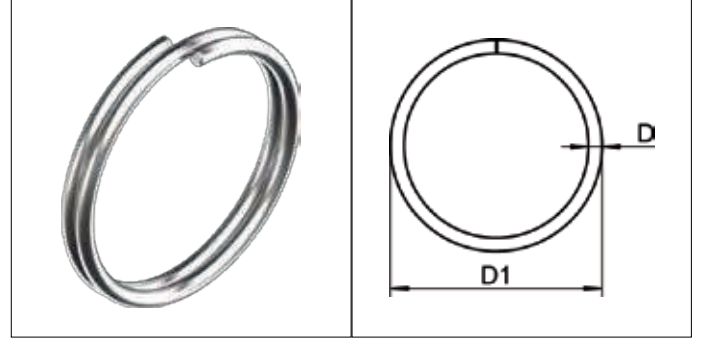
### S-Kanca, Asimetrik



| D mm | L mm | W1 mm | W2 mm | S1 mm | S2 mm | Art.No.             | Amb. Ad. |
|------|------|-------|-------|-------|-------|---------------------|----------|
| 3    | 30   | 9     | 16    | 5     | 10    | <b>5176 053 301</b> | 100      |
| 4    | 36   | 12    | 19    | 6     | 12    | <b>5176 053 302</b> | 100      |
| 5    | 43   | 14    | 21    | 6     | 12    | <b>5176 053 303</b> | 100      |
| 6    | 50   | 15    | 25    | 7     | 15    | <b>5176 053 304</b> | 50       |
| 8    | 67   | 20    | 33    | 9     | 20    | <b>5176 053 305</b> | 25       |

A4/AISI 316

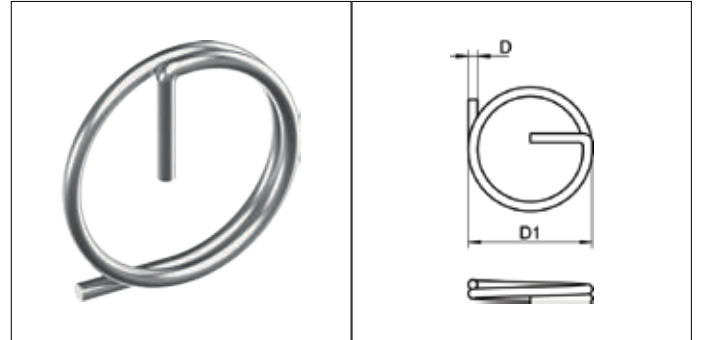
### Emniyet Halkası, Çift Dönüm



| D mm | D1 mm | Art.No.             | Amb. Ad. |
|------|-------|---------------------|----------|
| 1,5  | 18    | <b>5176 053 285</b> | 100      |
| 1,5  | 22    | <b>5176 053 286</b> | 100      |
| 1,5  | 26    | <b>5176 053 287</b> | 100      |
| 1,5  | 30    | <b>5176 053 288</b> | 100      |

A4/AISI 316

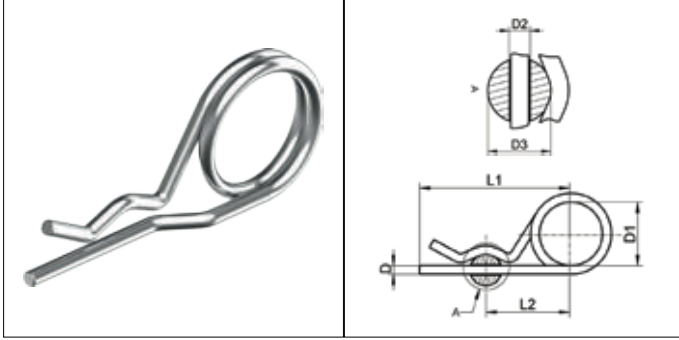
### Kamalı Halka



| D mm | D1 mm | Art.No.             | Amb. Ad. |
|------|-------|---------------------|----------|
| 1,00 | 11    | <b>5176 053 289</b> | 100      |
| 1,25 | 15    | <b>5176 053 290</b> | 100      |
| 1,50 | 19    | <b>5176 053 291</b> | 100      |
| 2,00 | 25    | <b>5176 053 292</b> | 100      |

A4/AISI 316

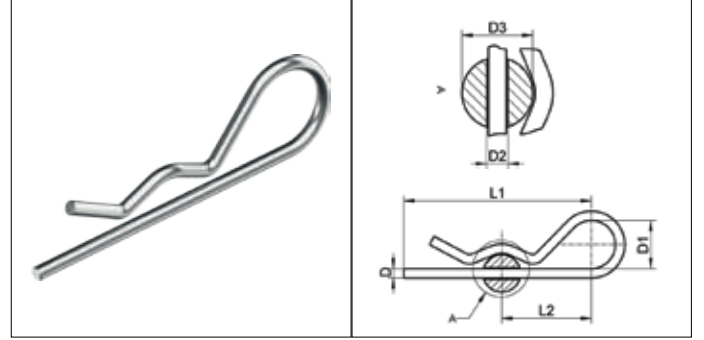
## Pin, Beta DIN11024



| D mm | D1 mm | D2 mm | D3 mm  | L1 mm | L2 mm | Art.No.         | Amb. Ad. |
|------|-------|-------|--------|-------|-------|-----------------|----------|
| 2,5  | 20    | 2,5   | 9-7    | 42    | 24    | <b>0472 325</b> | 25       |
| 2,8  | 20    | 3,2   | >11-14 | 48    | 26    | <b>0472 332</b> | 25       |
| 3,6  | 20    | 4,0   | >14-20 | 64    | 32    | <b>0472 34</b>  | 25       |
| 4,5  | 25    | 5,0   | >20-26 | 80    | 39    | <b>0472 35</b>  | 10       |
| 5,6  | 25    | 6,3   | >26-34 | 97    | 45    | <b>0472 363</b> | 10       |
| 6,3  | 30    | 7,0   | >34-45 | 125   | 56    | <b>0472 37</b>  | 10       |
| 7,0  | 30    | 8,0   | >45-56 | 150   | 63    | <b>0472 38</b>  | 10       |

A2/AISI 304

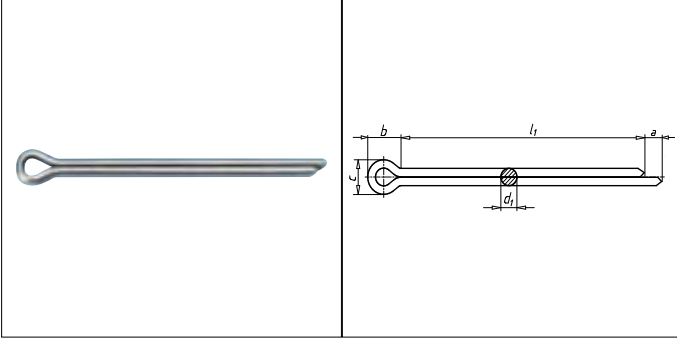
## Pin, Beta



| D mm | D1 mm | D2 mm | D3 mm  | L1 mm | L2 mm | Art.No.             | Amb. Ad. |
|------|-------|-------|--------|-------|-------|---------------------|----------|
| 2,0  | 10    | 2,5   | 8-7    | 40    | 25    | <b>0526 003 82</b>  | 100      |
| 2,5  | 11    | 3,0   | >10-16 | 46    | 24    | <b>0526 003 825</b> | 50       |
| 3,0  | 16    | 3,5   | >16-18 | 60    | 34    | <b>0526 003 83</b>  | 100      |
| 4,0  | 19    | 4,5   | >18-20 | 64    | 36    | <b>0526 003 84</b>  | 100      |
| 5,0  | 26    | 6,0   | >20-28 | 82    | 45    | <b>0526 003 85</b>  | 50       |
| 6,0  | 30    | 7,0   | >28-40 | 110   | 60    | <b>0526 003 86</b>  | 50       |

A2/AISI 304

## Kamalı Pin DIN 94, A4

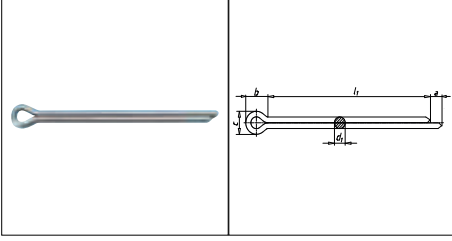


| D1 mm | L1 mm | b mm | C mm | Art.No.           | Amb. Ad. |
|-------|-------|------|------|-------------------|----------|
| 1     | 16    | 3    | 1,6  | <b>0483 10 16</b> | 500      |
| 1     | 6     | 3    | 1,6  | <b>0483 10 6</b>  | 500      |
| 1     | 25    | 3    | 1,6  | <b>0483 10 25</b> | 500      |
| 1     | 8     | 3    | 1,6  | <b>0483 10 8</b>  | 500      |
| 1,2   | 20    | 3,2  | 1,7  | <b>0483 12 2</b>  | 500      |
| 1,2   | 12    | 3,2  | 1,7  | <b>0483 12 12</b> | 500      |
| 1,6   | 32    | 3,2  | 2,4  | <b>0483 16 32</b> | 500      |
| 1,6   | 16    | 3,2  | 2,4  | <b>0483 16 16</b> | 500      |
| 1,6   | 6     | 3,2  | 2,4  | <b>0483 16 6</b>  | 500      |
| 1,6   | 20    | 3,2  | 2,4  | <b>0483 16 20</b> | 500      |
| 1,6   | 8     | 3,2  | 2,4  | <b>0483 16 8</b>  | 500      |
| 1,6   | 40    | 3,2  | 2,4  | <b>0483 16 40</b> | 500      |
| 1,6   | 10    | 3,2  | 2,4  | <b>0483 16 10</b> | 500      |
| 1,6   | 25    | 3,2  | 2,4  | <b>0483 16 25</b> | 500      |
| 1,6   | 12    | 3,2  | 2,4  | <b>0483 16 12</b> | 500      |
| 2     | 16    | 4    | 3,2  | <b>0483 20 16</b> | 500      |
| 2     | 22    | 4    | 3,2  | <b>0483 20 22</b> | 500      |
| 2     | 40    | 4    | 3,2  | <b>0483 20 40</b> | 500      |
| 2     | 32    | 4    | 3,2  | <b>0483 20 32</b> | 500      |
| 2     | 28    | 4    | 3,2  | <b>0483 20 28</b> | 500      |
| 2     | 25    | 4    | 3,2  | <b>0483 20 25</b> | 500      |
| 2     | 20    | 4    | 3,2  | <b>0483 20 20</b> | 500      |
| 2     | 12    | 4    | 3,2  | <b>0483 20 12</b> | 500      |
| 2     | 45    | 4    | 3,2  | <b>0483 20 45</b> | 500      |
| 2     | 36    | 4    | 3,2  | <b>0483 20 36</b> | 500      |
| 2,5   | 32    | 5    | 4    | <b>0483 25 32</b> | 500      |
| 2,5   | 16    | 5    | 4    | <b>0483 25 16</b> | 500      |
| 2,5   | 50    | 5    | 4    | <b>0483 25 50</b> | 500      |
| 2,5   | 12    | 5    | 4    | <b>0483 25 12</b> | 500      |
| 2,5   | 20    | 5    | 4    | <b>0483 25 20</b> | 500      |
| 2,5   | 25    | 5    | 4    | <b>0483 25 25</b> | 500      |
| 2,5   | 40    | 5    | 4    | <b>0483 25 40</b> | 500      |
| 2,5   | 36    | 5    | 4    | <b>0483 25 36</b> | 500      |
| 3,2   | 63    | 6,4  | 5,1  | <b>0483 32 63</b> | 500      |
| 3,2   | 40    | 6,4  | 5,1  | <b>0483 32 40</b> | 500      |
| 3,2   | 20    | 6,4  | 5,1  | <b>0483 32 20</b> | 500      |
| 3,2   | 18    | 6,4  | 5,1  | <b>0483 32 18</b> | 500      |
| 3,2   | 16    | 6,4  | 5,1  | <b>0483 32 16</b> | 500      |
| 3,2   | 32    | 6,4  | 5,1  | <b>0483 32 32</b> | 500      |
| 3,2   | 28    | 6,4  | 5,1  | <b>0483 32 28</b> | 500      |
| 3,2   | 22    | 6,4  | 5,1  | <b>0483 32 22</b> | 500      |

|     |     |      |      |                     |     |
|-----|-----|------|------|---------------------|-----|
| 3,2 | 36  | 6,4  | 5,1  | <b>0483 32 36</b>   | 500 |
| 3,2 | 50  | 6,4  | 5,1  | <b>0483 32 50</b>   | 500 |
| 3,2 | 45  | 6,4  | 5,1  | <b>0483 32 45</b>   | 500 |
| 3,2 | 25  | 6,4  | 5,1  | <b>0483 32 25</b>   | 500 |
| 4   | 71  | 8    | 6,5  | <b>0483 40 71</b>   | 200 |
| 4   | 22  | 8    | 6,5  | <b>0483 40 22</b>   | 200 |
| 4   | 20  | 8    | 6,5  | <b>0483 40 20</b>   | 200 |
| 4   | 90  | 8    | 6,5  | <b>0483 40 90</b>   | 200 |
| 4   | 63  | 8    | 6,5  | <b>0483 40 63</b>   | 200 |
| 4   | 25  | 8    | 6,5  | <b>0483 40 25</b>   | 200 |
| 4   | 28  | 8    | 6,5  | <b>0483 40 28</b>   | 200 |
| 4   | 36  | 8    | 6,5  | <b>0483 40 36</b>   | 200 |
| 4   | 45  | 8    | 6,5  | <b>0483 40 45</b>   | 200 |
| 4   | 50  | 8    | 6,5  | <b>0483 40 50</b>   | 200 |
| 4   | 56  | 8    | 6,5  | <b>0483 40 56</b>   | 200 |
| 5   | 36  | 10   | 8    | <b>0483 50 36</b>   | 200 |
| 5   | 28  | 10   | 8    | <b>0483 50 28</b>   | 200 |
| 5   | 25  | 10   | 8    | <b>0483 50 25</b>   | 200 |
| 5   | 40  | 10   | 8    | <b>0483 50 40</b>   | 200 |
| 5   | 45  | 10   | 8    | <b>0483 50 45</b>   | 200 |
| 5   | 63  | 10   | 8    | <b>0483 50 63</b>   | 200 |
| 5   | 56  | 10   | 8    | <b>0483 50 56</b>   | 200 |
| 5   | 71  | 10   | 8    | <b>0483 50 71</b>   | 200 |
| 5   | 80  | 10   | 8    | <b>0483 50 80</b>   | 200 |
| 5   | 20  | 10   | 8    | <b>0483 50 20</b>   | 200 |
| 5   | 32  | 10   | 8    | <b>0483 50 32</b>   | 200 |
| 6,3 | 40  | 12,6 | 10,3 | <b>0483 63 40</b>   | 100 |
| 6,3 | 32  | 12,6 | 10,3 | <b>0483 63 32</b>   | 100 |
| 6,3 | 50  | 12,6 | 10,3 | <b>0483 63 50</b>   | 100 |
| 6,3 | 36  | 12,6 | 10,3 | <b>0483 63 36</b>   | 100 |
| 6,3 | 63  | 12,6 | 10,3 | <b>0483 63 63</b>   | 100 |
| 6,3 | 80  | 12,6 | 10,3 | <b>0483 63 80</b>   | 100 |
| 6,3 | 100 | 12,6 | 10,3 | <b>0483 63 100</b>  | 100 |
| 6,3 | 90  | 12,6 | 10,3 | <b>0483 63 90</b>   | 100 |
| 6,3 | 56  | 12,6 | 10,3 | <b>0483 63 56</b>   | 100 |
| 6,3 | 45  | 12,6 | 10,3 | <b>0483 63 45</b>   | 100 |
| 8   | 90  | 16   | 13,1 | <b>0483 80 90</b>   | 100 |
| 8   | 80  | 16   | 13,1 | <b>0483 80 80</b>   | 100 |
| 8   | 50  | 16   | 13,1 | <b>0483 80 50</b>   | 100 |
| 8   | 71  | 16   | 13,1 | <b>0483 80 71</b>   | 100 |
| 8   | 125 | 16   | 13,1 | <b>0483 80 125</b>  | 100 |
| 8   | 32  | 16   | 13,1 | <b>0483 80 32</b>   | 100 |
| 8   | 56  | 16   | 13,1 | <b>0483 80 56</b>   | 100 |
| 8   | 63  | 16   | 13,1 | <b>0483 80 63</b>   | 100 |
| 8   | 40  | 16   | 13,1 | <b>0483 80 40</b>   | 100 |
| 10  | 100 | 20   | 16,6 | <b>0483 100 100</b> | 50  |
| 10  | 50  | 20   | 16,6 | <b>0483 100 50</b>  | 50  |
| 10  | 140 | 20   | 16,6 | <b>0483 100 140</b> | 50  |
| 10  | 71  | 20   | 16,6 | <b>0483 100 71</b>  | 50  |
| 10  | 125 | 20   | 16,6 | <b>0483 100 125</b> | 50  |
| 10  | 112 | 20   | 16,6 | <b>0483 100 112</b> | 50  |
| 13  | 90  | 26   | 21,7 | <b>0483 130 90</b>  | 25  |
| 13  | 160 | 26   | 21,7 | <b>0483 130 160</b> | 50  |

A4/AISI 316

## Kamalı Pin DIN 94, A2



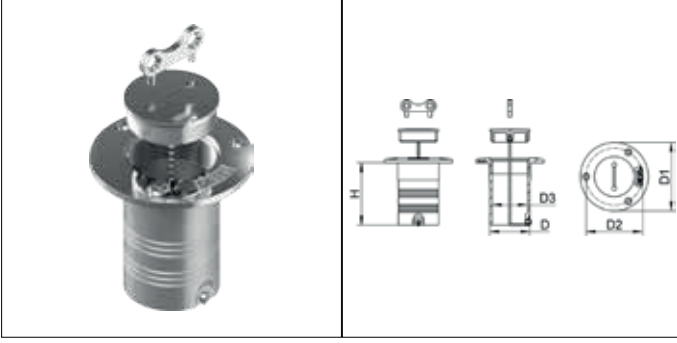
| D mm | L mm | W mm | S mm | Art.No.           | Amb. Ad. |
|------|------|------|------|-------------------|----------|
| 1    | 18   | 3    | 1,6  | <b>0474 1 18</b>  | 500      |
| 1    | 40   | 3    | 1,6  | <b>0474 1 40</b>  | 500      |
| 1    | 10   | 3    | 1,6  | <b>0474 1 10</b>  | 500      |
| 1    | 12   | 3    | 1,6  | <b>0474 1 12</b>  | 1000     |
| 1    | 16   | 3    | 1,6  | <b>0474 1 16</b>  | 500      |
| 1    | 8    | 3    | 1,6  | <b>0474 1 8</b>   | 500      |
| 1    | 20   | 3    | 1,6  | <b>0474 1 20</b>  | 500      |
| 1    | 25   | 3    | 1,6  | <b>0474 1 25</b>  | 500      |
| 1    | 28   | 3    | 1,6  | <b>0474 1 28</b>  | 500      |
| 1    | 32   | 3    | 1,6  | <b>0474 1 32</b>  | 500      |
| 1    | 36   | 3    | 1,6  | <b>0474 1 36</b>  | 500      |
| 1    | 6    | 3    | 1,6  | <b>0474 1 6</b>   | 500      |
| 1,2  | 16   | 3    | 1,7  | <b>0474 12 16</b> | 500      |
| 1,2  | 10   | 3    | 1,7  | <b>0474 12 10</b> | 500      |
| 1,2  | 8    | 3    | 1,7  | <b>0474 12 8</b>  | 500      |
| 1,2  | 32   | 3    | 1,7  | <b>0474 12 32</b> | 500      |
| 1,2  | 12   | 3    | 1,7  | <b>0474 12 12</b> | 500      |
| 1,2  | 20   | 3    | 1,7  | <b>0474 12 20</b> | 1000     |
| 1,2  | 25   | 3    | 1,7  | <b>0474 12 25</b> | 500      |
| 1,2  | 28   | 3    | 1,7  | <b>0474 12 28</b> | 500      |
| 1,2  | 36   | 3    | 1,7  | <b>0474 12 36</b> | 500      |
| 1,6  | 16   | 3,2  | 2,4  | <b>0474 16 16</b> | 500      |
| 1,6  | 22   | 3,2  | 2,4  | <b>0474 16 22</b> | 500      |
| 1,6  | 8    | 3,2  | 2,4  | <b>0474 16 8</b>  | 500      |
| 1,6  | 32   | 3,2  | 2,4  | <b>0474 16 32</b> | 100      |
| 1,6  | 25   | 3,2  | 2,4  | <b>0474 16 25</b> | 500      |
| 1,6  | 6    | 3,2  | 2,4  | <b>0474 16 6</b>  | 500      |
| 1,6  | 40   | 3,2  | 2,4  | <b>0474 16 40</b> | 500      |
| 1,6  | 36   | 3,2  | 2,4  | <b>0474 16 36</b> | 500      |
| 1,6  | 10   | 3,2  | 2,4  | <b>0474 16 10</b> | 2000     |
| 1,6  | 12   | 3,2  | 2,4  | <b>0474 16 12</b> | 500      |
| 1,6  | 20   | 3,2  | 2,4  | <b>0474 16 20</b> | 500      |
| 1,6  | 28   | 3,2  | 2,4  | <b>0474 16 28</b> | 500      |
| 2    | 20   | 4    | 3,2  | <b>0474 2 20</b>  | 100      |
| 2    | 12   | 4    | 3,2  | <b>0474 2 12</b>  | 1000     |
| 2    | 40   | 4    | 3,2  | <b>0474 2 40</b>  | 300      |
| 2    | 18   | 4    | 3,2  | <b>0474 2 18</b>  | 500      |
| 2    | 6    | 4    | 3,2  | <b>0474 2 6</b>   | 500      |
| 2    | 32   | 4    | 3,2  | <b>0474 2 32</b>  | 100      |
| 2    | 45   | 4    | 3,2  | <b>0474 2 45</b>  | 500      |
| 2    | 28   | 4    | 3,2  | <b>0474 2 28</b>  | 500      |
| 2    | 22   | 4    | 3,2  | <b>0474 2 22</b>  | 500      |
| 2    | 36   | 4    | 3,2  | <b>0474 2 36</b>  | 500      |
| 2    | 50   | 4    | 3,2  | <b>0474 2 50</b>  | 500      |

|     |     |      |      |                   |      |
|-----|-----|------|------|-------------------|------|
| 2   | 8   | 4    | 3,2  | <b>0474 2 8</b>   | 500  |
| 2,5 | 50  | 5    | 4    | <b>0474 25 50</b> | 500  |
| 2,5 | 20  | 5    | 4    | <b>0474 25 20</b> | 100  |
| 2,5 | 40  | 5    | 4    | <b>0474 25 40</b> | 500  |
| 2,5 | 12  | 5    | 4    | <b>0474 25 12</b> | 500  |
| 2,5 | 25  | 5    | 4    | <b>0474 25 25</b> | 50   |
| 2,5 | 22  | 5    | 4    | <b>0474 25 22</b> | 500  |
| 2,5 | 28  | 5    | 4    | <b>0474 25 28</b> | 500  |
| 2,5 | 32  | 5    | 4    | <b>0474 25 32</b> | 100  |
| 2,5 | 36  | 5    | 4    | <b>0474 25 36</b> | 500  |
| 2,5 | 45  | 5    | 4    | <b>0474 25 45</b> | 500  |
| 2,5 | 18  | 5    | 4    | <b>0474 25 18</b> | 500  |
| 3,2 | 10  | 6,4  | 5,1  | <b>0474 32 10</b> | 500  |
| 3,2 | 32  | 6,4  | 5,1  | <b>0474 32 32</b> | 50   |
| 3,2 | 80  | 6,4  | 5,1  | <b>0474 32 80</b> | 500  |
| 3,2 | 40  | 6,4  | 5,1  | <b>0474 32 40</b> | 50   |
| 3,2 | 36  | 6,4  | 5,1  | <b>0474 32 36</b> | 50   |
| 3,2 | 28  | 6,4  | 5,1  | <b>0474 32 28</b> | 500  |
| 3,2 | 18  | 6,4  | 5,1  | <b>0474 32 18</b> | 500  |
| 3,2 | 25  | 6,4  | 5,1  | <b>0474 32 25</b> | 50   |
| 3,2 | 63  | 6,4  | 5,1  | <b>0474 32 63</b> | 1000 |
| 3,2 | 71  | 6,4  | 5,1  | <b>0474 32 71</b> | 500  |
| 3,2 | 50  | 6,4  | 5,1  | <b>0474 32 50</b> | 500  |
| 3,2 | 45  | 6,4  | 5,1  | <b>0474 32 45</b> | 500  |
| 3,2 | 20  | 6,4  | 5,1  | <b>0474 32 20</b> | 500  |
| 3,2 | 16  | 6,4  | 5,1  | <b>0474 32 16</b> | 500  |
| 3,2 | 12  | 6,4  | 5,1  | <b>0474 32 12</b> | 500  |
| 4   | 40  | 8    | 6,5  | <b>0474 4 40</b>  | 50   |
| 4   | 22  | 8    | 6,5  | <b>0474 4 22</b>  | 200  |
| 4   | 20  | 8    | 6,5  | <b>0474 4 20</b>  | 1000 |
| 4   | 32  | 8    | 6,5  | <b>0474 4 32</b>  | 50   |
| 4   | 50  | 8    | 6,5  | <b>0474 4 50</b>  | 200  |
| 4   | 63  | 8    | 6,5  | <b>0474 4 63</b>  | 200  |
| 4   | 90  | 8    | 6,5  | <b>0474 4 90</b>  | 200  |
| 4   | 28  | 8    | 6,5  | <b>0474 4 28</b>  | 200  |
| 4   | 56  | 8    | 6,5  | <b>0474 4 56</b>  | 200  |
| 4   | 18  | 8    | 6,5  | <b>0474 4 18</b>  | 200  |
| 4   | 100 | 8    | 6,5  | <b>0474 4 100</b> | 200  |
| 4   | 25  | 8    | 6,5  | <b>0474 4 25</b>  | 500  |
| 4   | 80  | 8    | 6,5  | <b>0474 4 80</b>  | 200  |
| 5   | 28  | 10   | 8    | <b>0474 5 28</b>  | 200  |
| 5   | 50  | 10   | 8    | <b>0474 5 50</b>  | 50   |
| 5   | 71  | 10   | 8    | <b>0474 5 71</b>  | 200  |
| 5   | 32  | 10   | 8    | <b>0474 5 32</b>  | 200  |
| 5   | 80  | 10   | 8    | <b>0474 5 80</b>  | 50   |
| 5   | 63  | 10   | 8    | <b>0474 5 63</b>  | 200  |
| 5   | 20  | 10   | 8    | <b>0474 5 20</b>  | 200  |
| 5   | 90  | 10   | 8    | <b>0474 5 90</b>  | 200  |
| 5   | 45  | 10   | 8    | <b>0474 5 45</b>  | 200  |
| 5   | 25  | 10   | 8    | <b>0474 5 25</b>  | 200  |
| 5   | 16  | 10   | 8    | <b>0474 5 16</b>  | 200  |
| 5   | 100 | 10   | 8    | <b>0474 5 100</b> | 200  |
| 6,3 | 45  | 12,6 | 10,3 | <b>0474 63 45</b> | 100  |
| 6,3 | 80  | 12,6 | 10,3 | <b>0474 63 80</b> | 100  |

|     |     |      |      |                    |     |
|-----|-----|------|------|--------------------|-----|
| 6,3 | 56  | 12,6 | 10,3 | <b>0474 63 56</b>  | 100 |
| 6,3 | 36  | 12,6 | 10,3 | <b>0474 63 36</b>  | 100 |
| 6,3 | 125 | 12,6 | 10,3 | <b>0474 63 125</b> | 100 |
| 6,3 | 25  | 12,6 | 10,3 | <b>0474 63 25</b>  | 100 |
| 6,3 | 32  | 12,6 | 10,3 | <b>0474 63 32</b>  | 100 |
| 6,3 | 100 | 12,6 | 10,3 | <b>0474 63 100</b> | 100 |
| 6,3 | 40  | 12,6 | 10,3 | <b>0474 63 40</b>  | 100 |
| 6,3 | 71  | 12,6 | 10,3 | <b>0474 63 71</b>  | 100 |
| 6,3 | 63  | 12,6 | 10,3 | <b>0474 63 63</b>  | 100 |
| 8   | 32  | 16   | 13,1 | <b>0474 8 32</b>   | 100 |
| 8   | 100 | 16   | 13,1 | <b>0474 8 100</b>  | 100 |
| 8   | 90  | 16   | 13,1 | <b>0474 8 90</b>   | 100 |
| 8   | 80  | 16   | 13,1 | <b>0474 8 80</b>   | 100 |
| 8   | 71  | 16   | 13,1 | <b>0474 8 71</b>   | 100 |
| 8   | 50  | 16   | 13,1 | <b>0474 8 50</b>   | 100 |
| 8   | 140 | 16   | 13,1 | <b>0474 8 140</b>  | 100 |
| 8   | 40  | 16   | 13,1 | <b>0474 8 40</b>   | 100 |
| 8   | 45  | 16   | 13,1 | <b>0474 8 45</b>   | 100 |
| 10  | 112 | 20   | 16,6 | <b>0474 10 112</b> | 50  |
| 10  | 63  | 20   | 16,6 | <b>0474 10 63</b>  | 50  |
| 10  | 140 | 20   | 16,6 | <b>0474 10 140</b> | 50  |
| 10  | 45  | 20   | 16,6 | <b>0474 10 45</b>  | 50  |
| 10  | 125 | 20   | 16,6 | <b>0474 10 125</b> | 50  |
| 10  | 56  | 20   | 16,6 | <b>0474 10 56</b>  | 50  |
| 10  | 71  | 20   | 16,6 | <b>0474 10 71</b>  | 50  |
| 10  | 90  | 20   | 16,6 | <b>0474 10 90</b>  | 50  |
| 13  | 90  | 26   | 21,7 | <b>0474 13 90</b>  | 25  |

A2/AISI 304

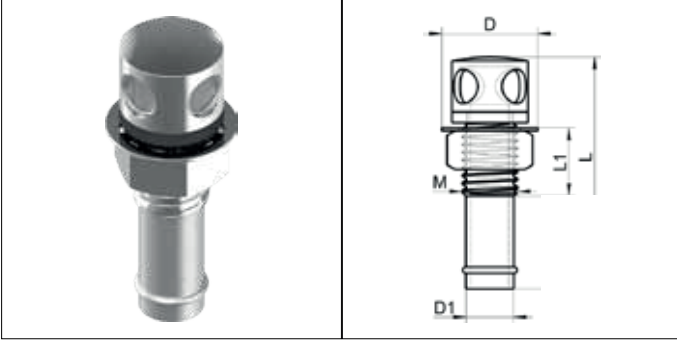
## Dolum Kapakları, Su-Yakıt-Atık



| Type  | D mm | H mm | D1 mm | D2 mm | D3 mm | Art.No.              | Amb. Ad. |
|-------|------|------|-------|-------|-------|----------------------|----------|
| Su    | 38   | 78   | 75    | 60    | 34    | <b>5176 053 038</b>  | 1        |
| Yakıt | 38   | 78   | 75    | 60    | 34    | <b>5176 053 037</b>  | 1        |
| Atık  | 38   | 78   | 75    | 60    | 34    | <b>5176 053 036*</b> | 1        |
| Su    | 51   | 79   | 87    | 72    | 45    | <b>5176 053 040</b>  | 1        |
| Yakıt | 51   | 79   | 87    | 72    | 45    | <b>5176 053 039</b>  | 1        |

A4/AISI 316

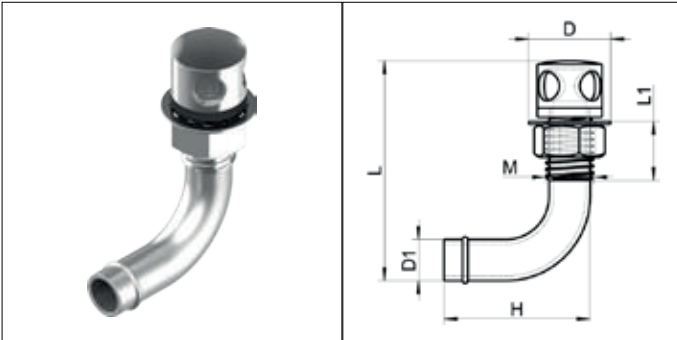
## Hava Firarı, Düz



| D mm | L mm | D2 mm | Art.No.             | Amb. Ad. |
|------|------|-------|---------------------|----------|
| M19  | 75   | 16    | <b>5176 053 376</b> | 2        |

A4/AISI 316

## Hava Firarı, 90°



| D mm | L mm | D1 mm | Art.No.             | Amb. Ad. |
|------|------|-------|---------------------|----------|
| M19  | 88   | 16    | <b>5176 053 378</b> | 2        |

A4/AISI 316

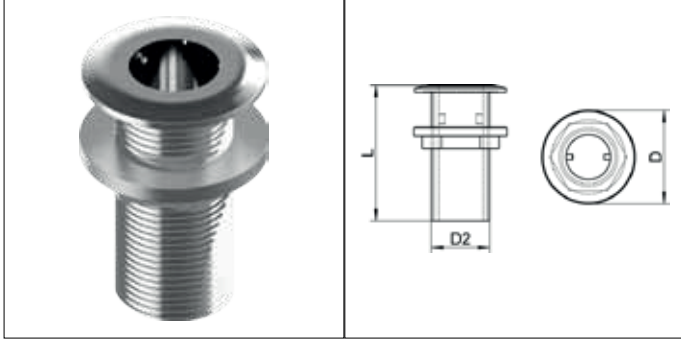
## Hortum Kelepçeleri



| B mm | D mm    | SWL kN | Art.No.             | Amb. Ad. |
|------|---------|--------|---------------------|----------|
| 9    | 8-16    | 2      | <b>0538 008 16</b>  | 25       |
| 9    | 24-40   | 3      | <b>0538 025 40</b>  | 25       |
| 9    | 32-50   | 3      | <b>0538 032 50</b>  | 25       |
| 9    | 20-32   | 3      | <b>0538 020 32</b>  | 25       |
| 9    | 16-27   | 3      | <b>0538 016 27</b>  | 25       |
| 9    | 12-22   | 3      | <b>0538 012 22</b>  | 25       |
| 12   | 110-130 | 5      | <b>0538 110 130</b> | 10       |
| 12   | 130-150 | 5      | <b>0538 130 150</b> | 10       |
| 12   | 150-170 |        | <b>0538 150 170</b> | 10       |
| 12   | 170-190 |        | <b>0538 170 190</b> | 10       |

A4/AISI 316

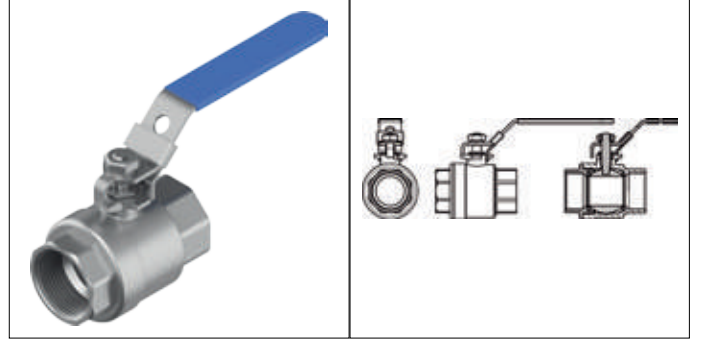
## Firar/Bağlantı Kovanı



| D2 mm  | L mm | D mm | Art.No.             | Amb. Ad. |
|--------|------|------|---------------------|----------|
| 1/2"   | 65   | 40   | <b>5176 053 379</b> | 1        |
| 3/4"   | 71   | 48   | <b>5176 053 380</b> | 1        |
| 1"     | 78   | 54   | <b>5176 053 381</b> | 1        |
| 1 1/4" | 84   | 70   | <b>5176 053 382</b> | 1        |
| 1 1/2" | 88   | 75   | <b>5176 053 383</b> | 1        |

A4/AISI 316

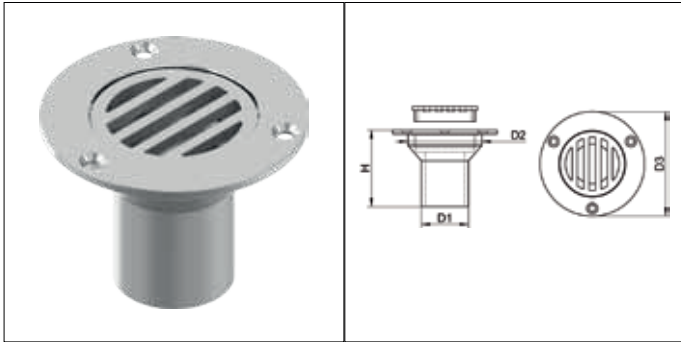
## Vana



| D2 mm  | Working pressure PSI | Art.No.             | Amb. Ad. |
|--------|----------------------|---------------------|----------|
| 3/8"   | 1.000                | <b>5176 053 425</b> | 1        |
| 1/2"   | 1.000                | <b>5176 053 426</b> | 1        |
| 3/4"   | 1.000                | <b>5176 053 427</b> | 1        |
| 1"     | 1.000                | <b>5176 053 428</b> | 1        |
| 1 1/4" | 1.000                | <b>5176 053 429</b> | 1        |
| 1 1/2" | 1.000                | <b>5176 053 430</b> | 1        |

A4/AISI 316

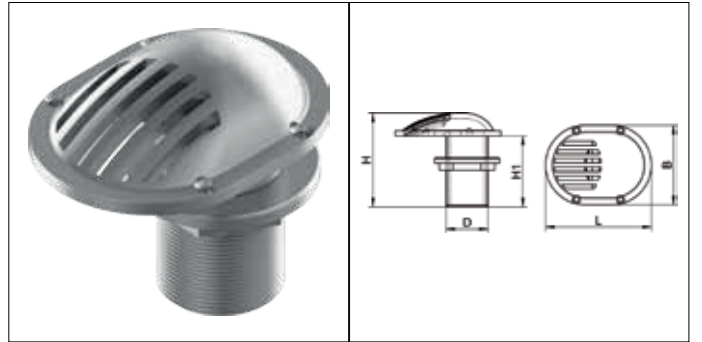
## Yer Süzgeci



| D1 mm | D2 mm | D3 mm | H mm | Art.No.             | Amb. Ad. |
|-------|-------|-------|------|---------------------|----------|
| 37    | 58    | 82    | 60   | <b>5176 053 384</b> | 25       |

A4/AISI 316

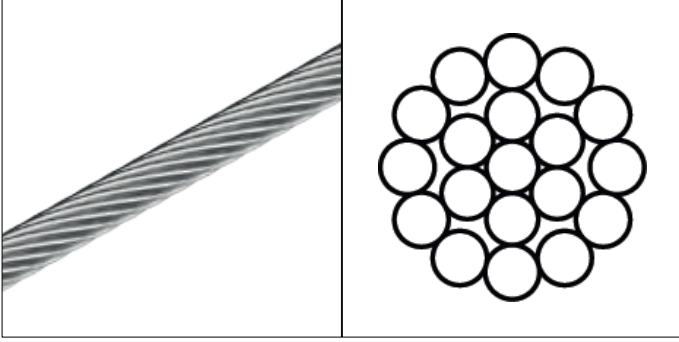
## Süzgeçli Firar/Bağlantı Kovanı



| D2 mm  | L mm | D mm | Art.No.             | Amb. Ad. |
|--------|------|------|---------------------|----------|
| 1/2"   | 72   | 90   | <b>5176 053 385</b> | 1        |
| 3/4"   | 80   | 104  | <b>5176 053 386</b> | 1        |
| 1"     | 77   | 107  | <b>5176 053 387</b> | 1        |
| 1 1/4" | 79   | 118  | <b>5176 053 388</b> | 1        |
| 1 1/2" | 80   | 132  | <b>5176 053 389</b> | 1        |

A4/AISI 316

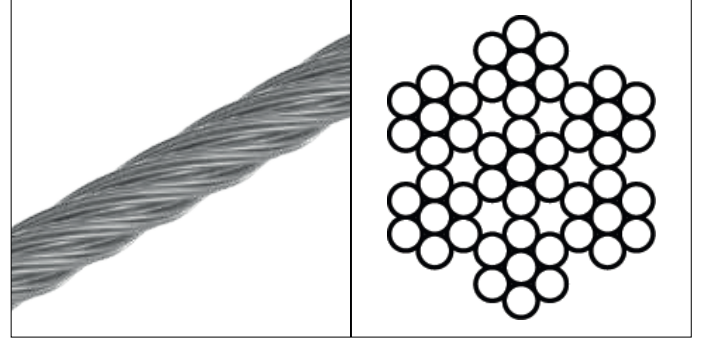
## Çelik Halat, 1X19, DIN 3053



| D<br>Ø mm | Max.<br>BL kN | Min.<br>BL kN | kg/m   | Art.No.             | Uzunluk<br>m    |
|-----------|---------------|---------------|--------|---------------------|-----------------|
| 1,0       | 0,94          | 0,83          | 0,0025 | <b>5176 003 001</b> | 250, 500, 1.000 |
| 1,5       | 2,11          | 1,86          | 0,012  | <b>5176 003 015</b> | 250, 500, 1.000 |
| 2,0       | 3,75          | 3,30          | 0,020  | <b>5176 003 002</b> | 250, 500        |
| 2,5       | 5,86          | 5,15          | 0,031  | <b>5176 003 025</b> | 250, 500        |
| 3,0       | 8,43          | 7,42          | 0,045  | <b>5176 003 003</b> | 250, 500, 1000  |
| 4,0       | 15,00         | 13,20         | 0,080  | <b>5176 003 004</b> | 250, 500        |
| 5,0       | 23,40         | 20,60         | 0,124  | <b>5176 003 005</b> | 250, 500        |
| 6,0       | 33,70         | 29,70         | 0,178  | <b>5176 003 006</b> | 100, 250        |
| 8,0       | 60,00         | 52,80         | 0,317  | <b>5176 003 008</b> | 100             |
| 10,0      | 93,70         | 82,50         | 0,495  | <b>5176 003 010</b> | 100, 250, 500   |
| 12,0      | 135,00        | 119,00        | 0,713  | <b>5176 003 012</b> | 100             |

A4/AISI 316

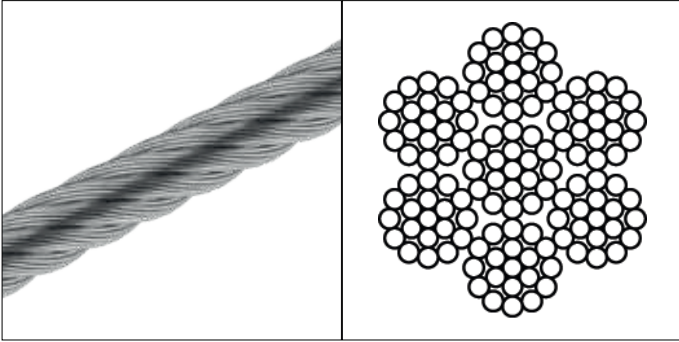
## Çelik Halat, 7X7, DIN 3055



| D<br>Ø mm | Max.<br>BL kN | Min.<br>BL kN | G<br>kg/m | Art.No.             | Uzunluk<br>m    |
|-----------|---------------|---------------|-----------|---------------------|-----------------|
| 1,0       | 0,71          | 0,63          | 0,004     | <b>5176 006 001</b> | 250             |
| 1,5       | 1,62          | 1,42          | 0,009     | <b>5176 006 015</b> | 250, 500, 1.000 |
| 2,0       | 2,69          | 2,25          | 0,016     | <b>5176 006 002</b> | 250, 500, 1.000 |
| 2,5       | 4,50          | 3,95          | 0,025     | <b>5176 006 025</b> | 250, 500, 1.000 |
| 3,0       | 6,05          | 5,07          | 0,035     | <b>5176 006 003</b> | 250, 500, 1.000 |
| 4,0       | 10,80         | 9,01          | 0,063     | <b>5176 006 004</b> | 250, 500, 1.000 |
| 5,0       | 16,80         | 14,10         | 0,098     | <b>5176 006 005</b> | 250, 500, 1.000 |
| 6,0       | 24,20         | 20,30         | 0,142     | <b>5176 006 006</b> | 100, 250, 500   |
| 8,0       | 43,00         | 36,10         | 0,252     | <b>5176 006 008</b> | 100, 250, 500   |

A4/AISI 316

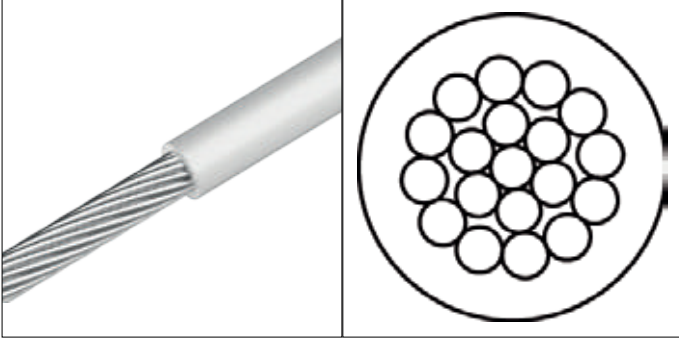
## Çelik Halat, 7X19, DIN 3060



| D<br>Ø mm | Max.<br>BL kN | Min.<br>BL kN | kg/m  | Art.No.             | Uzunluk<br>m         |
|-----------|---------------|---------------|-------|---------------------|----------------------|
| 1,5       | 1,46          | 1,17          | 0,008 | <b>5176 004 015</b> | 250, 500, 1.000      |
| 2,0       | 2,65          | 2,33          | 0,015 | <b>5176 004 020</b> | 250, 500, 1.000      |
| 2,5       | 4,17          | 3,66          | 0,023 | <b>5176 004 025</b> | 250, 500, 1.000      |
| 3,0       | 5,86          | 4,69          | 0,035 | <b>5176 004 003</b> | 250, 500, 1.000      |
| 4,0       | 10,40         | 8,34          | 0,061 | <b>5176 004 004</b> | 250, 500, 1.000      |
| 5,0       | 16,30         | 13,00         | 0,096 | <b>5176 004 005</b> | 250, 500, 1.000      |
| 6,0       | 23,40         | 18,80         | 0,138 | <b>5176 004 006</b> | 100, 250, 500, 1.000 |
| 8,0       | 41,70         | 33,30         | 0,234 | <b>5176 004 008</b> | 100, 250, 500        |
| 10,0      | 65,10         | 52,10         | 0,381 | <b>5176 004 010</b> | 100, 250, 500, 1.000 |
| 12,0      | 93,70         | 75,00         | 0,548 | <b>5176 004 012</b> | 100, 250, 500        |

A4/AISI 316

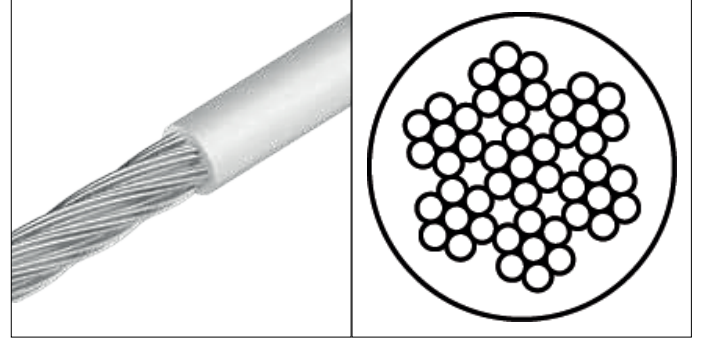
### Çelik Halat, 1X19, PVC Beyaz



| D2 mm | Outside Ø mm | Art.No.             | Uzunluk m |
|-------|--------------|---------------------|-----------|
| 2,5   | 3,5          | <b>5176 005 035</b> | 250       |
| 3,0   | 5,0          | <b>5176 005 005</b> | 250       |
| 4,0   | 6,0          | <b>5176 005 006</b> | 100, 250  |
| 5,0   | 8,0          | <b>5176 005 008</b> | 100, 250  |

A4/AISI 316

### Çelik Halat, 7x7, PVC Beyaz

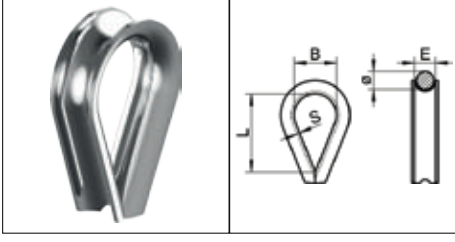


| D2 mm | Outside Ø mm | Art.No.             | Uzunluk m       |
|-------|--------------|---------------------|-----------------|
| 3     | 5            | <b>5176 007 005</b> | 250, 500, 1.000 |
| 4     | 6            | <b>5176 007 006</b> | 100, 250, 500   |
| 5     | 7            | <b>5176 007 007</b> | 100, 250, 500   |

A4/AISI 316



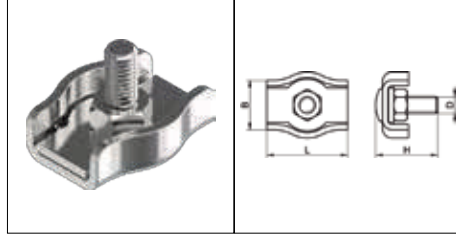
## Radansa



| Ø mm | B mm | L mm | E mm | S mm | Art.No.      | Amb. Ad. |
|------|------|------|------|------|--------------|----------|
| 2,0  | 7,0  | 10   | 2,0  | 1    | 5176 015 002 | 50       |
| 2,5  | 8,0  | 14   | 2,5  | 1    | 5176 015 025 | 50       |
| 3    | 10,0 | 17   | 3,0  | 1    | 5176 015 003 | 50       |
| 4    | 11,0 | 18   | 4,0  | 1    | 5176 015 004 | 50       |
| 5    | 13,0 | 20   | 5,6  | 1,2  | 5176 015 005 | 50       |
| 6    | 15,0 | 25   | 6,5  | 1,2  | 5176 015 006 | 20       |
| 8    | 18,0 | 33   | 9    | 1,5  | 5176 015 008 | 10       |
| 10   | 23,0 | 41   | 11   | 2    | 5176 015 010 | 10       |
| 12   | 27,0 | 48   | 14   | 2    | 5176 015 012 | 10       |
| 14   | 34,0 | 53   | 15   | 2,5  | 5176 015 014 | 5        |
| 16   | 36,0 | 57   | 17   | 3    | 5176 015 016 | 5        |
| 18   | 40,0 | 67   | 19   | 3    | 5176 015 018 | 5        |
| 20   | 45,0 | 75   | 22   | 4    | 5176 015 020 | 5        |

A4/AISI 316

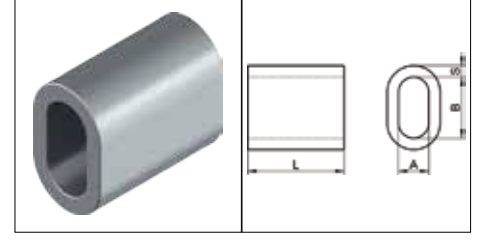
## Halat Klemensi, Tekli



| Ø mm | B mm | D mm | H mm | L mm | Art.No.      | Amb. Ad. |
|------|------|------|------|------|--------------|----------|
| 2    | 12   | M4   | 14   | 15   | 5176 032 002 | 40       |
| 3    | 14   | M4   | 13   | 18   | 5176 032 003 | 40       |
| 4    | 18   | M5   | 18   | 20   | 5176 032 004 | 20       |
| 5    | 20   | M5   | 17   | 25   | 5176 032 005 | 10       |
| 6    | 24   | M6   | 23   | 30   | 5176 032 006 | 10       |
| 8    | 30   | M8   | 30   | 36   | 5176 032 008 | 10       |

A4/AISI 316

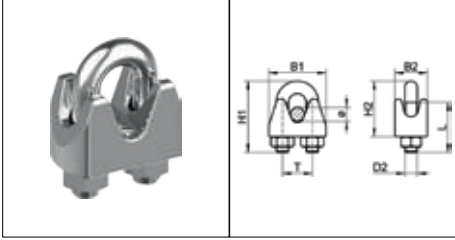
## Halat Yüzükleri



| S mm | A mm | L mm | B mm | Art.No.      | Amb. Ad. |
|------|------|------|------|--------------|----------|
| 2    | 2,3  | 9,3  | 4,8  | 0880 998 002 | 50       |
| 3    | 3,3  | 11,0 | 6,6  | 0880 998 003 | 50       |
| 4    | 4,4  | 14,0 | 8,8  | 0880 998 004 | 50       |
| 5    | 5,5  | 18,0 | 11   | 0880 998 005 | 50       |
| 6    | 6,6  | 21,0 | 13,2 | 0880 998 006 | 25       |
| 8    | 8,8  | 28,0 | 17,6 | 0880 998 008 | 20       |

Nikel Kaplama

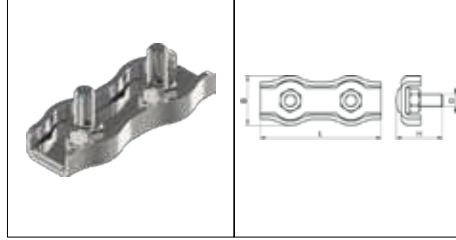
## Klemens



| Ø mm | D2 mm | B1 mm | L mm | Art.No.      | Amb. Ad. |
|------|-------|-------|------|--------------|----------|
| 2    | M3    | 16    | 11   | 5176 016 002 | 50       |
| 3    | M3    | 21    | 11   | 5176 016 003 | 50       |
| 4    | M4    | 22    | 12   | 5176 016 004 | 50       |
| 5    | M5    | 23    | 15   | 5176 016 005 | 50       |
| 6    | M6    | 26    | 18   | 5176 016 006 | 20       |
| 8    | M6    | 30    | 18   | 5176 016 008 | 10       |
| 10   | M8    | 34    | 22   | 5176 016 010 | 10       |
| 12   | M10   | 40    | 30   | 5176 016 012 | 10       |

A4/AISI 316

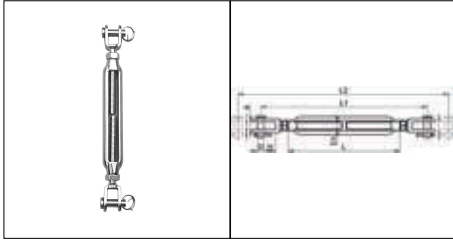
## Halat Klemensi, Çiftli



| Ø mm | B mm | D mm | H mm | L mm | Art.No.      | Amb. Ad. |
|------|------|------|------|------|--------------|----------|
| 2    | 12   | M4   | 14   | 30   | 5176 033 002 | 40       |
| 3    | 14   | M4   | 14   | 36   | 5176 033 003 | 40       |
| 4    | 18   | M5   | 17   | 40   | 5176 033 004 | 20       |
| 5    | 20   | M5   | 17   | 50   | 5176 033 005 | 10       |
| 6    | 24   | M6   | 23   | 60   | 5176 033 006 | 10       |
| 8    | 30   | M8   | 27   | 72   | 5176 033 008 | 5        |

A4/AISI 316

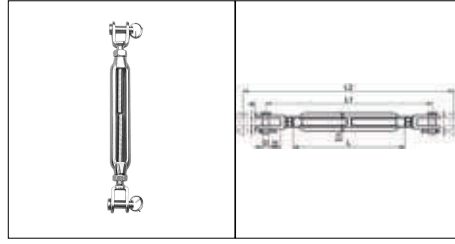
### Liftin, Açık Gövde



| D1 mm | L2 mm | L1 mm | A mm | D mm | Art.No.             | Amb. Ad. |
|-------|-------|-------|------|------|---------------------|----------|
| M5    | 120   | 70    | 6,5  | 5    | <b>5176 001 005</b> | 10       |
| M6    | 140   | 90    | 7,5  | 6    | <b>5176 001 006</b> | 10       |
| M8    | 180   | 120   | 11,0 | 8    | <b>5176 001 008</b> | 10       |
| M10   | 220   | 150   | 12,0 | 9    | <b>5176 001 010</b> | 5        |
| M12   | 300   | 200   | 14,0 | 12   | <b>5176 001 012</b> | 5        |
| M14   | 325   | 220   | 15,0 | 12   | <b>5176 001 014</b> | 1        |
| M16   | 375   | 250   | 17,0 | 16   | <b>5176 001 016</b> | 1        |
| M20   | 450   | 300   | 20,0 | 19   | <b>5176 001 020</b> | 1        |

A4/AISI 316

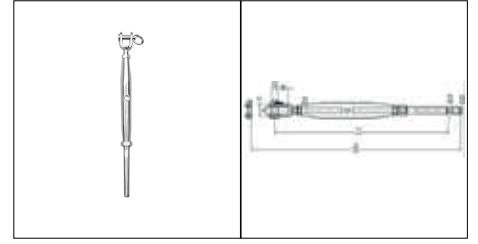
### Liftin



| D1 mm | Art.No.             | Amb. Ad. |
|-------|---------------------|----------|
| M16   | <b>5176 001 017</b> | 1        |
| M20   | <b>5176 001 021</b> | 1        |

A4/AISI 316

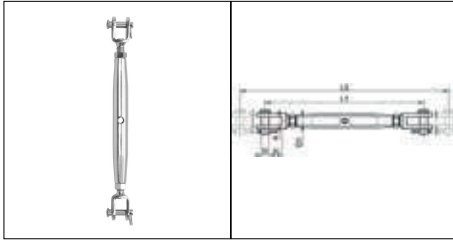
### Liftin, Terminal Uçlu



| D1 mm | Ø mm | L1 mm | A mm | D mm | H mm | Art.No.             | Amb. Ad. |
|-------|------|-------|------|------|------|---------------------|----------|
| M5    | 2,5  | 155   | 6,5  | 5,0  | 10   | <b>5176 018 025</b> | 10       |
| M6    | 3,0  | 175   | 7,5  | 6,0  | 10   | <b>5176 018 003</b> | 10       |
| M8    | 4,0  | 200   | 11,0 | 8,0  | 11   | <b>5176 018 004</b> | 10       |
| M10   | 5,0  | 230   | 12,0 | 9,0  | 14   | <b>5176 018 005</b> | 5        |
| M12   | 6,0  | 285   | 14,0 | 12,0 | 20   | <b>5176 018 006</b> | 5        |
| M14   | 7,0  | 315   | 15,0 | 12,0 | 22   | <b>5176 018 007</b> | 1        |
| M16   | 8,0  | 360   | 17,0 | 16,0 | 26   | <b>5176 018 008</b> | 1        |
| M20   | 10,0 | 410   | 20,0 | 19,0 | 30   | <b>5176 018 010</b> | 1        |
| M20   | 12,0 | 430   | 23,0 | 19,0 | 35   | <b>5176 018 012</b> | 1        |

A4/AISI 316

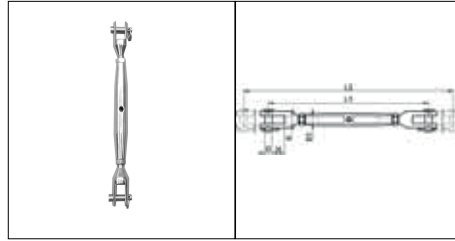
### Liftin, Kapalı Gövde



| D1 mm | L2 mm | A mm | D mm | H mm | Art.No.             | Amb. Ad. |
|-------|-------|------|------|------|---------------------|----------|
| M5    | 130   | 6,5  | 5    | 10   | <b>5176 010 005</b> | 10       |
| M6    | 150   | 7,5  | 6    | 10   | <b>5176 010 006</b> | 10       |
| M8    | 165   | 11,0 | 8    | 11   | <b>5176 010 008</b> | 10       |
| M10   | 190   | 12,0 | 9    | 14   | <b>5176 010 010</b> | 5        |
| M12   | 245   | 14,0 | 12   | 20   | <b>5176 010 012</b> | 5        |
| M14   | 270   | 15,0 | 12   | 22   | <b>5176 010 014</b> | 1        |
| M16   | 310   | 17,0 | 16   | 26   | <b>5176 010 016</b> | 1        |
| M20   | 360   | 20,0 | 19   | 30   | <b>5176 010 020</b> | 1        |

A4/AISI 316

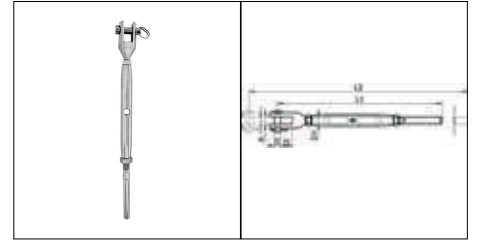
### Liftin



| D1 mm | L2 mm | A mm | D mm | H mm | Art.No.             | Amb. Ad. |
|-------|-------|------|------|------|---------------------|----------|
| M5    | 135   | 6,5  | 5    | 10   | <b>5176 011 005</b> | 10       |
| M6    | 160   | 7,5  | 6    | 10   | <b>5176 011 006</b> | 10       |
| M8    | 180   | 11,0 | 8    | 11   | <b>5176 011 008</b> | 10       |
| M10   | 210   | 12,0 | 9    | 14   | <b>5176 011 010</b> | 5        |
| M12   | 270   | 14,0 | 12   | 20   | <b>5176 011 012</b> | 5        |
| M14   | 295   | 15,0 | 12   | 22   | <b>5176 011 014</b> | 1        |
| M16   | 340   | 17,0 | 16   | 26   | <b>5176 011 016</b> | 1        |

A4/AISI 316

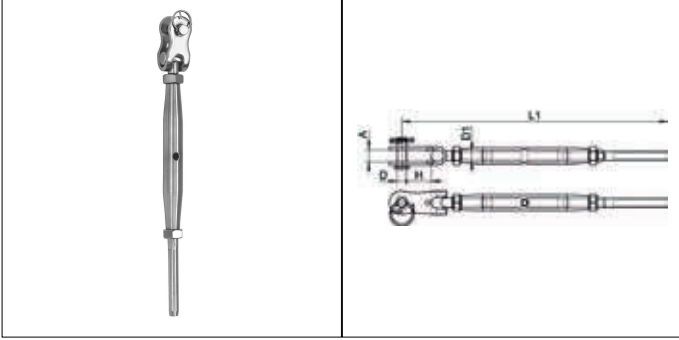
### Liftin, Terminal Uçlu



| D1 mm | Ø mm | L2 mm | A mm | D mm | H mm | Art.No.             | Amb. Ad. |
|-------|------|-------|------|------|------|---------------------|----------|
| M6    | 3,0  | 180   | 7,5  | 6    | 10   | <b>5176 019 003</b> | 10       |
| M8    | 4,0  | 210   | 11,0 | 8    | 11   | <b>5176 019 004</b> | 10       |
| M10   | 5,0  | 240   | 12,0 | 9    | 14   | <b>5176 019 005</b> | 5        |
| M12   | 6,0  | 300   | 14,0 | 12   | 20   | <b>5176 019 006</b> | 5        |
| M16   | 8,0  | 370   | 17,0 | 16   | 26   | <b>5176 019 008</b> | 1        |

A4/AISI 316

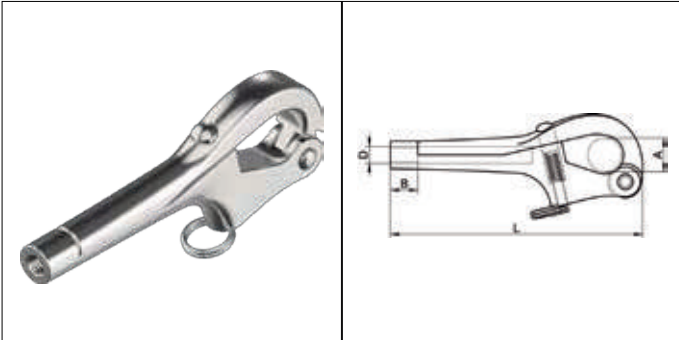
## Liftin, Terminal Uçlu



| D1 mm | Ø mm | L1 mm | A mm | D mm | H mm | Art.No.             | Amb. Ad. |
|-------|------|-------|------|------|------|---------------------|----------|
| M6    | 3    | 180   | 7    | 6    | 15   | <b>5176 050 003</b> | 5        |
| M8    | 4    | 210   | 10   | 8    | 20   | <b>5176 050 004</b> | 5        |
| M10   | 5    | 250   | 12   | 9    | 25   | <b>5176 050 005</b> | 5        |
| M12   | 6    | 300   | 13   | 12   | 30   | <b>5176 050 006</b> | 5        |
| M16   | 8    | 390   | 17   | 16   | 40   | <b>5176 050 008</b> | 1        |
| M20   | 10   | 450   | 20   | 19   | 45   | <b>5176 050 010</b> | 1        |

A4/AISI 316

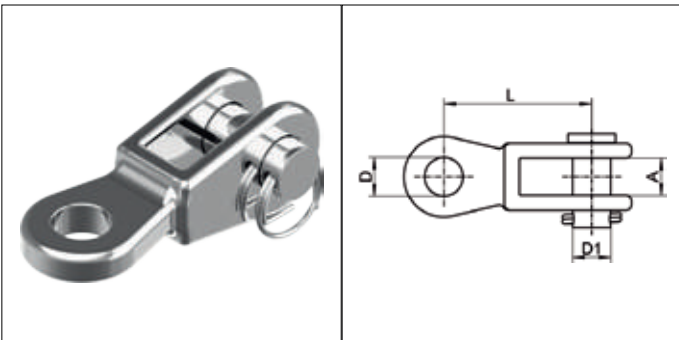
## Pelikan Kanca



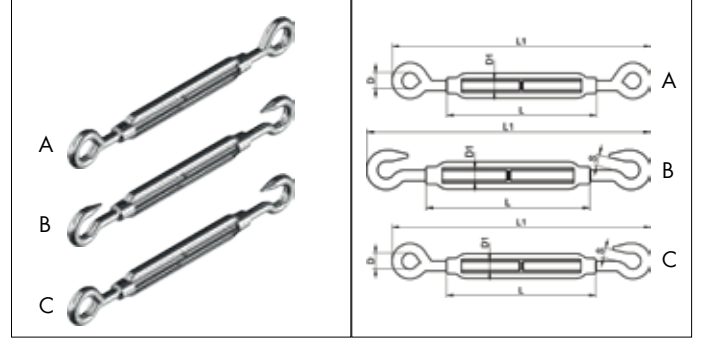
| L mm | A mm | D mm    | Art.No.             | Amb. Ad. |
|------|------|---------|---------------------|----------|
| 76   | 13   | M6 x 9  | <b>5176 053 293</b> | 5        |
| 100  | 16   | M8 x 12 | <b>5176 053 294</b> | 5        |

A4/AISI 316

## Norsmen, Erkek



## Gerdirmeler



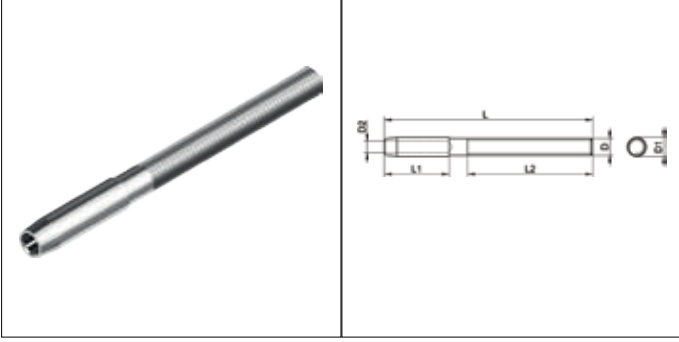
| Type | D1 mm | L mm | L1 mm | D mm | S mm | Art.No.             | Amb. Ad. |
|------|-------|------|-------|------|------|---------------------|----------|
| A    | M5    | 70   | 120   | 8    | 8    | <b>5176 012 005</b> | 10       |
| A    | M6    | 90   | 150   | 10   | 9    | <b>5176 012 006</b> | 10       |
| A    | M8    | 120  | 200   | 14   | 11   | <b>5176 012 008</b> | 10       |
| A    | M10   | 150  | 240   | 16   | 12   | <b>5176 012 010</b> | 5        |
| A    | M12   | 200  | 310   | 18   | 14   | <b>5176 012 012</b> | 5        |
| A    | M16   | 250  | 390   | 26   | 16   | <b>5176 012 016</b> | 1        |
| A    | M20   | 300  | 440   | 30   | 18   | <b>5176 012 020</b> | 1        |
| B    | M5    | 70   | 120   | 8    | 8    | <b>5176 013 005</b> | 10       |
| B    | M6    | 90   | 150   | 10   | 9    | <b>5176 013 006</b> | 10       |
| B    | M8    | 120  | 200   | 14   | 11   | <b>5176 013 008</b> | 10       |
| B    | M10   | 150  | 240   | 16   | 12   | <b>5176 013 010</b> | 5        |
| B    | M12   | 200  | 310   | 18   | 14   | <b>5176 013 012</b> | 5        |
| B    | M16   | 250  | 390   | 26   | 16   | <b>5176 013 016</b> | 1        |
| B    | M20   | 300  | 440   | 30   | 18   | <b>5176 013 020</b> | 1        |
| C    | M5    | 70   | 120   | 8    | 8    | <b>5176 014 005</b> | 10       |
| C    | M6    | 90   | 150   | 10   | 9    | <b>5176 014 006</b> | 10       |
| C    | M8    | 120  | 200   | 14   | 11   | <b>5176 014 008</b> | 10       |
| C    | M10   | 150  | 240   | 16   | 12   | <b>5176 014 010</b> | 5        |
| C    | M12   | 200  | 310   | 18   | 14   | <b>5176 014 012</b> | 5        |
| C    | M16   | 250  | 390   | 26   | 16   | <b>5176 014 016</b> | 1        |
| C    | M20   | 300  | 440   | 30   | 18   | <b>5176 014 020</b> | 1        |

A4/AISI 316

| Type | D mm | D1 mm | A mm | L mm | Art.No.             | Amb. Ad. |
|------|------|-------|------|------|---------------------|----------|
| 5    | 5,5  | 5,0   | 5,5  | 22   | <b>5176 025 005</b> | 4        |
| 6    | 6,5  | 6,0   | 6,0  | 27   | <b>5176 025 006</b> | 4        |
| 8    | 8,5  | 8,5   | 9,0  | 31   | <b>5176 025 008</b> | 4        |
| 10   | 10,0 | 9,5   | 12,0 | 36   | <b>5176 025 010</b> | 4        |
| 12   | 13,0 | 13,0  | 12,5 | 50   | <b>5176 025 012</b> | 4        |
| 14   | 15,0 | 14,5  | 13,0 | 60   | <b>5176 025 014</b> | 1        |
| 16   | 16,5 | 16,0  | 15,0 | 80   | <b>5176 025 016</b> | 1        |

A4/AISI 316

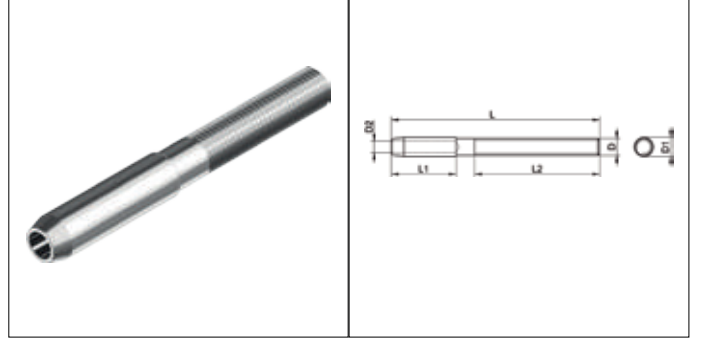
### Sıvımalı Saplama, Sağ Uzun Dişli, Mini



| Ø mm | D mm | D1 mm | D2 mm | L mm | L1 mm | L2 mm | Art.No.             | Amb. Ad. |
|------|------|-------|-------|------|-------|-------|---------------------|----------|
| 4    | M6   | 7,5   | 4,3   | 90   | 25    | 60    | <b>5176 041 004</b> | 10       |
| 5    | M8   | 9,0   | 5,3   | 100  | 31    | 60    | <b>5176 041 005</b> | 10       |
| 6    | M10  | 12,5  | 6,3   | 125  | 37    | 80    | <b>5176 041 006</b> | 5        |

A4/AISI 316

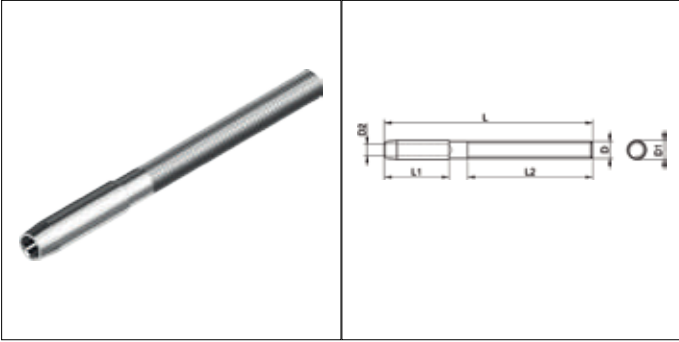
### Sıvımalı Saplama, Sağ Uzun Dişli, Mini



| Ø mm | D mm | D1 mm | D2 mm | L mm | L1 mm | L2 mm | Art.No.             | Amb. Ad. |
|------|------|-------|-------|------|-------|-------|---------------------|----------|
| 4    | M6   | 7,5   | 4,3   | 60   | 25    | 30    | <b>5176 039 004</b> | 10       |
| 5    | M8   | 9,0   | 5,3   | 70   | 31    | 31    | <b>5176 039 005</b> | 10       |
| 6    | M10  | 12,5  | 6,3   | 85   | 37    | 40    | <b>5176 039 006</b> | 5        |

A4/AISI 316

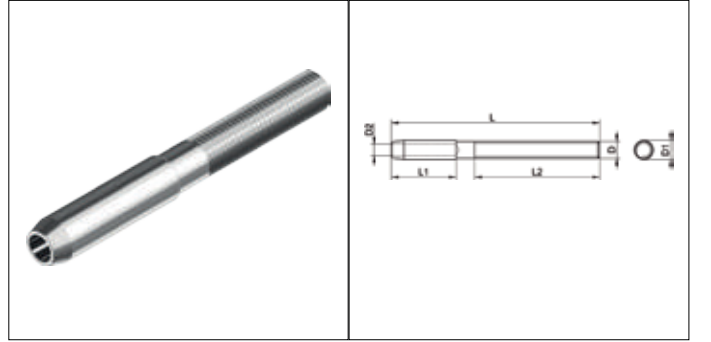
### Sıvımalı Saplama, Sol Uzun Dişli, Mini



| Ø mm | D mm | D1 mm | D2 mm | L mm | L1 mm | L2 mm | Art.No.             | Amb. Ad. |
|------|------|-------|-------|------|-------|-------|---------------------|----------|
| 4    | M6   | 7,5   | 4,3   | 90   | 25    | 60    | <b>5176 042 004</b> | 10       |
| 5    | M8   | 9,0   | 5,3   | 100  | 31    | 60    | <b>5176 042 005</b> | 10       |
| 6    | M10  | 12,5  | 6,3   | 125  | 37    | 80    | <b>5176 042 006</b> | 5        |

A4/AISI 316

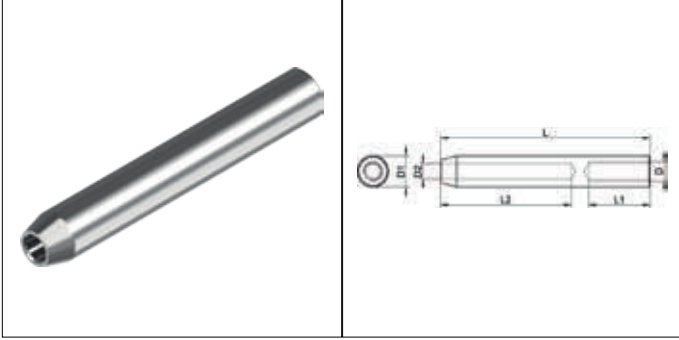
### Sıvımalı Saplama, Sol Uzun Dişli, Mini



| Ø mm | D mm | D1 mm | D2 mm | L mm | L1 mm | L2 mm | Art.No.             | Amb. Ad. |
|------|------|-------|-------|------|-------|-------|---------------------|----------|
| 4    | M6   | 7,5   | 4,3   | 60   | 25    | 30    | <b>5176 040 004</b> | 10       |
| 5    | M8   | 9,0   | 5,3   | 70   | 31    | 31    | <b>5176 040 005</b> | 10       |
| 6    | M10  | 12,5  | 6,3   | 85   | 37    | 40    | <b>5176 040 006</b> | 5        |

A4/AISI 316

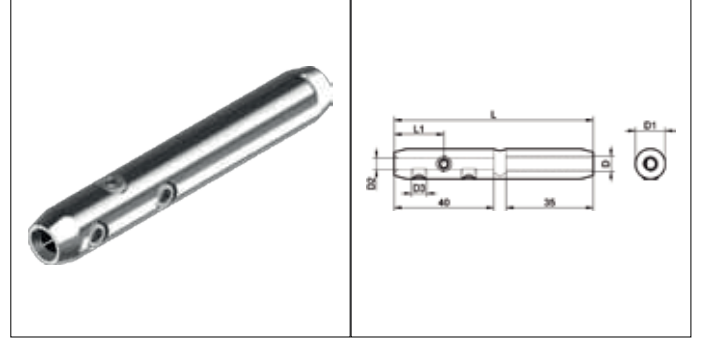
### Sıvımalı Saplama, Kapalı, Sağdan Dişli, Mini



| Ø mm | D mm | D1 mm | D2 mm | L mm | L1 mm | L2 mm | Art.No.             | Amb. Ad. |
|------|------|-------|-------|------|-------|-------|---------------------|----------|
| 4    | M6   | 7,5   | 4,3   | 65   | 22    | 36    | <b>5176 043 004</b> | 10       |
| 5    | M8   | 9,0   | 5,3   | 70   | 22    | 41    | <b>5176 043 005</b> | 10       |
| 6    | M10  | 12,5  | 6,3   | 85   | 25    | 53    | <b>5176 043 006</b> | 5        |

A4/AISI 316

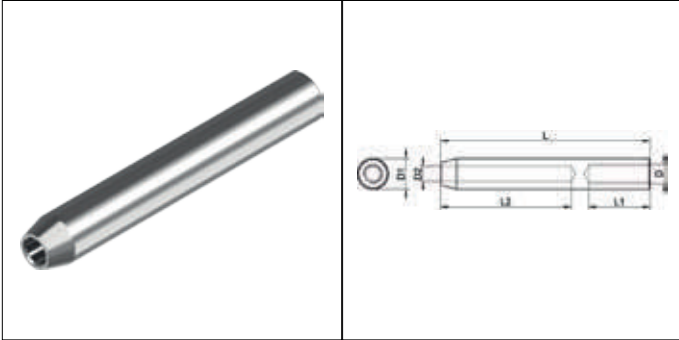
### Sıvımalı Saplama, Kapalı, Vida Kontrollü



| Ø mm  | D mm | D1 mm | D2 mm | L mm | Art.No.             | Amb. Ad. |
|-------|------|-------|-------|------|---------------------|----------|
| 3+4 L | M6   | 12    | 4,4   | 80   | <b>5176 045 031</b> | 5        |
| 3+4 R | M6   | 12    | 4,4   | 80   | <b>5176 046 032</b> | 10       |

A4/AISI 316

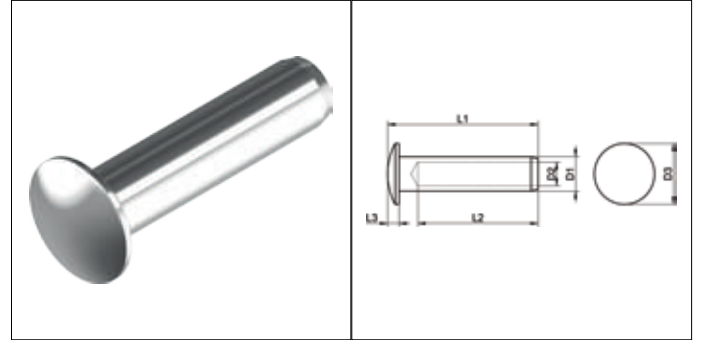
### Sıvımalı Saplama, Kapalı, Mini



| Ø mm | D mm | D1 mm | D2 mm | L mm | L1 mm | L2 mm | Art.No.             | Amb. Ad. |
|------|------|-------|-------|------|-------|-------|---------------------|----------|
| 4    | M6   | 7,5   | 4,3   | 65   | 22    | 36    | <b>5176 044 004</b> | 10       |
| 5    | M8   | 9,0   | 5,3   | 70   | 22    | 41    | <b>5176 044 005</b> | 10       |
| 6    | M10  | 12,5  | 6,3   | 85   | 25    | 53    | <b>5176 044 006</b> | 5        |

A4/AISI 316

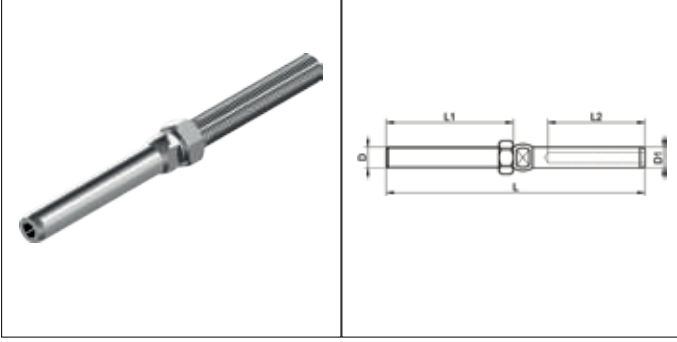
### Mercimek Başlı Terminal



| Ø mm | D1 mm | D2 mm | D3 mm | L1 mm | L2 mm | L3 mm | Art.No.             | Amb. Ad. |
|------|-------|-------|-------|-------|-------|-------|---------------------|----------|
| 3    | 5,5   | 3,3   | 9     | 25    | 18    | 2     | <b>5176 051 003</b> | 10       |
| 4    | 6,5   | 4,3   | 11    | 30    | 24    | 2     | <b>5176 051 004</b> | 10       |
| 5    | 7,5   | 5,3   | 13    | 35    | 28    | 2,5   | <b>5176 051 005</b> | 10       |
| 6    | 9,0   | 6,3   | 16    | 40    | 32    | 3     | <b>5176 051 006</b> | 10       |

A4/AISI 316

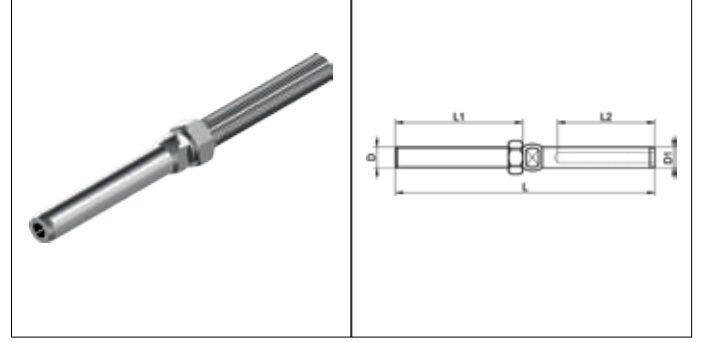
## Sıvımalı Saplama, Sağdan Dişli



| Ø mm | D mm | L mm | L1 mm | L2 mm | D1 mm | Art.No.             | Amb. Ad. |
|------|------|------|-------|-------|-------|---------------------|----------|
| 2,0  | M4   | 73   | 38    | 24    | 4,8   | <b>5176 027 002</b> | 10       |
| 2,5  | M5   | 86   | 40    | 32    | 5,5   | <b>5176 027 025</b> | 10       |
| 3,0  | M6   | 100  | 48    | 39    | 6,5   | <b>5176 027 003</b> | 10       |
| 4,0  | M8   | 117  | 57    | 45    | 7,5   | <b>5176 027 004</b> | 10       |
| 5,0  | M10  | 130  | 63    | 52    | 9,0   | <b>5176 027 005</b> | 5        |
| 6,0  | M12  | 162  | 80    | 64    | 12,5  | <b>5176 027 006</b> | 5        |
| 8,0  | M16  | 200  | 100   | 80    | 16,0  | <b>5176 027 008</b> | 5        |
| 10,0 | M20  | 230  | 119   | 90    | 18,0  | <b>5176 027 010</b> | 5        |
| 12,0 | M20  | 245  | 120   | 105   | 20,0  | <b>5176 027 012</b> | 5        |

A4/AISI 316

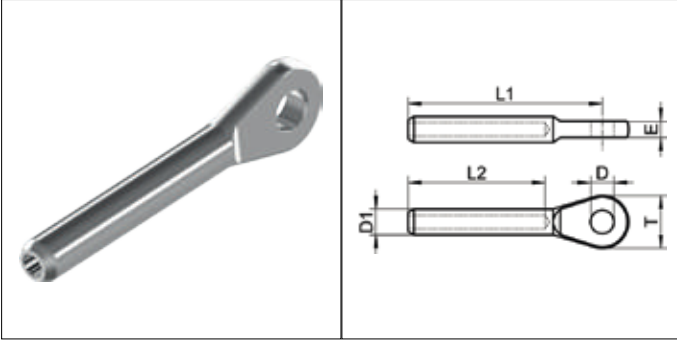
## Sıvımalı Saplama, Soldan Dişli



| Ø mm | D mm | L mm | L1 mm | L2 mm | D1 mm | Art.No.             | Amb. Ad. |
|------|------|------|-------|-------|-------|---------------------|----------|
| 2,0  | M4   | 73   | 38    | 24    | 4,8   | <b>5176 052 002</b> | 10       |
| 2,5  | M5   | 86   | 40    | 32    | 5,5   | <b>5176 052 025</b> | 10       |
| 3,0  | M6   | 100  | 48    | 39    | 6,5   | <b>5176 052 003</b> | 10       |
| 4,0  | M8   | 117  | 57    | 45    | 7,5   | <b>5176 052 004</b> | 10       |
| 5,0  | M10  | 130  | 63    | 52    | 9,0   | <b>5176 052 005</b> | 5        |
| 6,0  | M12  | 162  | 80    | 64    | 12,5  | <b>5176 052 006</b> | 5        |
| 8,0  | M16  | 200  | 100   | 80    | 16,0  | <b>5176 052 008</b> | 5        |
| 10,0 | M20  | 230  | 119   | 90    | 18,0  | <b>5176 052 010</b> | 5        |
| 12,0 | M20  | 245  | 120   | 105   | 20,0  | <b>5176 052 012</b> | 5        |

A4/AISI 316

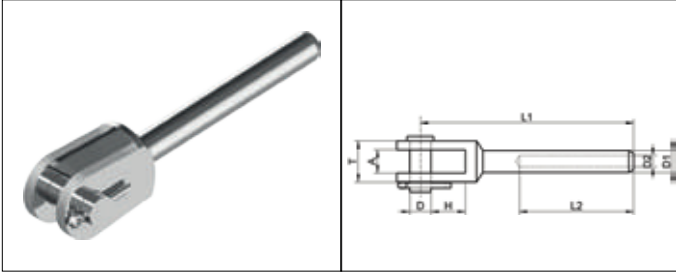
## Terminal Uç, Erkek



| Ø mm | L1 mm | L2 mm | E mm | D mm | D1 mm | T mm | Art.No.             | Amb. Ad. |
|------|-------|-------|------|------|-------|------|---------------------|----------|
| 2,5  | 50    | 30    | 3    | 5,4  | 5,5   | 13   | <b>5176 024 025</b> | 10       |
| 3,0  | 55    | 36    | 4    | 6,5  | 6,3   | 14   | <b>5176 024 003</b> | 10       |
| 4,0  | 65    | 39    | 6    | 8,5  | 7,5   | 18   | <b>5176 024 004</b> | 10       |
| 5,0  | 80    | 50    | 7    | 10,0 | 9,0   | 22   | <b>5176 024 005</b> | 5        |
| 6,0  | 94    | 62    | 8    | 12,5 | 12,5  | 28   | <b>5176 024 006</b> | 5        |
| 8,0  | 124   | 85    | 10   | 14,5 | 16,0  | 32   | <b>5176 024 008</b> | 5        |
| 10,0 | 142   | 90    | 12   | 16,4 | 18,0  | 36   | <b>5176 024 010</b> | 5        |
| 12,0 | 160   | 105   | 16   | 19,3 | 20,0  | 40   | <b>5176 024 012</b> | 5        |

A4/AISI 316

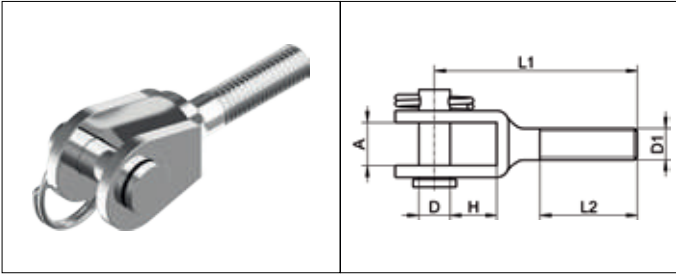
## Terminal Uç, Dişi



| Ø mm | D mm | A mm | L2 mm | D1 mm | H mm | Art.No.      | Amb. Ad. |
|------|------|------|-------|-------|------|--------------|----------|
| 2    | 5    | 6,0  | 24    | 5,5   | 8    | 5176 022 002 | 10       |
| 3    | 6    | 7,5  | 32    | 6,5   | 10   | 5176 022 003 | 10       |
| 4    | 8    | 11,0 | 40    | 7,5   | 11   | 5176 022 004 | 10       |
| 5    | 9    | 12,0 | 57    | 9,0   | 14   | 5176 022 005 | 5        |
| 6    | 12   | 14,0 | 63    | 12,5  | 20   | 5176 022 006 | 5        |
| 8    | 16   | 17,0 | 85    | 16,0  | 26   | 5176 022 008 | 5        |
| 10   | 19   | 20,0 | 90    | 18,0  | 30   | 5176 022 010 | 5        |
| 12   | 19   | 23,0 | 105   | 20,0  | 35   | 5176 022 012 | 5        |

A4/AISI 316

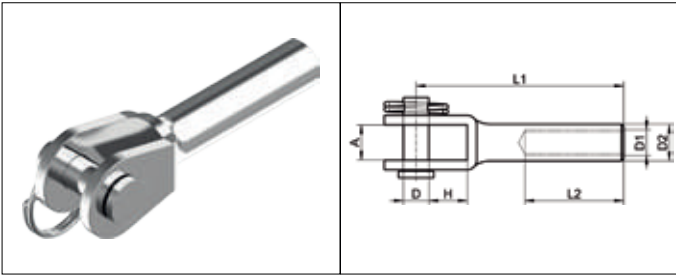
## Terminal, Sağdan Dişli



| D1 mm | L1 mm | L2 mm | H mm | A mm | D mm | Art.No.      | Amb. Ad. |
|-------|-------|-------|------|------|------|--------------|----------|
| M6    | 47    | 25    | 10   | 8    | 6    | 5176 062 006 | 10       |
| M8    | 52    | 25    | 12   | 10   | 8    | 5176 062 008 | 10       |
| M10   | 72    | 45    | 14   | 12   | 10   | 5176 062 010 | 10       |

A4/AISI 316

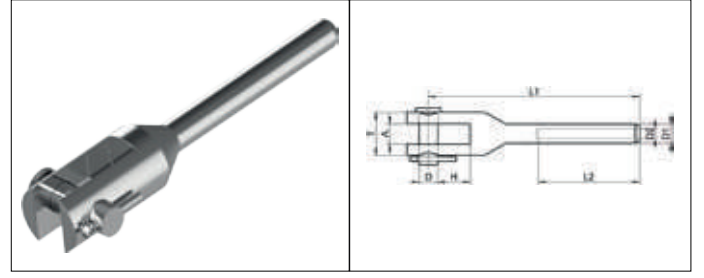
## Terminal, Kapalı, Sağdan Dişli



| D1 mm | L1 mm | L2 mm | A mm | D mm | H mm | D2 mm | Art.No.      | Amb. Ad. |
|-------|-------|-------|------|------|------|-------|--------------|----------|
| M6    | 60    | 30    | 9    | 6    | 10   | 8     | 5176 047 006 | 10       |
| M8    | 65    | 31    | 10   | 8    | 12   | 12    | 5176 047 008 | 10       |
| M10   | 70    | 40    | 12   | 10   | 12   | 14    | 5176 047 010 | 5        |

A4/AISI 316

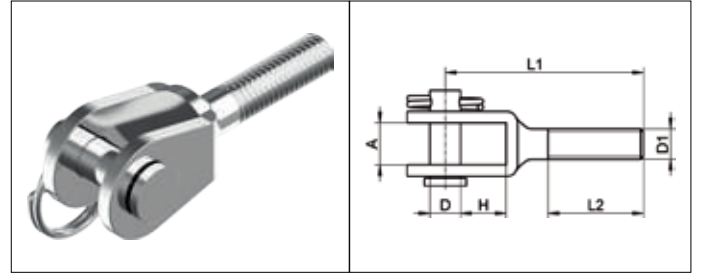
## Terminal Uç, Dişi,



| Ø mm | D mm | A mm | L2 mm | D1 mm | H mm | Art.No.      | Amb. Ad. |
|------|------|------|-------|-------|------|--------------|----------|
| 3    | 6    | 7    | 39    | 6,5   | 10   | 5176 023 003 | 10       |
| 4    | 8    | 11   | 45    | 8,0   | 11   | 5176 023 004 | 10       |
| 5    | 9    | 12   | 52    | 9,0   | 14   | 5176 023 005 | 5        |
| 6    | 12   | 14   | 64    | 13,0  | 20   | 5176 023 006 | 5        |
| 8    | 16   | 17   | 80    | 16,0  | 26   | 5176 023 008 | 5        |

A4/AISI 316

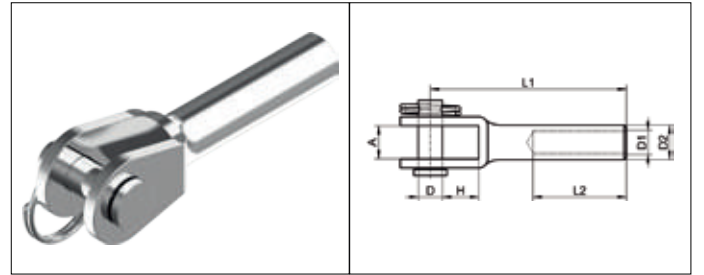
## Terminal, Soldan Dişli



| D1 mm | L1 mm | L2 mm | H mm | A mm | D mm | Art.No.      | Amb. Ad. |
|-------|-------|-------|------|------|------|--------------|----------|
| M6    | 47    | 25    | 10   | 8    | 6    | 5176 063 006 | 10       |
| M8    | 52    | 25    | 12   | 10   | 8    | 5176 063 008 | 10       |
| M10   | 72    | 45    | 14   | 12   | 10   | 5176 063 010 | 10       |

A4/AISI 316

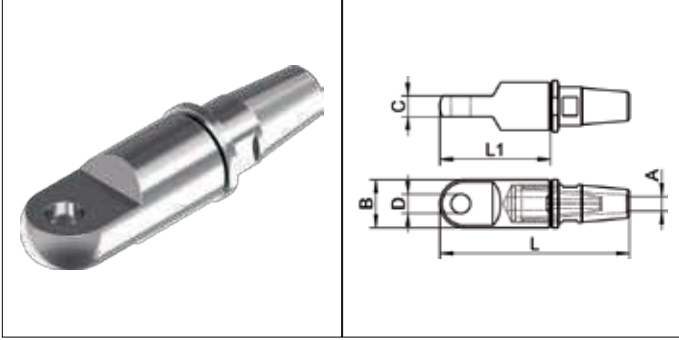
## Terminal, Kapalı, Soldan Dişli



| D1 mm | L1 mm | L2 mm | A mm | D mm | H mm | D2 mm | Art.No.      | Amb. Ad. |
|-------|-------|-------|------|------|------|-------|--------------|----------|
| M6    | 60    | 30    | 9    | 6    | 10   | 8     | 5176 048 006 | 10       |
| M8    | 65    | 31    | 10   | 8    | 12   | 12    | 5176 048 008 | 10       |
| M10   | 70    | 40    | 12   | 10   | 12   | 14    | 5176 048 010 | 5        |

A4/AISI 316

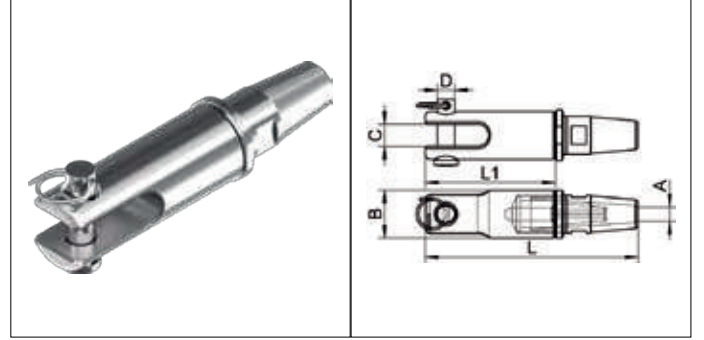
## Norsmen, Salyangoz



| Ø mm | A mm | B mm | C mm | D mm | L mm | L1 mm | Art.-Nr.            | Amb. Ad. |
|------|------|------|------|------|------|-------|---------------------|----------|
| 4    | 4,5  | 18   | 7    | 8    | 71   | 40    | <b>5176 028 004</b> | 1        |
| 5    | 6,0  | 20   | 9    | 10   | 91   | 45    | <b>5176 028 005</b> | 1        |
| 6    | 7,0  | 24   | 10   | 13   | 98   | 55    | <b>5176 028 006</b> | 1        |
| 8    | 9,0  | 30   | 13   | 15   | 121  | 69    | <b>5176 028 008</b> | 1        |
| 10   | 11,0 | 36   | 13   | 15   | 152  | 80    | <b>5176 028 010</b> | 1        |

A4/AISI 316

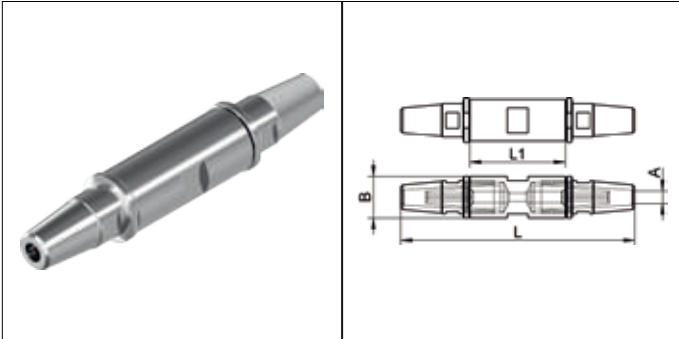
## Norsmen, Dişi



| Ø mm | A mm | B mm | C mm | D mm | L mm | L1 mm | Art.-Nr.            | Amb. Ad. |
|------|------|------|------|------|------|-------|---------------------|----------|
| 4    | 4,5  | 18   | 8    | 6,0  | 76   | 45    | <b>5176 029 004</b> | 1        |
| 5    | 6,0  | 20   | 10   | 8,0  | 98   | 52    | <b>5176 029 005</b> | 1        |
| 6    | 7,0  | 24   | 11   | 10,0 | 106  | 63    | <b>5176 029 006</b> | 1        |
| 8    | 9,0  | 30   | 14   | 10,5 | 134  | 82    | <b>5176 029 008</b> | 1        |
| 10   | 11,0 | 36   | 14   | 12,5 | 166  | 94    | <b>5176 029 010</b> | 1        |

A4/AISI 316

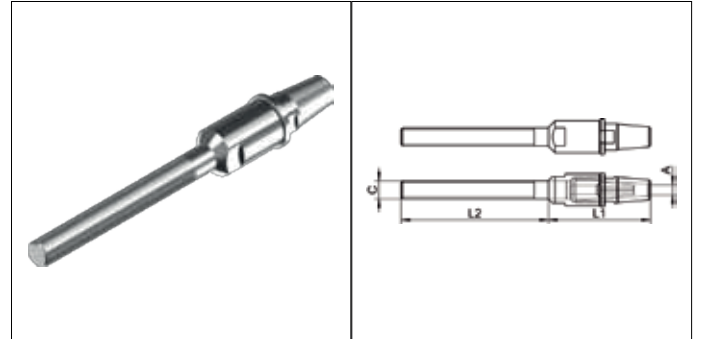
## Terminal, Çift Konnektörlü



| Ø mm | A mm | B mm | L mm | L1 mm | Art.-Nr.            | Amb. Ad. |
|------|------|------|------|-------|---------------------|----------|
| 4    | 4,5  | 18   | 71   | 40    | <b>5176 030 004</b> | 1        |
| 5    | 6,0  | 20   | 129  | 45    | <b>5176 030 005</b> | 1        |
| 6    | 7,0  | 24   | 98   | 55    | <b>5176 030 006</b> | 1        |
| 8    | 9,0  | 30   | 121  | 69    | <b>5176 030 008</b> | 1        |
| 10   | 11,0 | 36   | 152  | 80    | <b>5176 030 010</b> | 1        |

A4/AISI 316

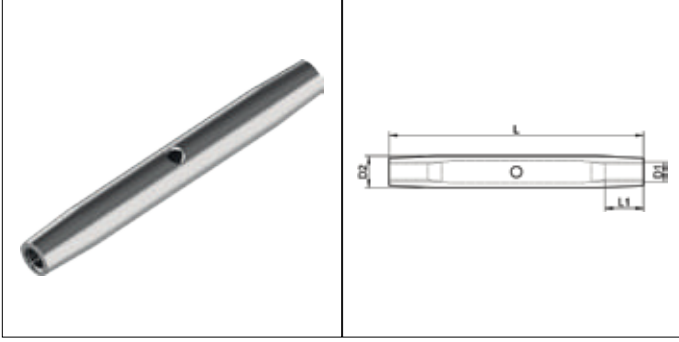
## Terminal, Norsmenli



| Ø mm | A mm | B mm | C mm | L2 mm | L1 mm | Art.-Nr.            | Amb. Ad. |
|------|------|------|------|-------|-------|---------------------|----------|
| 4    | 4,5  | 18   | M8   | 75    | 54    | <b>5176 031 004</b> | 1        |
| 5    | 6,0  | 20   | M10  | 100   | 72    | <b>5176 031 005</b> | 1        |
| 6    | 7,0  | 24   | M12  | 125   | 75    | <b>5176 031 006</b> | 1        |
| 8    | 9,0  | 30   | M16  | 150   | 92    | <b>5176 031 008</b> | 1        |
| 10   | 11,0 | 36   | M16  | 150   | 117   | <b>5176 031 010</b> | 1        |

A4/AISI 316

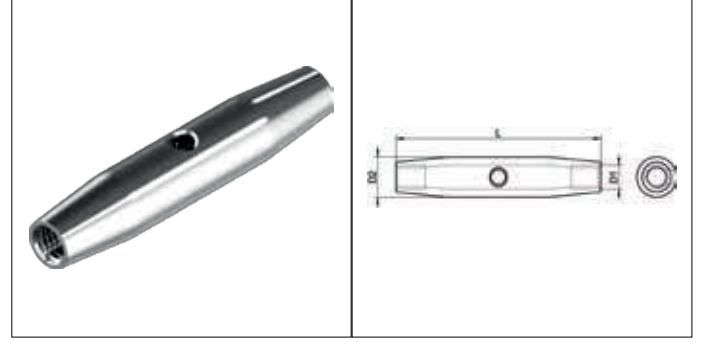
## Liftin Kovanı, Kapalı Gövde



| D1 mm | L mm | L1 mm | D2 mm | Art.No.             | Amb. Ad. |
|-------|------|-------|-------|---------------------|----------|
| M6    | 95   | 12    | 10    | <b>5176 026 006</b> | 10       |
| M8    | 105  | 16    | 13    | <b>5176 026 008</b> | 10       |
| M10   | 125  | 20    | 17    | <b>5176 026 010</b> | 5        |
| M12   | 150  | 24    | 21    | <b>5176 026 012</b> | 5        |
| M14   | 165  | 28    | 21    | <b>5176 026 014</b> | 5        |
| M16   | 190  | 32    | 26    | <b>5176 026 016</b> | 1        |
| M20   | 210  | 40    | 33    | <b>5176 026 020</b> | 1        |

A4/AISI 316

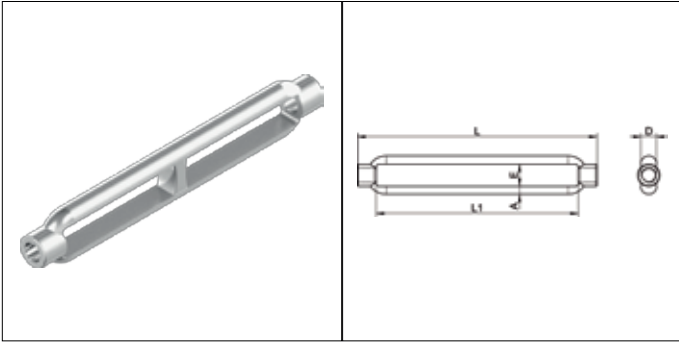
## Liftin Kovanı, Kapalı, Mini



| D1 mm | L mm | D2 mm | Art.No.             | Amb. Ad. |
|-------|------|-------|---------------------|----------|
| M6    | 65   | 10    | <b>5176 049 006</b> | 10       |
| M8    | 70   | 13,5  | <b>5176 049 008</b> | 10       |
| M10   | 85   | 17,2  | <b>5176 049 010</b> | 5        |

A4/AISI 316

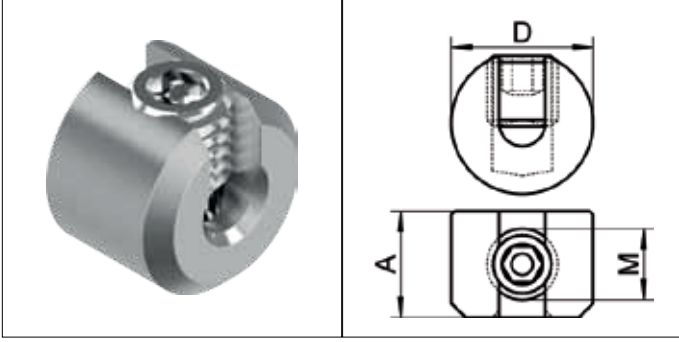
## Liftin Kovanı, Kapalı, Mini



| D mm | L mm | L1 mm | A mm | E mm | Art.No.             | Amb. Ad. |
|------|------|-------|------|------|---------------------|----------|
| M6   | 90   | 68    | 4    | 11   | <b>5176 100 006</b> | 10       |
| M8   | 120  | 93    | 4    | 11   | <b>5176 100 008</b> | 10       |
| M10  | 150  | 120   | 5    | 14   | <b>5176 100 010</b> | 5        |
| M12  | 200  | 164   | 6    | 18   | <b>5176 100 012</b> | 5        |
| M16  | 250  | 205   | 8    | 23   | <b>5176 100 016</b> | 1        |

A4/AISI 316

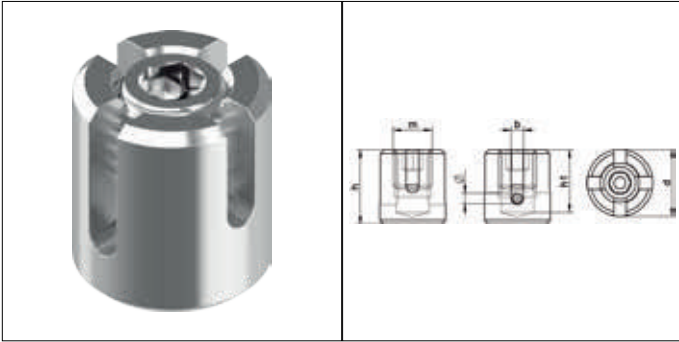
## Çelik Halat Kelepçesi



| Ø mm | D mm | A mm | M mm | Art.No.             | Amb. Ad. |
|------|------|------|------|---------------------|----------|
| 2    | 10   | 8    | M4   | <b>5176 038 002</b> | 10       |
| 3    | 15   | 12   | M6   | <b>5176 038 003</b> | 10       |
| 4    | 15   | 12   | M8   | <b>5176 038 004</b> | 10       |
| 5    | 20   | 15   | M10  | <b>5176 038 005</b> | 10       |
| 6    | 20   | 15   | M10  | <b>5176 038 006</b> | 10       |

A4/AISI 316

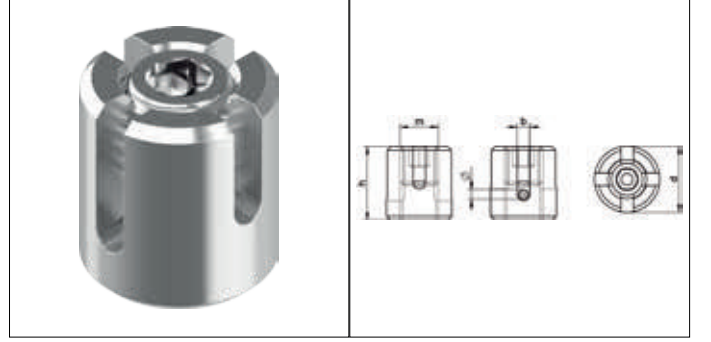
## Çelik Halat Kelepçesi, Kapalı



| Ø mm | d mm | h mm | m mm | h1 mm | b mm | Art.No.             | Amb. Ad. |
|------|------|------|------|-------|------|---------------------|----------|
| 2    | 17   | 18   | M10  | 15,5  | 2,2  | <b>5176 035 002</b> | 10       |
| 3    | 17   | 19   | M10  | 16,0  | 3,2  | <b>5176 035 003</b> | 10       |
| 4    | 20   | 21   | M12  | 18,0  | 4,2  | <b>5176 035 004</b> | 10       |
| 5    | 20   | 23   | M12  | 20,0  | 5,2  | <b>5176 035 005</b> | 5        |
| 6    | 20   | 25   | M12  | 21,5  | 6,2  | <b>5176 035 006</b> | 5        |

A4/AISI 316

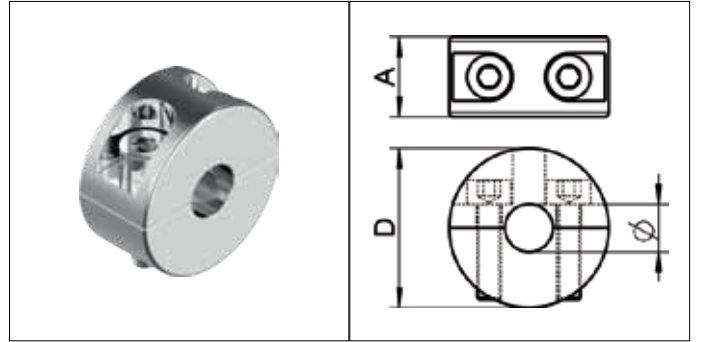
## Çelik Halat Kelepçesi, Açık



| Ø mm | d mm | h mm | m mm | b mm | Art.No.             | Amb. Ad. |
|------|------|------|------|------|---------------------|----------|
| 3    | 17   | 19   | M10  | 3,2  | <b>5176 036 003</b> | 10       |
| 4    | 20   | 21   | M12  | 4,2  | <b>5176 036 004</b> | 10       |
| 5    | 20   | 23   | M12  | 5,2  | <b>5176 036 005</b> | 5        |

A4/AISI 316

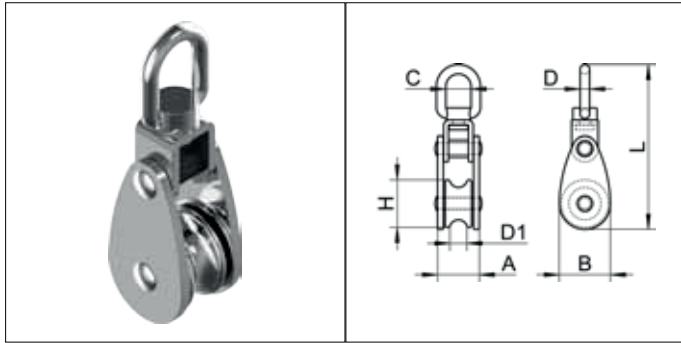
## Çelik Halat Kelepçe Yüzüğü



| Ø mm | d mm | h mm | Art.No.             | Amb. Ad. |
|------|------|------|---------------------|----------|
| 2    | 16   | 10   | <b>5176 037 002</b> | 10       |
| 3    | 16   | 10   | <b>5176 037 003</b> | 10       |
| 4    | 16   | 10   | <b>5176 037 004</b> | 10       |
| 5    | 20   | 10   | <b>5176 037 005</b> | 10       |

A4/AISI 316

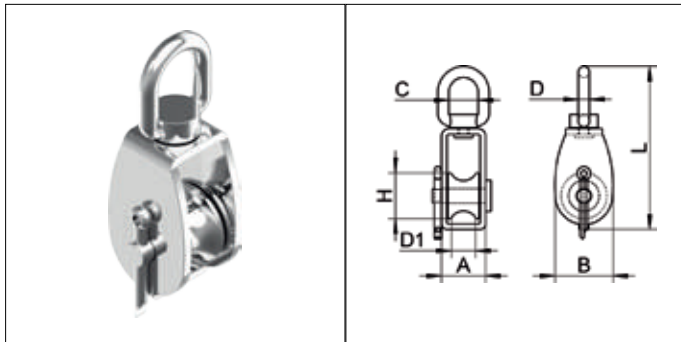
### Makara



| Type | H mm | D1 mm | L mm | C mm | D mm | A mm | B mm | Art.No.             | Amb. Ad. |
|------|------|-------|------|------|------|------|------|---------------------|----------|
| A    | 25   | 10    | 88   | 13   | 5    | 27   | 24   | <b>5176 053 390</b> | 5        |
| B    | 32   | 10    | 98   | 13   | 6    | 35   | 42   | <b>5176 053 391</b> | 5        |
| C    | 50   | 14    | 142  | 20   | 8    | 54   | 54   | <b>5176 053 392</b> | 5        |

A2/AISI 304

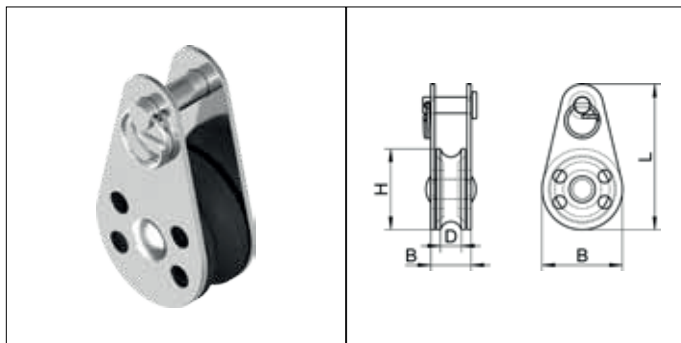
### Makara



| Type | H mm | D1 mm | L mm | C mm | D mm | A mm | B mm | Art.No.             | Amb. Ad. |
|------|------|-------|------|------|------|------|------|---------------------|----------|
| A    | 25   | 12    | 88   | 15   | 6    | 30   | 24   | <b>5176 053 396</b> | 4        |
| B    | 32   | 12    | 98   | 16   | 6    | 36   | 24   | <b>5176 053 397</b> | 4        |
| C    | 50   | 15    | 142  | 20   | 8    | 54   | 28   | <b>5176 053 398</b> | 4        |

A2/AISI 304

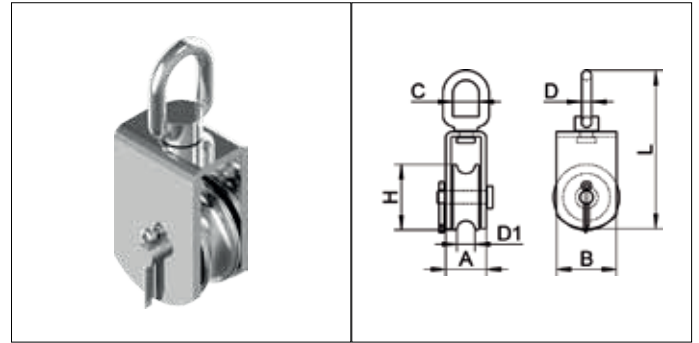
### Makara



| D mm | H mm | B mm | L mm | Art.No.             | Amb. Ad. |
|------|------|------|------|---------------------|----------|
| 6,5  | 25   | 25   | 45   | <b>5176 053 399</b> | 4        |

A2/AISI 304

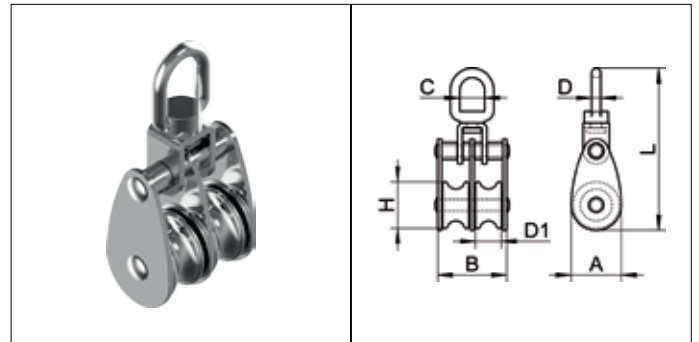
### Makara



| Type | H mm | L mm | A mm | B mm | Art.No.             | Amb. Ad. |
|------|------|------|------|------|---------------------|----------|
| A    | 50   | 127  | 14,0 | 52   | <b>5176 053 393</b> | 4        |
| B    | 75   | 170  | 15,0 | 78   | <b>5176 053 394</b> | 4        |
| C    | 100  | 205  | 17,5 | 104  | <b>5176 053 395</b> | 4        |

A2/AISI 304

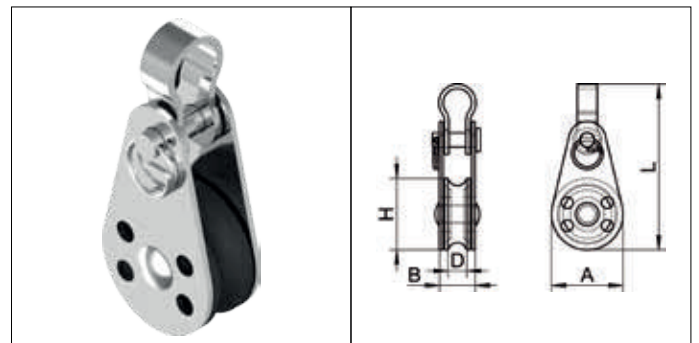
### Makara



| Type | H mm | D1 mm | L mm | C mm | D mm | A mm | B mm | Art.No.             | Amb. Ad. |
|------|------|-------|------|------|------|------|------|---------------------|----------|
| A    | 25   | 10    | 88   | 13   | 5    | 27   | 37   | <b>5176 053 401</b> | 4        |
| B    | 32   | 10    | 98   | 13   | 6    | 35   | 42   | <b>5176 053 402</b> | 4        |
| C    | 50   | 14    | 142  | 20   | 8    | 54   | 54   | <b>5176 053 403</b> | 4        |

A2/AISI 304

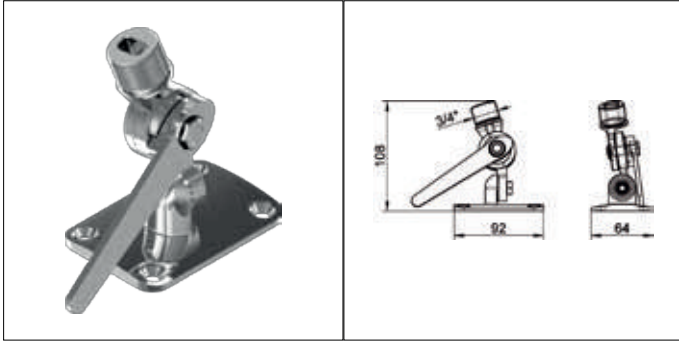
### Makara



| D mm | H mm | A mm | L mm | Art.No.             | Amb. Ad. |
|------|------|------|------|---------------------|----------|
| 6,5  | 25   | 25   | 57   | <b>5176 053 400</b> | 4        |

A2/AISI 304

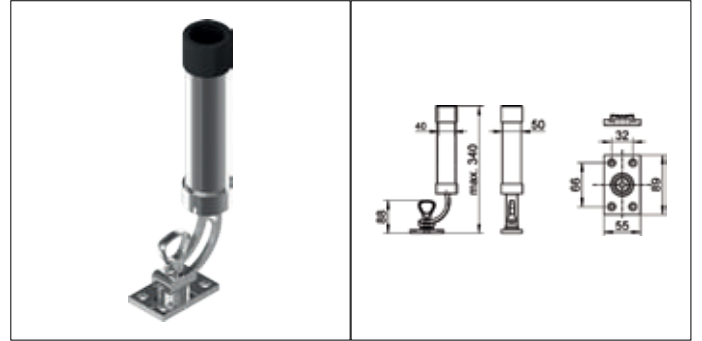
### Anten Montaj Braketi



| G x F mm | H mm | R mm | Art.No.             | Amb. Ad. |
|----------|------|------|---------------------|----------|
| 92 x 64  | 108  | 3/4" | <b>5176 053 355</b> | 1        |

A4/AISI 316

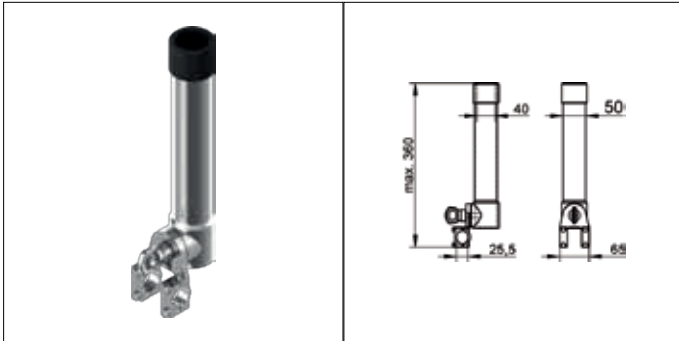
### Olta Tutucu



| L mm | D mm | A mm | B mm | Art.No.             | Amb. Ad. |
|------|------|------|------|---------------------|----------|
| 340  | 40   | 89   | 55   | <b>5176 053 358</b> | 1        |

A4/AISI 316

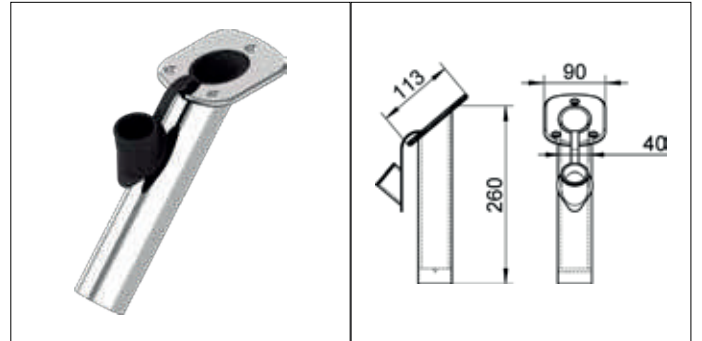
### Olta Tutucu, Raya Sabitlemeli



| L mm | D mm | B mm | E mm | Art.No.             | Amb. Ad. |
|------|------|------|------|---------------------|----------|
| 360  | 40   | 65   | 25,5 | <b>5176 053 357</b> | 1        |

A4/AISI 316

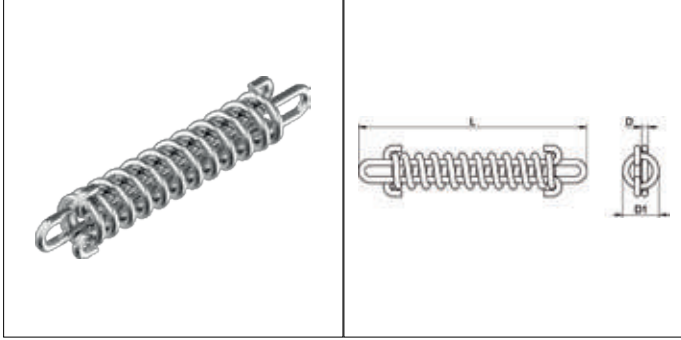
### Olta Tutucu, Kapaklı



| L mm | D mm | A mm | B mm | Art.No.             | Amb. Ad. |
|------|------|------|------|---------------------|----------|
| 260  | 40   | 113  | 90   | <b>5176 053 359</b> | 1        |

A4/AISI 316

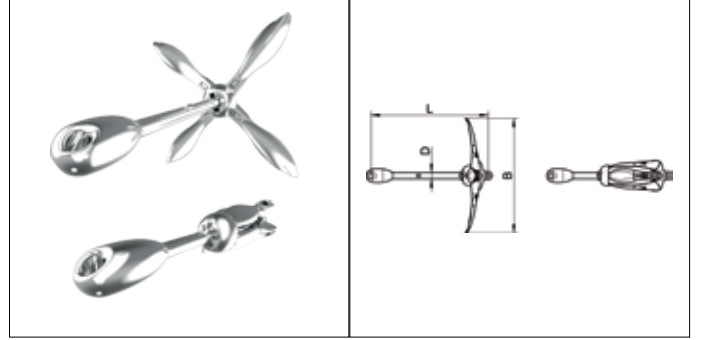
## Halat Esnetme Yayı



| L mm | D mm | D1 mm | Art.No.             | Amb. Ad. |
|------|------|-------|---------------------|----------|
| 270  | 6    | 65    | <b>5176 053 347</b> | 1        |
| 320  | 7    | 73    | <b>5176 053 346</b> | 1        |
| 390  | 9    | 84    | <b>5176 053 345</b> | 1        |
| 410  | 11   | 90    | <b>5176 053 348</b> | 1        |

A2/AISI 304

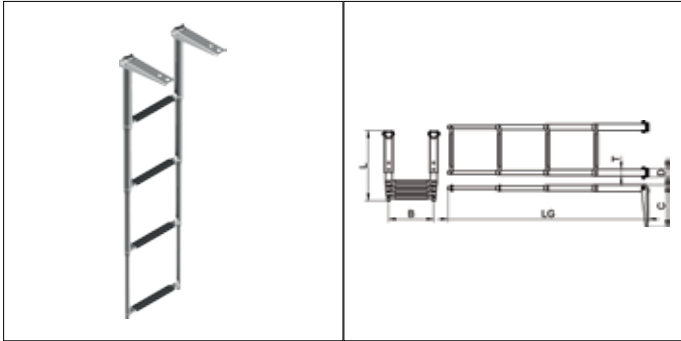
## Şemsiye Çapa



| Gewicht kg | L mm | B mm | Art.No.             | Amb. Ad. |
|------------|------|------|---------------------|----------|
| 2,5        | 340  | 330  | <b>5176 053 352</b> | 1        |
| 4,0        | 410  | 400  | <b>5176 053 353</b> | 1        |
| 6,0        | 465  | 520  | <b>5176 053 354</b> | 1        |

A4/AISI 316

## Teleskopik Merdiven



| Number of steps | LG mm | B mm | C mm | L mm | Art.No.             | Amb. Ad. |
|-----------------|-------|------|------|------|---------------------|----------|
| 2               | 595   | 254  | 178  | 340  | <b>5176 053 349</b> | 1        |
| 3               | 870   | 254  | 178  | 375  | <b>5176 053 350</b> | 1        |
| 4               | 1.160 | 254  | 245  | 410  | <b>5176 053 351</b> | 1        |

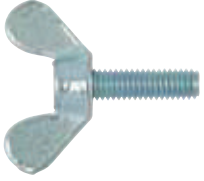
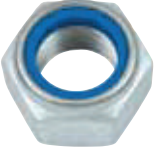
A4/AISI 316

## Bidonlar



| Type                             | Art.No.             | Amb. Ad. |
|----------------------------------|---------------------|----------|
| A Bidon 10 Litre A2/AISI 304     | <b>5176 053 421</b> | 1        |
| B Ağızlık Litre A2/AISI 304      | <b>5176 053 423</b> | 1        |
| C Ağızlık Esnek Galvanizli Çelik | <b>5176 053 424</b> | 1        |
| D Bidon 20 Litre A2/AISI 304     | <b>5176 053 422</b> | 1        |

# PASLANMAZ BAĞLANTI ELEMANLARINDA TÜM ÜRÜN YELPAZEMİZE BAĞLANTI ELEMANLARI KATALOĞUMUZDAN ULAŞABİLİRSİNİZ.

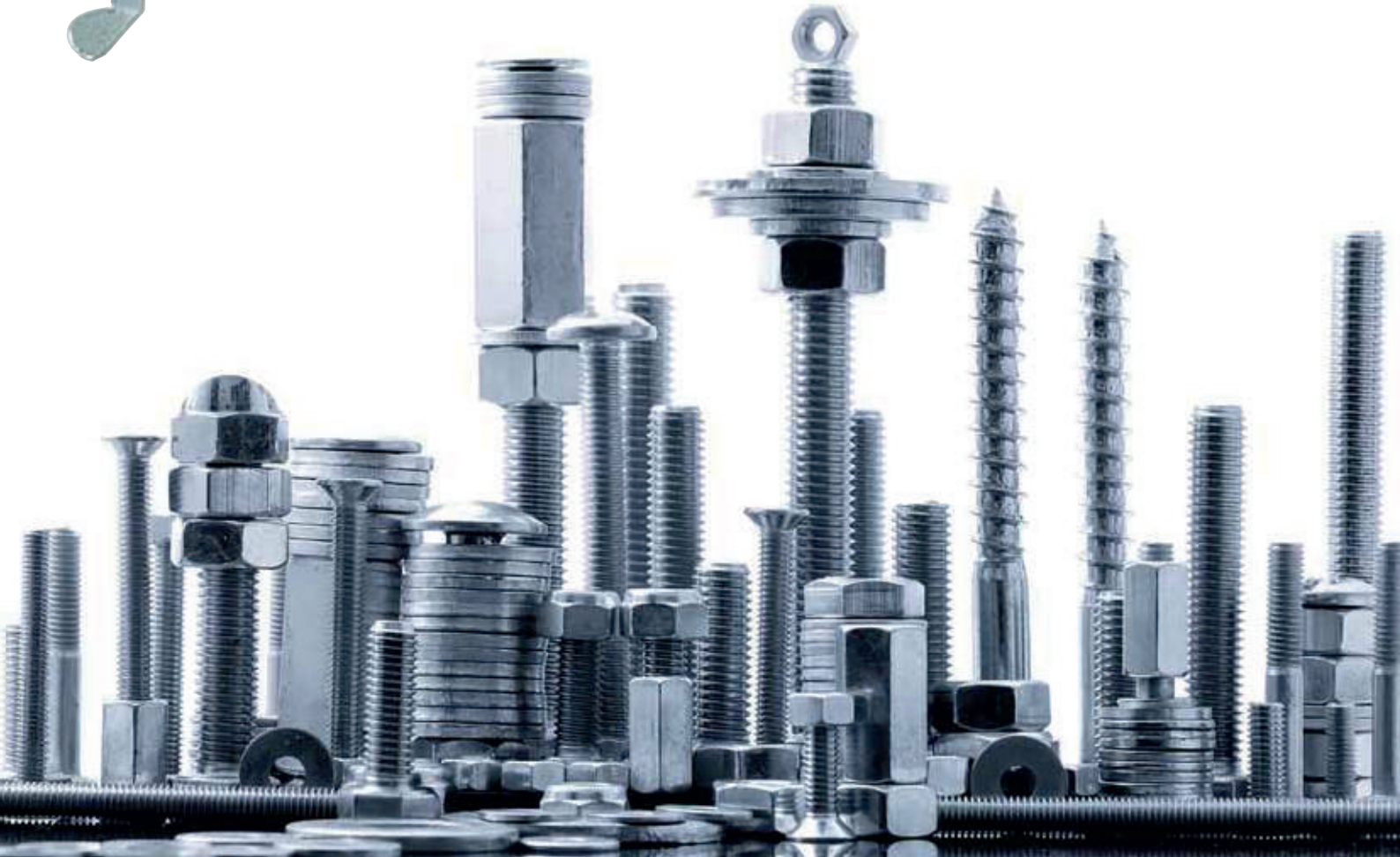


**75 Yılı aşkın süredir, her zaman yanınızdayız.**

Würth vida, civata, somun, rondela ve tüm bağlantı elemanlarında her zaman ve her konuda en güvenilir iş ortağınızdır.

Ürünlerimizi aşağıda bulunan link üzerinden inceleyebilirsiniz.

[www.eshop.wurth.com.tr/tr/TR/TRY/](http://www.eshop.wurth.com.tr/tr/TR/TRY/)



# **PASLANMAZ MARİN AKSESUARLARI**

